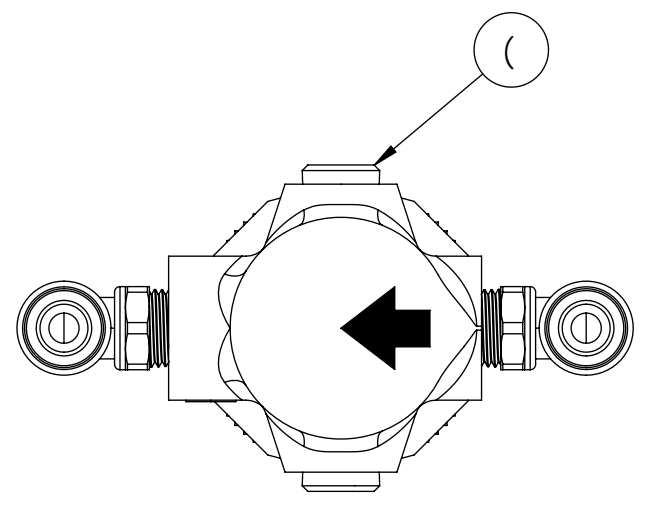
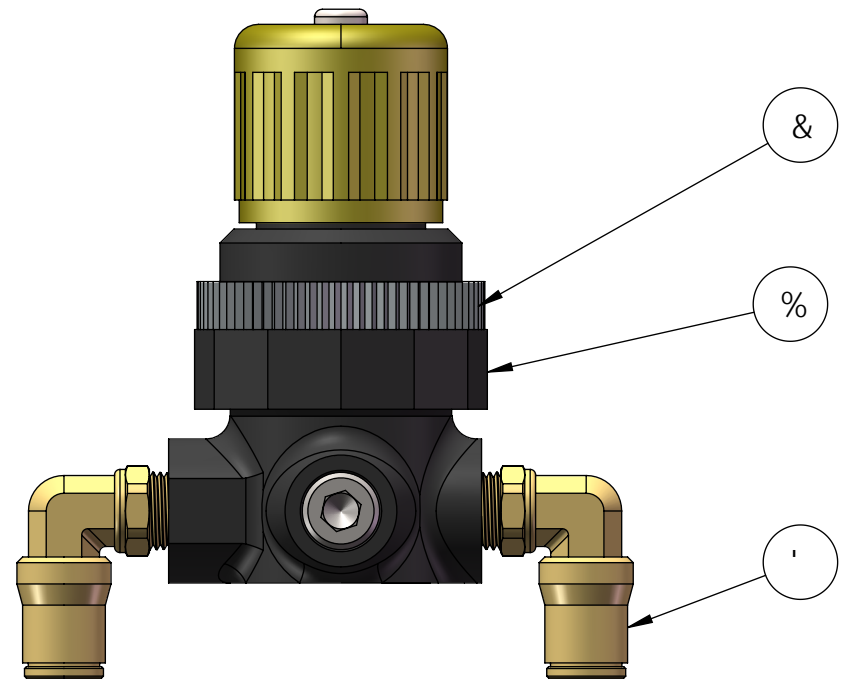


BC H9Gfl B @9GG C Hk 9FK 69GD97 ÷ 98L  
 %'6F95? '5@@G<5FD'98; 9G  
 &"F9A C J 9'5@6I FFG: C F'G5: 9'<5B8@B;



F9J 6CBG					
97 F	F9J 6CB	89G7 F DHC B	7<5B: 98'6M	85H9	5DDFC J 98'6M
' +%	5	B9K F9@95G9	76	(#%/#&\$%)	FH

#9A 'BC "	D5FHBI A 69F	89G7 F DHC B	E HM
%	%* \$\$	DF9GGI F9'F9; I @5HC F	%
&	(( &	BI HD5B9@: C F '%* \$\$'F9; I @5HC F	%
'	, %%	: #HB; 'E 7 '%#('H 69'L '%#('BDHBG	&
(	%@)'	D@ ; !D@9'%, 'BDHG?H	&

**DFCDF 9H5FM5B8'7CB: 89BH5 @**  
VPOA QJUT CVQIP OUPVCD OOA APW OUCY Q OAWPOA  
 UUSOAJUU OUVYAU 5 DG7 C bWAE YAUOUU OWOVPA A  
 UOEVAUUA EAY PUSOAY QPUWAY UQVOPAUOUT QUWP AUZA  
 5 DG7 C bWAE YAUOUU OWOVPA A

HMD9C: DFC >97 HCB		A 5H9F5@
		B#5
Hk-F8'5B; @9DFC >97 HCB		

8F5K B	85H9	: B G<
76	(#%/#&\$%)	
7<97'98	85H9	
86	(#%/#&\$%)	
5DDFC J 98	85H9	B#5
?H	(#%/#&\$%)	
:B5@	85H9	
FH	(#%/#&\$%)	

,%, '95GH((H<'GHF99H  
 HI @35ZC?'+(%)  
 fl % L\* &&)\* \$\$

H#@9. F9; I @5HC F? #HK #: #HB; G

I B @9GG C Hk 9FK 69GD97 ÷ 98 8 A 9BGC BG5F9'B 7<9G HC @F5B7 9G5F9.		8K ; "'BC "
897 A 5@G	GF: 579: B 6<. '*	F?!%* \$\$!<;
"L'1'±"\$*	5B: @9G±&°	G<99HGAP
"LL'1'±"\$	<C @9G±"\$)	G7 5@9
"LLL'1'±"\$%	<C @9G@C 75HC B ±"\$)	F9J 6CB
8C BCHG7 5@98F5K B;		<b>Ó</b>
: #B. F?!%* \$\$!<;		<b>FK</b>
		<b>5</b>
		G<H'%C: %