



## GENERAL PRODUCT CATALOG



DUMP



BULK TRANSFER



SNOW & ICE



REFUSE & WASTE



REFUSE & WASTE



OIL & GAS



## HYDRAULICS

SS140P	Propane Stabilizing System	SECTION 1	1-1
SS510P	Hydraulic Cooling System		1-3
ReelFlow	Hydraulic Hose Reel System		1-5
Adapters	Pump Adapters		1-7
SS934	Hydraulic Cooling System		1-8
ARC-30S	Oil Cooling System		1-10
ARC-45	Oil Cooling System		1-12
ARC-60	Oil Cooling System		1-14
Adapters	Hydraulic Reservoir Cooler Adapters		1-16
SS675	Hydraulic Cooling System		1-19
AM2	Performance Motor		1-21
AM4	Performance Motor		1-25
AP20	Performance Pump		1-27
AP51	Performance Pump		1-29
APG-20/35	Directional Control Valves		1-31
APV-20	Directional Control Valves		1-33
APSV-100	Selector Valves		1-35
APTV-100	Tipper Valves		1-37

## CONSOLES

Dump Truck Consoles	SECTION 2	2-1
Snow & Ice Consoles		2-3
Winch Truck Consoles		2-4
Modular Expansion Consoles		2-5
Custom Console Consoles		2-6
Lift Axle Control Panels		2-7
Lift Axle Control Enclosures		2-8

## CYLINDERS

Tailgate Latch Cylinders	SECTION 3	3-1
Tailgate Highlift Cylinders		3-3
Belly Dump Cylinders		3-5
Clevis		3-6
Clevis Pin		3-7
Cylinder Sizing Worksheet		3-8

## ACTUATORS

Dump Pump Actuators	SECTION 4	4-1
Hydraulic Valve Actuators		4-2

## AV SERIES

AV Series Valves	SECTION 5	5-1
AV Series Console Base		5-2
AVC 195 / AVC-295 Consoles		5-3
AVC-195 / AVC-295 Assembly Part Numbers		5-4
Air to Electric Kit		5-5

## VM SERIES

VM Single Axis	SECTION 6	6-1
VM Multibank Valve Assemblies		6-2
VM Dual Axis		6-2
VM Consoles		6-3
VM Pedestals		6-4
VM Kits		6-5

## AIR VALVES

3-Way Air Valves	SECTION 7	7-1
4-Way Air Valves		7-2
Air Toggle Valves		7-3
Electric Solenoid Air Valves		7-6
Air Rocker Valves		7-6
Specialty Air Valves		7-7
Lift/Latch Tailgate Sequence Valves		7-8

## ELECTRICAL

VR Electric Rocker Switches	SECTION 8	8-1
VRN Electric Rocker Switches		8-1
Electric Toggle & Button Switches		8-2
Electric Lights & Buzzers		8-2
Hole Plugs & Adapters		8-4
Bed-Up Indicator Kit		8-5
Auxiliary Fuse Panels		8-5

## AIR KITS

Winch Kits	SECTION 9	9-1
PTO Kits		9-3
Clutch Kits		9-3
Compressor Kits		9-4
Air to Electric Kit		9-5

## SEAL KITS

Cylinder Seal Kits	SECTION 10	10-1
Actuator Seal Kits		10-2
VM-Series Kits		10-3
Air Valve Kits		10-3

APSCO WARRANTY / TERMS & CONDITIONS	11-1
PART NUMBER INDEX	AA

Should you not find what you are looking for, contact us at (918) 622-5600

Visit [www.apscopower.com](http://www.apscopower.com) for additional part numbers, installation instructions and dimensional drawings



## SS140P PROPANE STABILIZING SYSTEM

The patented SS140P utilizes a small amount of the propane pumping to cool the hydraulic system. This propane is vaporized by the hydraulic oil and then returned into the tank, stabilizing the system. This eliminates the fan motor, producing a smooth and quiet design. In addition, by adding positive head pressure to the pump, we reduce product pump cavitation which increases pump flow rates and reduces maintenance costs.



**FOR USE ONLY WITH PROPANE BOBTAILS AND TRANSPORTS**

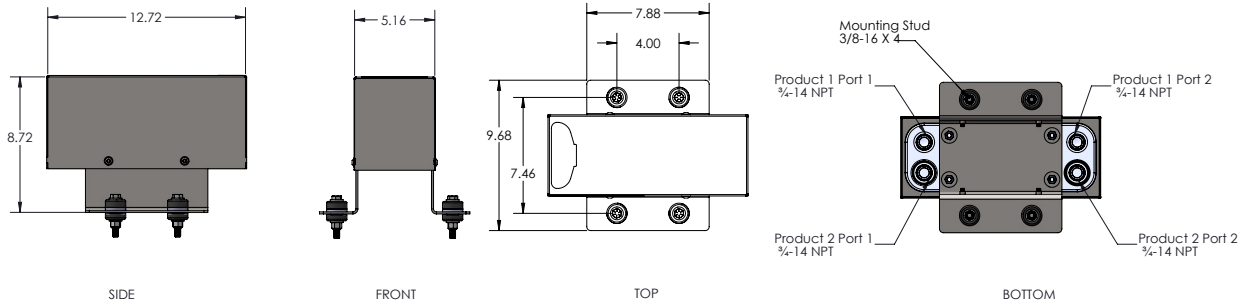
**INSTALLER MUST HAVE VALID CT LICENSE TO INSTALL APSCO PROPANE SYSTEM PRODUCTS**

BETTER PERFORMANCE	COMPACT DESIGN	INCREASED DURABILITY	EASY INSTALLATION
<ul style="list-style-type: none"> <li>● Improves propane product pump performance - flow</li> <li>● Reduces tendency to vapor lock or cavitate product pump</li> <li>● Can be used with hydraulic or mechanical pumping systems</li> <li>● UL listed</li> <li>● ASME certified - pressure boundary</li> </ul>	<ul style="list-style-type: none"> <li>● 9.7" wide mounting flange</li> <li>● Cooling fan is not required</li> <li>● Only 12.7" tall</li> <li>● Uses &lt; 10" of frame rail space</li> <li>● 9.7" wide x 8.7" deep x 12.7" tall</li> </ul>	<ul style="list-style-type: none"> <li>● Proven performance since 2004</li> <li>● Corrosion resistant stainless steel construction</li> <li>● Low maintenance - no moving parts</li> <li>● Industry leading 2 year warranty</li> </ul>	<ul style="list-style-type: none"> <li>● Lightweight - 17 LBS</li> <li>● Mount behind-the-cab or on the frame rail</li> <li>● NPT port connections</li> </ul>

Should you not find what you are looking for, contact us at (918) 622-5600

Visit [www.apscopower.com](http://www.apscopower.com) for additional part numbers, installation instructions and dimensional drawings





**FOR USE ONLY WITH PROPANE BOBTAILS AND TRANSPORTS**

**INSTALLER MUST HAVE VALID CT LICENSE TO INSTALL APSCO PROPANE SYSTEM PRODUCTS**

Model	Pressure (PSI)	Weight (LBS)
SS 140P	435	17

- Slimline or Box ..... Slimline
- Product Ports ..... 3/4 NPT (Female)
- Fan ..... Not required
- Basic Dimensions (L x W x H) ..... 8.7 x 9.7 x 12.7"
- Finish ..... Stainless Steel
- Weight ..... 17 LBS dry
- Warranty ..... 2 years

**NOTICE**

**PURCHASER/INSTALLER** before proceeding be sure to check the following:

- 1) Do you have a valid CT License? Proceed no further unless you have supplied APSCO with a copy of your CT License.
- 2) This system must be installed and operated in accordance with all DOT regulations and according to the instructions contained inside this manual.
- 3) **PURCHASER/INSTALLER** must have adequate training on how to operate this system.
- 4) Failure to follow these instructions will void any product warranty and subject the **PURCHASER/INSTALLER** to any and all potential liabilities associated with this product and/or its use.

We have been designing Thermaflow™ hydraulic systems since 1989! We'll design a hydraulic drive to fit your application. Besides the Model SS140P, we offer a number of other models that can fit higher horsepower applications or custom design a cooling system to your needs.

**FOOD GRADE - CHEMICAL - COMPRESSED GAS - CRUDE OIL - VACUUM PUMPS - COMBO DRIVES**



## SS510P

### HYDRAULIC RESERVOIR, FILTER, AND COOLING SYSTEM

The patented SS510P utilizes a small amount of the propane pumping to cool the hydraulic system. This propane is vaporized by the hydraulic oil and then returned into the tank, stabilizing the system. This eliminates the fan motor, producing a smooth and quiet design. In addition, by adding positive head pressure to the pump, we reduce product pump cavitation which increases pump flow rates and reduces maintenance costs.



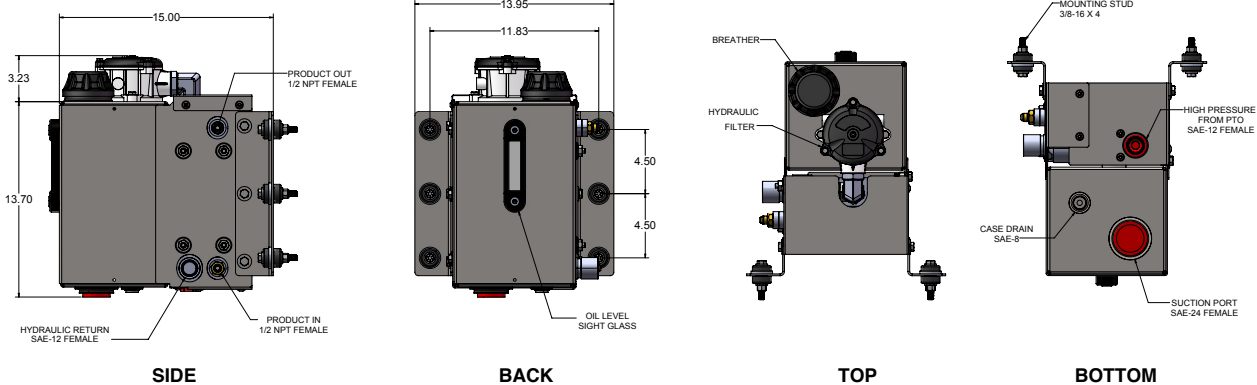
**FOR USE ONLY WITH PROPANE BOBTAILS**

**INSTALLER MUST HAVE VALID CT LICENSE TO INSTALL APSCO PROPANE SYSTEM PRODUCTS**

BETTER PERFORMANCE	COMPACT DESIGN	INCREASED DURABILITY	EASY INSTALLATION
<ul style="list-style-type: none"> <li>Improves propane product pump performance - flow</li> <li>Reduce off-load time by increasing tank vapor pressure</li> <li>Reduces tendency to vapor lock or cavitate product pump</li> <li>Optimized heat rejection</li> <li>ASME certified - pressure boundary</li> </ul>	<ul style="list-style-type: none"> <li>Cooling fan is not required</li> <li>10-Micron filter element</li> <li>Only 14.6" tall</li> <li>Uses &lt; 13" of frame rail space</li> <li>12.3" wide x 16.7" deep x 14.6" tall</li> <li>Pressure relief valve located inside cabinet</li> </ul>	<ul style="list-style-type: none"> <li>Proven performance since 2002</li> <li>Corrosion resistant stainless steel construction</li> <li>Drop in filter replacement for easy maintenance</li> <li>Low maintenance - no moving parts</li> <li>Industry leading 2 year warranty</li> </ul>	<ul style="list-style-type: none"> <li>Lightweight - 34 LBS</li> <li>SAE suction, pressure and return ports for easy and drip free hose alignment</li> <li>Mount behind-the cab or on the frame rail</li> <li>SAE port adapter fittings available for your convenience</li> </ul>

Should you not find what you are looking for, contact us at (918) 622-5600

Visit [www.apscopower.com](http://www.apscopower.com) for additional part numbers, installation instructions and dimensional drawings



**FOR USE ONLY WITH PROPANE BOBTAILS  
INSTALLER MUST HAVE VALID CT LICENSE TO INSTALL APSCO PROPANE SYSTEM PRODUCTS**

Model	Flow Rate (GPM)	Reservoir Size (Gallons)	Pressure (PSI)	Weight (LBS)
SS510P	25	2.5	Up to 3,000	34

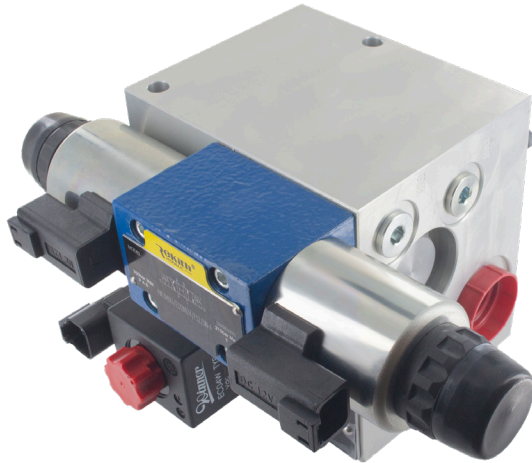
Capacity .....	25
Slimline or Box .....	Slimline
Tank Size .....	2.5 Gallons
Suction Port .....	SAE-24 Female
Relief Valve Return Port .....	SAE-12 Female
Hydraulic Return Port .....	SAE-12 Female
Product Port - IN .....	1/2" NPT Female
Product Port - OUT.....	1/2" NPT Female
Relief Valve .....	Adjustable from 500-3000 PSI (factory set @ 2800 PSI)
Fan .....	Not Required
Case Drain .....	JIC-12 Female
Filter.....	Tank top design
Filter Element .....	10-Micron, element easily serviceable from top
Oil Level Sight Glass.....	5" liquid level gauge with thermometer
Basic Dimensions (L x W x H) .....	16.7 x 12.3 x 14.6"
Finish .....	Stainless Steel
Weight .....	34 LBS dry
Warranty .....	2 years

We have been designing Thermaflow™ hydraulic systems since 1989! We'll design a hydraulic drive to fit your application. Besides the Model SS510P, we offer a number of other models that can fit higher horsepower applications or custom design a cooling system to your needs.

**FOOD GRADE - CHEMICAL - COMPRESSED GAS - CRUDE OIL - VACUUM PUMPS - COMBO DRIVES**

Should you not find what you are looking for, contact us at (918) 622-5600

Visit [www.apscopower.com](http://www.apscopower.com) for additional part numbers, installation instructions and dimensional drawings



RFL-500M  
Patent US 11091082B2

## Hydraulic Hose Reel System

The REELFLOW manifold is designed to operate the on/off function of the product pump, as well as the in/out/free-spool of the hydraulically driven hose reel. This is accomplished by utilizing a special set of solenoid operated valves inside the manifold. The REELFLOW hydraulic system can work with multiple different hydraulic hose reels but was designed to work best with a hose reel that utilizes a direct coupled 9.7 CID motor.

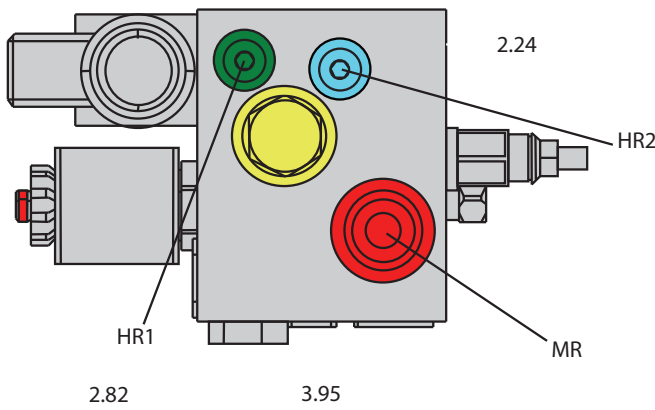


RFL-500M is intended for use with any hydraulic hose reel application

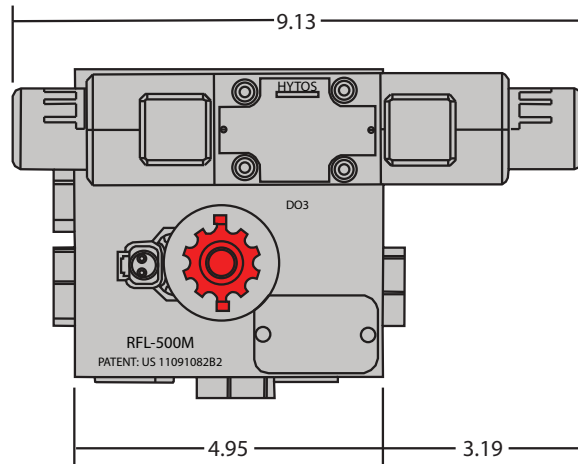
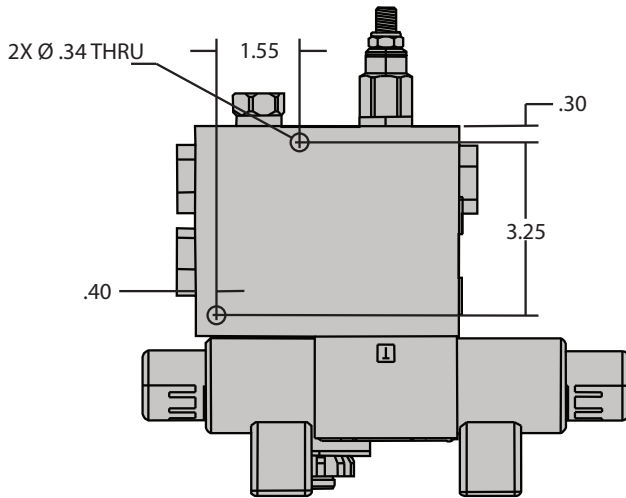
USER FRIENDLY	SAFETY	KEY FEATURES
<ul style="list-style-type: none"> <li>Hydraulic controls allow power in/out and free spool</li> <li>Reduced maintenance</li> <li>Combines multiple valves into one</li> </ul>	<ul style="list-style-type: none"> <li>Simplification and safety of work process by allowing removal of chain and sprocket</li> <li>Relief valve installed to protect system and operator</li> </ul>	<ul style="list-style-type: none"> <li>Reduced downtime</li> <li>Optional custom speed adjustment                             <ul style="list-style-type: none"> <li>RFL-K-SPC</li> </ul> </li> <li>Space saving manifold</li> </ul>

Should you not find what you are looking for, contact us at (918) 622-5600

Visit [www.apscopower.com](http://www.apscopower.com) for additional part numbers, installation instructions and dimensional drawings



PORTS	
<b>SAE-6 ORB FEMALE</b>	
•	GH - Gauge Port for Hose Reel
•	HR1 - Hose Reel Port 1
•	HR2 - Hose Reel Port 2
<b>SAE-12 ORB FEMALE</b>	
•	R1- Return
•	P1 - Pressure
•	MR - Motor Return
•	MP - Motor Pressure
•	GM - Gauge Port for Motor



### APSCO COMPATIBLE PRODUCTS

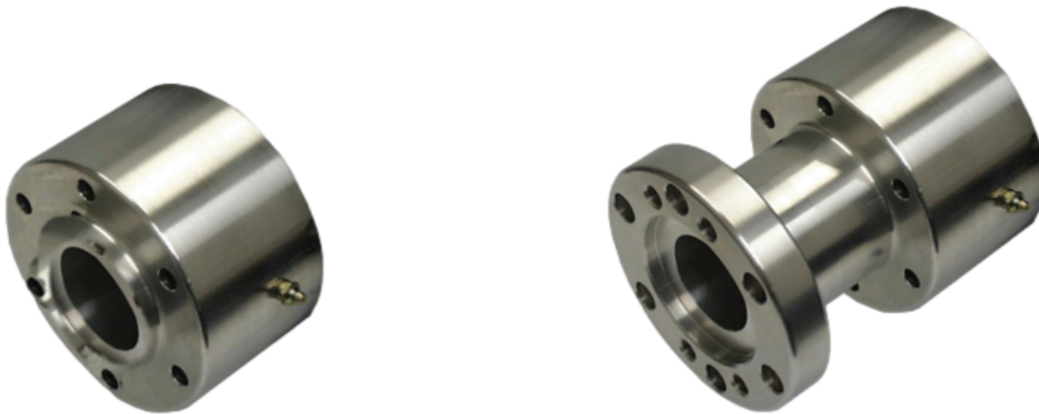


Should you not find what you are looking for, contact us at (918) 622-5600

Visit [www.apscopower.com](http://www.apscopower.com) for additional part numbers, installation instructions and dimensional drawings

APSCO manufactures multiple models of adapters and couplers to fit the Blackmer and Corken product pumps. These allow the user to direct mount motors to the product pumps which leads to a decrease in maintenance costs and an increase in longevity for both motors and pumps.

## ADAPTERS



CORKEN	SAE A MOTOR MOUNT		SAE B 4-BOLT
APSCO Model	532PB	542PB	642PB
Corken Model	Z3200, Z3500	Z4200, Z4500	Z4200, Z4500

BLACKMER	SAE A MOTOR MOUNT	
APSCO Model	535P	575P
Blackmer Model	TXD2, TXD2.5A, TLGLF3C, LGLD2E	TXD3, LGLD3E, TLGLF3HD, LGLD4A, TLGLF4B

## COUPLERS



APSCO MODEL	575004	575007	575008	575009
SIZING	1 1/4" X 1 1/4"	1 X 1 1/8"	1 X 1 1/4"	1 1/4" X 1 1/8"

Should you not find what you are looking for, contact us at (918) 622-5600

Visit [www.apscopower.com](http://www.apscopower.com) for additional part numbers, installation instructions and dimensional drawings





## SS934

### HYDRAULIC RESERVOIR, FILTER, AND COOLING SYSTEM

The THERMAFLOW SS934 is designed to supply top performance without using up valuable frame rail space. At only 9.25" wide, it will fit all low horsepower applications with a mounting bracket kit that will simplify your installation. The SS934 will drive most 3" and 4" product pumps and compressors, with options for multiple pump applications.



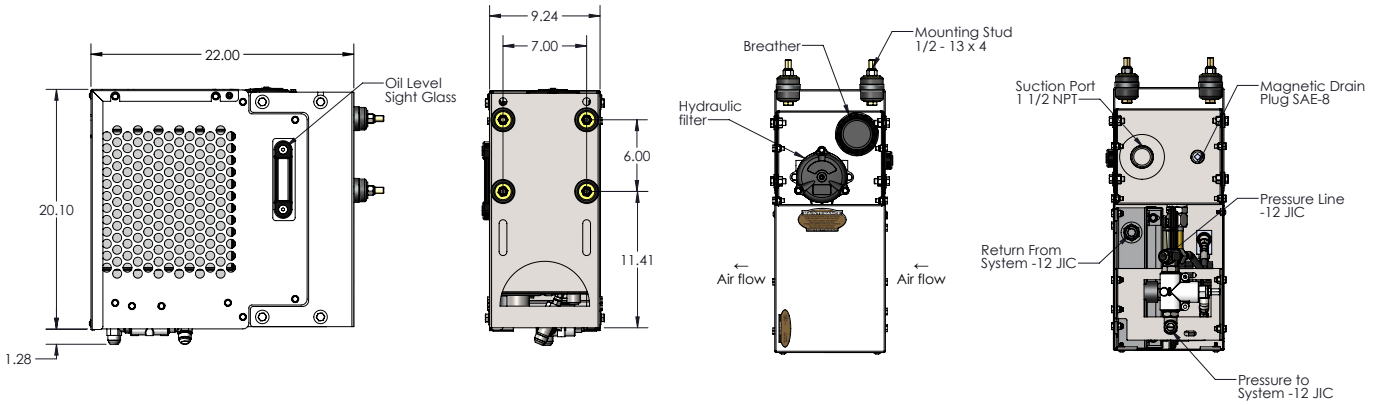
### FOOD GRADE - CHEMICAL - COMPRESSED GAS - COMBO DRIVES

BETTER PERFORMANCE	COMPACT DESIGN	INCREASED DURABILITY	EASY INSTALLATION
<ul style="list-style-type: none"> <li>• Cooling capacity up to 30 GPM</li> <li>• Optimized heat rejection</li> <li>• Available with electric or hydraulic fan</li> <li>• Air flow path from side to side</li> </ul>	<ul style="list-style-type: none"> <li>• Narrow width, only 9.25" wide</li> <li>• Minimal fan clearance (2" per side)</li> <li>• 10-Micron filter element</li> <li>• Integral directional control valve (optional)</li> </ul>	<ul style="list-style-type: none"> <li>• Low maintenance, proven performance</li> <li>• Corrosion resistant design</li> <li>• Stainless steel construction</li> <li>• Easy access to filter element for maintenance</li> <li>• Modular construction for easy service</li> </ul>	<ul style="list-style-type: none"> <li>• Standard rear studs - side frame rail mounting</li> <li>• SAE suction and JIC pressure/return ports for easy piping alignment</li> <li>• Port adapters available upon request</li> <li>• Optional behind-the-cab or no-drill mounts</li> </ul>

Should you not find what you are looking for, contact us at (918) 622-5600

Visit [www.apscopower.com](http://www.apscopower.com) for additional part numbers, installation instructions and dimensional drawings

SS934HR MODEL DIMENSIONS SHOWN



Model	Flow Rate (GPM)	Reservoir Size (Gallons)	Pressure (PSI)	Heat Cooled (HP)
SS934	Up to 30	4	Up to 5,000	10

- Flow Rate (Capacity) ..... Up to 30 GPM
- Slimline or Box ..... Slimline
- Reservoir Tank Size ..... 4 Gallon
- Suction Port ..... SAE-24 Female
- Pressure Port ..... JIC-12 Male
- Return Port ..... JIC-12 Male
- Relief Valve ..... Adjustable 500-3000 PSI (standard)
- Fan ..... Hydraulic drive (2 GPM) or electric (12V / 25 AMP)
- Case Drain ..... SAE-8 (magnetic plug)
- Filter ..... Tank top design, 25 PSI bypass
- Filter Element ..... 10-Micron
- Oil Level Sight Glass ..... 5" Liquid level gauge with thermometer
- Basic Dimensions (L x W x H) ..... 22 x 9.25 x 20"
- Finish ..... 304 Stainless steel exterior brushed finish
- Heat Rejection ..... 10 HP @ 30 GPM with 50°F exiting temp. differential

Multiple models available

SS934ER	SS934EV	SS934HR	SS934HV
ELECTRIC FAN, RELIEF VALVE	ELECTRIC FAN, DIRECTIONAL CONTROL VALVE	HYDRAULIC FAN, RELIEF VALVE	HYDRAULIC FAN, DIRECTIONAL CONTROL VALVE

The Thermaflow® hydraulic systems have been a market leader since 1989. APSCO offers a number of other models that can fit higher horsepower applications or custom design a hydraulic drive to fit the required application.

Should you not find what you are looking for, contact us at (918) 622-5600

Visit [www.apscopower.com](http://www.apscopower.com) for additional part numbers, installation instructions and dimensional drawings

## HYDRAULIC RESERVOIR, FILTER, AND COOLING SYSTEM



### PART OF APSCO'S COMPLETE LINE OF COOLING SYSTEMS

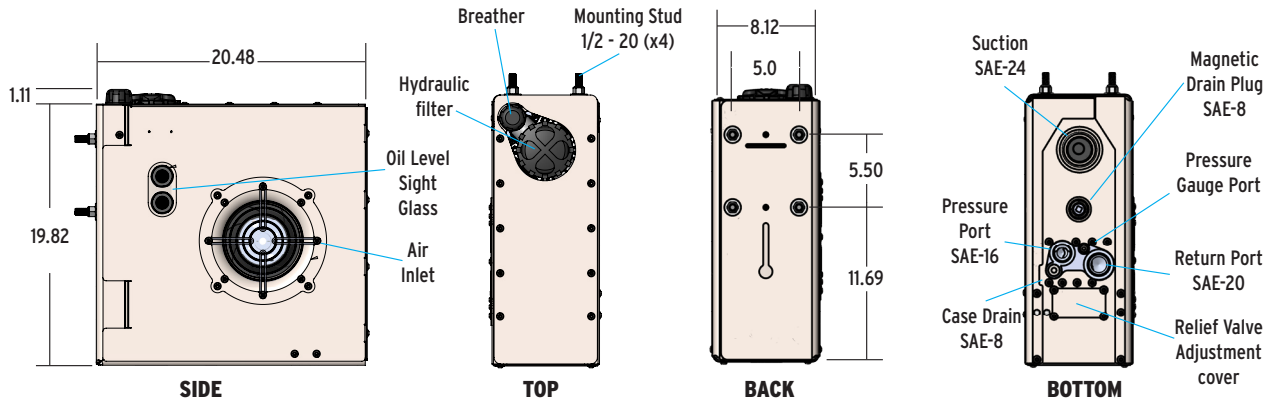


ARC-30S    ARC-45    ARC-60

BETTER PERFORMANCE	COMPACT DESIGN	INCREASED DURABILITY	EASY INSTALLATION
<ul style="list-style-type: none"> <li>• Increased heat rejection</li> <li>• High efficiency fan design</li> <li>• Air flow path from side to front</li> <li>• Automatic cold-weather bypass</li> <li>• External access to adjustable pressure relief valve</li> </ul>	<ul style="list-style-type: none"> <li>• Narrow width, less than 8"</li> <li>• Minimal fan clearance required (1-1/2" inlet side)</li> <li>• Compact design so you can install in a space of less than 12"</li> <li>• 10-Micron filter element</li> </ul>	<ul style="list-style-type: none"> <li>• Low maintenance internal plumbing design</li> <li>• Manifold design for fewer parts to fail</li> <li>• Only 1 low pressure hydraulic hose</li> <li>• Corrosion resistant design stainless steel/aluminum construction</li> </ul>	<ul style="list-style-type: none"> <li>• Rear studs for side rail mounting</li> <li>• SAE ports allow for easier piping alignment and minimize potential for leaks</li> <li>• SAE port adapter fittings available for your convenience</li> </ul>

Should you not find what you are looking for, contact us at (918) 622-5600

Visit [www.apscopower.com](http://www.apscopower.com) for additional part numbers, installation instructions and dimensional drawings



Model	Flow Rate (GPM)	Reservoir Size (Gallons)	Pressure (PSI)	HP Cooled
ARC-30S	30	4.0	Up to 4,000	20

- Capacity ..... 30 GPM
- Slimline or Box ..... Slimline
- Tank Size ..... 4 Gallon
- Suction ..... SAE-24 ORB Female
- High Pressure ..... SAE-16 ORB Female
- Low Pressure Return ..... SAE-20 ORB Female
- Relief Valve ..... Adjustable - 500-3000 psi standard
- Fan ..... Hydraulic drive 1.2 GPM
- Drain ..... Magnetic plug SAE-8 ORB
- Filter ..... Tank top design w/integral breather, 25 PSI bypass
- Filter Element ..... 10-Micron, element easily serviceable from top
- Oil Level Site Glass ..... Dual bulls eye
- Basic dimensions (LxWxH) ..... 20 x 8 x 21"
- Cooler Bypass ..... Cold start up - 60 PSI high flow
- Case Drain ..... SAE-8 ORB Female
- Finish ..... Stainless exterior brushed finish
- Pressure Gauge Port ..... SAE-4 ORB Female
- Weight ..... 100 LBS
- Heat Rejection ..... 20 HP at 30 GPM with 80°F exiting temp. differential

FITTINGS NOT INCLUDED. SEE ACCESSORIES LIST FOR AVAILABLE FITTINGS

Should you not find what you are looking for, contact us at (918) 622-5600

Visit [www.apscopower.com](http://www.apscopower.com) for additional part numbers, installation instructions and dimensional drawings



## HYDRAULIC RESERVOIR, FILTER, AND COOLING SYSTEM



## PART OF APSCO'S COMPLETE LINE OF COOLING SYSTEMS

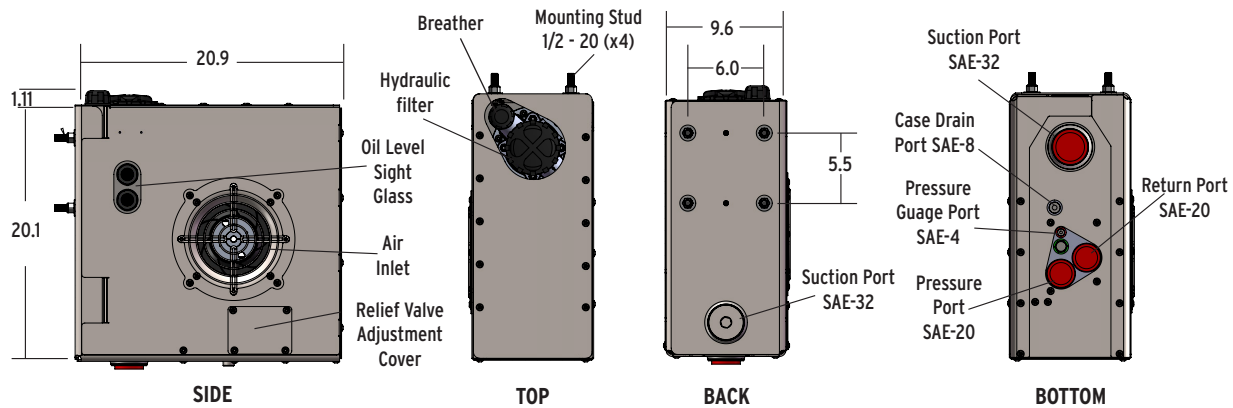


ARC-30S    ARC-45    ARC-60

BETTER PERFORMANCE	COMPACT DESIGN	INCREASED DURABILITY	EASY INSTALLATION
<ul style="list-style-type: none"> <li>Increased heat rejection</li> <li>High efficiency fan design</li> <li>Air flow path from side to front</li> <li>Automatic cold-weather bypass</li> <li>External access to adjustable pressure relief valve</li> </ul>	<ul style="list-style-type: none"> <li>Narrow width, less than 10"</li> <li>Minimal fan clearance required (2" inlet side)</li> <li>Compact design so you can install in a space of less than 12"</li> <li>10-Micron filter element</li> </ul>	<ul style="list-style-type: none"> <li>Low maintenance internal plumbing design</li> <li>Manifold design for fewer parts to fail</li> <li>Only 1 low pressure hydraulic hose</li> <li>Corrosion resistant design stainless steel/aluminum construction</li> </ul>	<ul style="list-style-type: none"> <li>Rear studs for side rail mounting</li> <li>SAE ports allow for easier piping alignment and minimize potential for leaks</li> <li>SAE port adapter fittings available for your convenience</li> </ul>

Should you not find what you are looking for, contact us at (918) 622-5600

Visit [www.apscopower.com](http://www.apscopower.com) for additional part numbers, installation instructions and dimensional drawings



Model	Flow Rate (GPM)	Reservoir Size (Gallons)	Pressure (PSI)	HP Cooled
ARC-45	45	4.25	Up to 4,000	19

- Capacity ..... 45 GPM
- Slimline or Box ..... Slimline
- Tank Size ..... 4.25 Gallon
- Back Suction ..... SAE-32 ORB Female
- Bottom Suction ..... SAE-32 ORB Female
- High Pressure ..... SAE-20 ORB Female
- Low Pressure Return ..... SAE 20 ORB Female
- Relief Valve ..... Adjustable 500-3000 PSI standard
- Fan ..... Hydraulic drive 1.2 GPM
- Filter ..... Tank top design w/integral breather, 25 PSI bypass
- Filter Element ..... 10-Micron, element easily serviceable from top
- Oil Level Sight Glass ..... Dual bulls eye
- Basic Dimensions (L X W X H) ..... 21 X 10 X 20"
- Cooler Bypass ..... Cold start up - 60 PSI high flow
- Case Drain ..... SAE-8 ORB Female
- Finish ..... Stainless exterior brushed finish
- Pressure Gauge Port ..... SAE-4 ORB Female
- Weight ..... 120 LBS (dry)
- Heat Rejection ..... 19 HP at 45 GPM with 80°F exiting temp. differential

FITTINGS NOT INCLUDED. SEE ACCESSORIES LIST FOR AVAILABLE FITTINGS

Should you not find what you are looking for, contact us at (918) 622-5600

Visit [www.apscopower.com](http://www.apscopower.com) for additional part numbers, installation instructions and dimensional drawings



## HYDRAULIC RESERVOIR, FILTER, AND COOLING SYSTEM



### PART OF APSCO'S COMPLETE LINE OF COOLING SYSTEMS

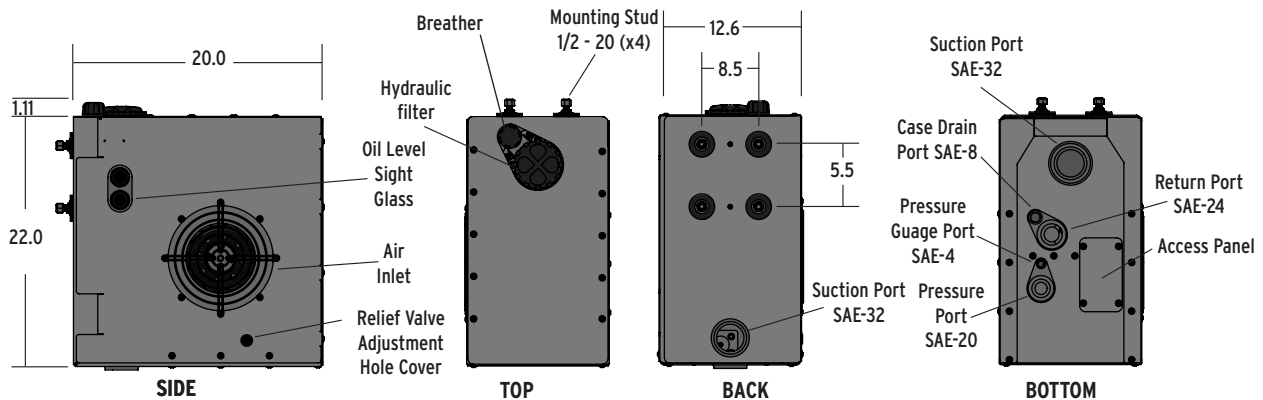


ARC-30S    ARC-45    ARC-60

BETTER PERFORMANCE	COMPACT DESIGN	INCREASED DURABILITY	EASY INSTALLATION
<ul style="list-style-type: none"> <li>• Increased heat rejection</li> <li>• High efficiency fan design</li> <li>• Air flow path from side to front</li> <li>• Automatic cold-weather bypass</li> <li>• External access to adjustable pressure relief valve</li> </ul>	<ul style="list-style-type: none"> <li>• Narrow width, less than 10"</li> <li>• Minimal fan clearance required (2" inlet side)</li> <li>• Compact design so you can install in a space of less than 12"</li> <li>• 10-Micron filter element</li> </ul>	<ul style="list-style-type: none"> <li>• Low maintenance internal plumbing design</li> <li>• Manifold design for fewer parts to fail</li> <li>• Only 1 low pressure hydraulic hose</li> <li>• Corrosion resistant design stainless steel/aluminum construction</li> </ul>	<ul style="list-style-type: none"> <li>• Rear studs for side rail mounting</li> <li>• SAE ports allow for easier piping alignment and minimize potential for leaks</li> <li>• SAE port adapter fittings available for your convenience</li> </ul>

Should you not find what you are looking for, contact us at (918) 622-5600

Visit [www.apscopower.com](http://www.apscopower.com) for additional part numbers, installation instructions and dimensional drawings



Model	Flow Rate (GPM)	Reservoir Size (Gallons)	Pressure (PSI)	HP Cooled
ARC-60	60	6.0	Up to 4,000	28

- Capacity ..... 60 GPM
- Slimline or Box ..... Slimline
- Tank Size ..... 6 Gallon
- Back Suction ..... SAE-32 ORB Female
- Bottom Suction ..... SAE-32 ORB Female
- High Pressure ..... SAE-20 ORB Female
- Low Pressure Return ..... SAE 24 ORB Female
- Relief Valve ..... Adjustable - 500-3000 PSI Standard
- Fan ..... Hydraulic drive 1.2 GPM
- Filter ..... Tank top design w/integral breather, 25 PSI bypass
- Filter Element ..... 10-Micron, element easily serviceable from top
- Oil Level Sight Glass ..... Dual bulls eye
- Basic Dimensions (L X W X H) ..... 22 X 13 X 22"
- Cooler Bypass ..... Cold start up - 60 PSI high flow
- Case Drain ..... SAE-8 ORB Female
- Finish ..... Stainless exterior brushed finish
- Pressure Gauge Port ..... SAE-4 ORB Female
- Weight ..... 140 LBS
- Heat Rejection ..... 28 HP at 60 GPM with 80°F exiting temp. differential

Should you not find what you are looking for, contact us at (918) 622-5600

Visit [www.apscopower.com](http://www.apscopower.com) for additional part numbers, installation instructions and dimensional drawings

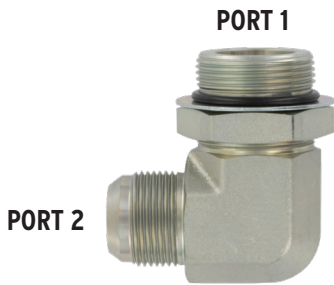


## MATERIALS

- Body: Chromium Zinc Plated Steel
- O-Ring: Buna-N

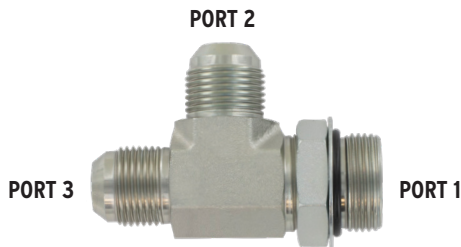
Should you not find what you are looking for, contact us at (918) 622-5600

Visit [www.apscopower.com](http://www.apscopower.com) for additional part numbers, installation instructions and dimensional drawings



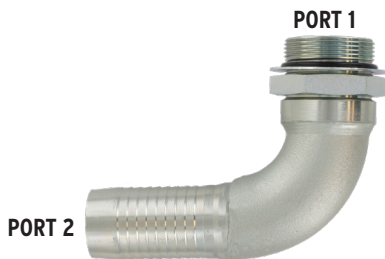
### ARC-30 RETURN PORT FITTING

Model	Part no.	Port 1	Port 2
ARC-30S/ARC-45	7872	Male SAE ORB-20	Male JIC-20
ARC-30S	8016	Male SAE ORB-20	Male JIC-16
ARC-60	8595	Male SAE ORB-24	Male JIC-24



### PRESSURE PORT FITTING

Model	Part no.	Port 1	Port 2	Port 3
ARC 30S	7868	Male SAE ORB-16	Male JIC-16	Male JIC-16
ARC-30S	8015	Male SAE ORB-16	Male JIC-12	Male JIC-12
ARC-45 / ARC-60	8596	Male SAE ORB-20	Male JIC-20	Male JIC-20



### SUCTION PORT FITTING

Model	Part no.	Port 1	Port 2
ARC-30S	8017	Male SAE ORB-24	Hose Barb - 1.50"
ARC-30S	8180	Male SAE ORB-24	Hose Barb - 1.25"
ARC-45 / ARC-60	8594	Male SAE ORB-32	Hose Barb - 2.00"

Should you not find what you are looking for, contact us at (918) 622-5600

Visit [www.apscopower.com](http://www.apscopower.com) for additional part numbers, installation instructions and dimensional drawings

## Fittings: Propane Side



Model	Part no.	Description
510P	500418	Special Flare Orifice Fitting Propane Inlet*
510P	9288	Flare Fitting Propane Outlet*

\* for propane use only



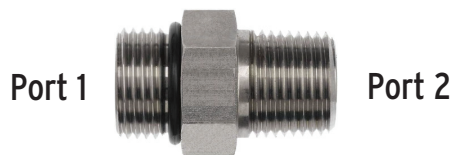
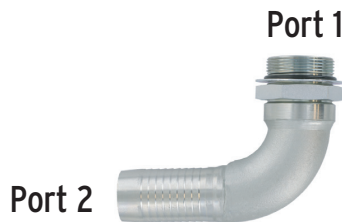
## Fittings: Hydraulic Return

Model	Part no.	Port 1	Port 2	Description
510P	300708	12MORB	12MJIC	90 Degree Elbow
510P	8472	12MORB	12MJIC	Straight



## Fittings: Suction

Model	Part no.	Port 1	Port 2
510P	8017	24MORB	Hose Barb 1 1/2"
510P	8180	24MORB	Hose Barb 1 1/4"
510P	9168	24MORB	24MP Straight
675	9548	32MORB	Hose Barb 2" Straight
675	9549	32MORB	MNPT 2" Straight



Should you not find what you are looking for, contact us at (918) 622-5600

Visit [www.apscopower.com](http://www.apscopower.com) for additional part numbers, installation instructions and dimensional drawings





## SS675 HYDRAULIC RESERVOIR, FILTER, AND COOLING SYSTEM

The THERMAFLOW Model SS675 is a heavy duty compact hydraulic cooling system that is designed to mount behind the cab. The SS675 has the capacity to drive higher horsepower applications. At 12" wide, this unit has plenty of room behind the cab. The SS675 has a no drill mount behind the cab, with either a hydraulic or electric fan.



### FOOD GRADE - CHEMICAL - COMPRESSED GAS - CRUDE OIL - VACUUM PUMPS - COMBO DRIVES

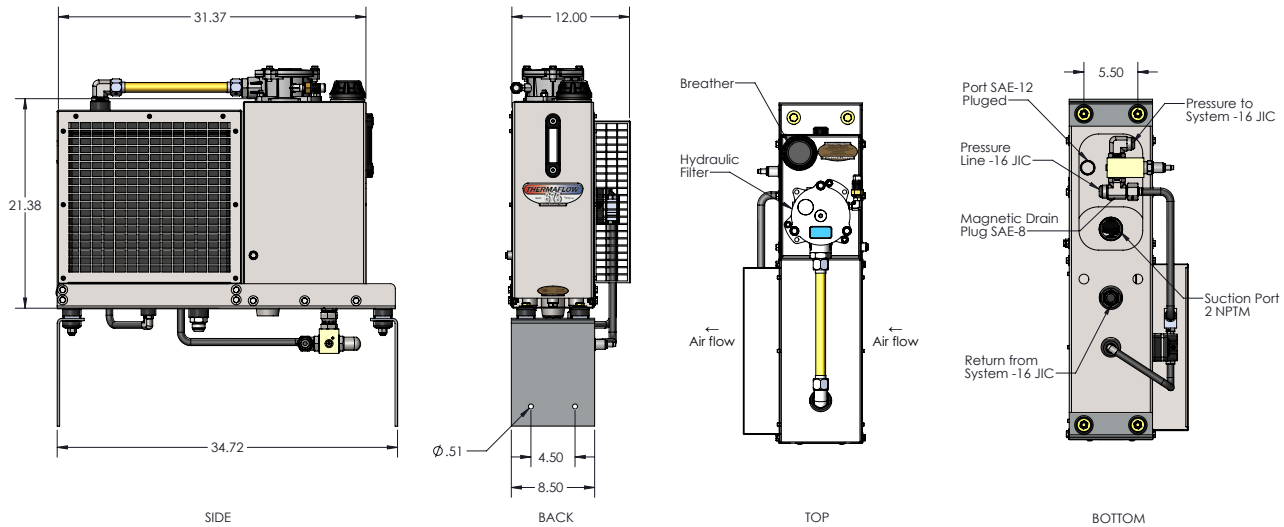
BETTER PERFORMANCE	COMPACT DESIGN	INCREASED DURABILITY	EASY INSTALLATION
<ul style="list-style-type: none"> <li>Air flow path from side to side</li> <li>Increased heat rejection</li> <li>Available with electric or hydraulic fan</li> <li>Optional off-road or side-dump versions available</li> </ul>	<ul style="list-style-type: none"> <li>Narrow width, only 12" wide</li> <li>Minimal fan clearance (2" per side)</li> <li>10-Micron filter element</li> <li>Behind-the-Cab mount is standard</li> </ul>	<ul style="list-style-type: none"> <li>Low maintenance, proven performance</li> <li>Corrosion resistant design stainless steel construction</li> <li>Easy access to filter element for maintenance</li> <li>Modular construction for easy service</li> </ul>	<ul style="list-style-type: none"> <li>SAE suction port is standard</li> <li>JIC pressure and return ports for easy piping alignment</li> <li>Port adapters available upon request</li> <li>Optional no-drill mount available</li> </ul>

Should you not find what you are looking for, contact us at (918) 622-5600

Visit [www.apscopower.com](http://www.apscopower.com) for additional part numbers, installation instructions and dimensional drawings



SS675HR MODEL DIMENSIONS SHOWN



Model	Flow Rate (GPM)	Reservoir Size (Gallons)	Pressure (PSI)	HP Cooled
SS675	up to 50	Standard = 6.0 up to 12 (optional)	up to 5,000	16

- Capacity ..... up to 50 GPM
- Tank Size ..... Standard = 6.0 Gallon up to 12 Gallons (optional)
- Suction Port ..... SAE-32 Female
- Pressure Port ..... JIC-16 Male
- Return Port ..... JIC-16 Male
- Relief Valve ..... Adjustable 500-3000 PSI @ 50 GPM or 1000-5000 PSI @ 30 GPM
- Fan ..... Hydraulic drive (2 GPM) or Electric (12V / 25 AMP)
- Case Drain ..... SAE-8 (magnetic plug)
- Filter ..... Tank top design, 44 PSI bypass
- Filter Element ..... 10-Micron, easily serviceable from top
- Oil Level Sight Glass ..... 5" Liquid level gauge with thermometer
- Basic Dimensions (L x W x H) ..... 31.5 x 12 x 37"
- Finish ..... Stainless exterior brushed finish
- Weight ..... 100 (dry) = SS675E
- Heat Rejections ..... 16 HP @ 50 GPM with 50°F exiting temp. differential

Multiple models available

SS675E	SS675ER-ND	SS675HR
ELECTRIC FAN, NO RELIEF	ELECTRIC FAN 50 GPM RELIEF VALVE	HYDRAULIC FAN, 50 GPM RELIEF VALVE

We have been designing Thermaflow® hydraulic systems since 1989! We'll design a hydraulic drive to fit your application. Besides the Model SS675, we offer a number of other models that can fit higher horsepower applications or custom design a cooling system to your needs.

Should you not find what you are looking for, contact us at (918) 622-5600

Visit [www.apscopower.com](http://www.apscopower.com) for additional part numbers, installation instructions and dimensional drawings

# AM2 SERIES

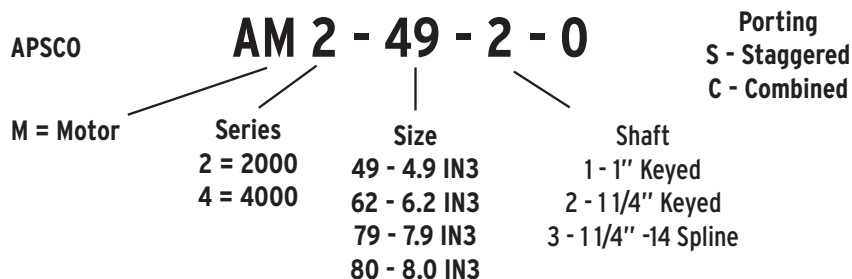
## APSCO PERFORMANCE MOTORS



APSCO's hydraulic orbit motor is specifically designed to excel in low-speed, high-torque applications. Engineered with utmost precision, these motors are up to the challenge in food grade, compressed gasses, and auger applications. With its exceptional torque output and reliability our hydraulic orbit motor provides superior performance and optimized efficiency, even under the most demanding conditions. Its heavy-duty design ensures precise control and seamless operation, allowing the user to tackle heavy-duty tasks with ease and precision.

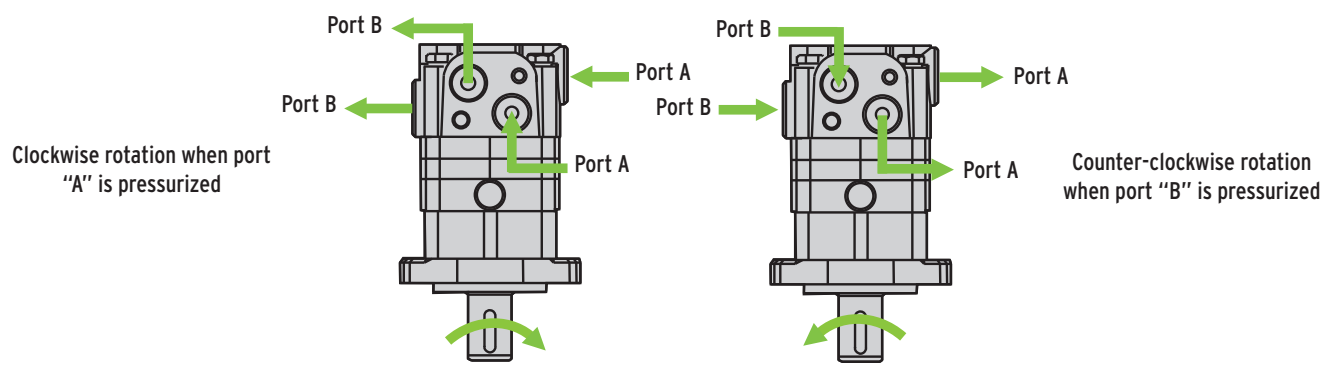
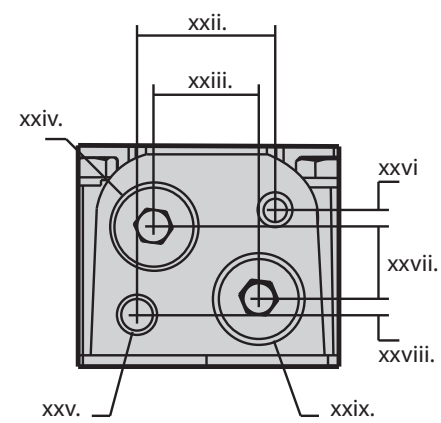
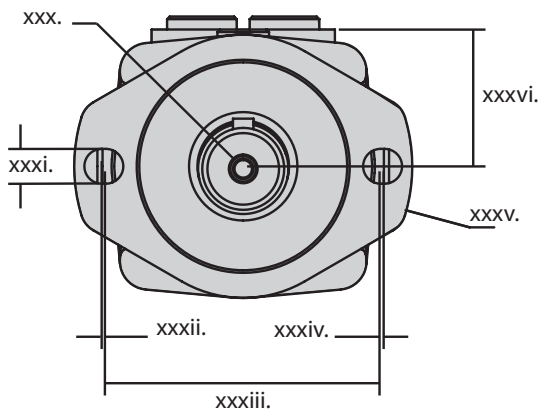
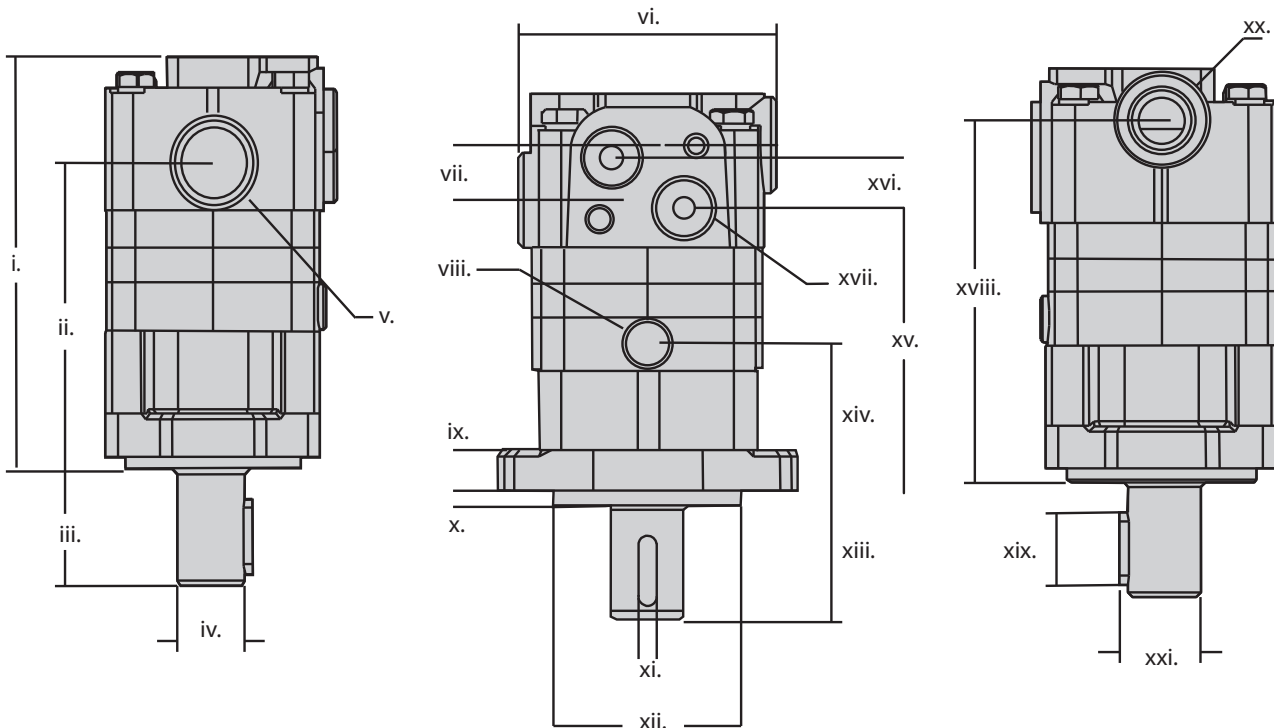
Performance	Design	Durability
High efficiency with low pressure drop Proven reliability	<ul style="list-style-type: none"> <li>• Common displacements and shaft configurations in stock</li> <li>• Both staggered and opposite porting for versatility</li> <li>• Compact body</li> </ul>	Heavy duty bearings 3050 continuous, 3990 intermittent pressure rating Three zone design for longer life

### APSCO PRODUCT MOTOR MATRIX



Should you not find what you are looking for, contact us at (918) 622-5600

Visit [www.apscopower.com](http://www.apscopower.com) for additional part numbers, installation instructions and dimensional drawings



Should you not find what you are looking for, contact us at (918) 622-5600  
 Visit [www.apscopower.com](http://www.apscopower.com) for additional part numbers, installation instructions and dimensional drawings



	AM2-49-2-0	AM2-62-1-0	AM2-62-2-0	AM2-62-3-0
Char Lynn Part #	104-1061, 104-1022	104-1002, 104-1038	104-1062, 104-1023	104-1088, 104-1030
i	7.14	7.26	7.26	7.25
ii	5.311	5.441	5.441	5.44
iii	1.97	1.66	1.97	1.99
iv	1.250, 1.249	1.000, .999	1.250, 1.249	1.250, 1.249
v	1-1/16 - 12UN			
vi	4.45			
vii	.94			
viii	7/16 -20UNF			
ix	.71			
x	.270, .230	.251, .250	.252, 240	.252, .240
xi	.313, .312	.251, .250	.313, .312	N/A
xii	3.250, 3.245			
xiii	2.22	1.91	2.22	2.24
xiv	2.579			
xv	4.92	5.05	5.05	5.05
xvi	.87			
xvii	Port A			
xviii	6.26	6.39	6.39	6.39
xix	1.25	1.00	1.25	N/A
xx	1-1/16 - 12 UN			
xxi	1.390, 1.378	1.111, 1.102	1.390, 1.378	N/A
xxii	1.657, 1.650			
xxiii	1.263, 1.256			
xxiv	Port B			
xxv	2X 3/8 - 16UNC			
xxvi	.20			
xxvii	.87			
xxviii	.20			
xxix	2X 7/8 - 14UNF			
xxx	3/8 - 16UNC			
xxxI	2X .531			
xxxii	.063			
xxxiii	4.200, 4.177	4.200, 4.177	4.200, 4.177	4.19
xxxiv	.063			
xxxv	R 2.58			
xxxvi	2.09	2.13	2.13	2.09

Should you not find what you are looking for, contact us at (918) 622-5600

Visit [www.apscopower.com](http://www.apscopower.com) for additional part numbers, installation instructions and dimensional drawings

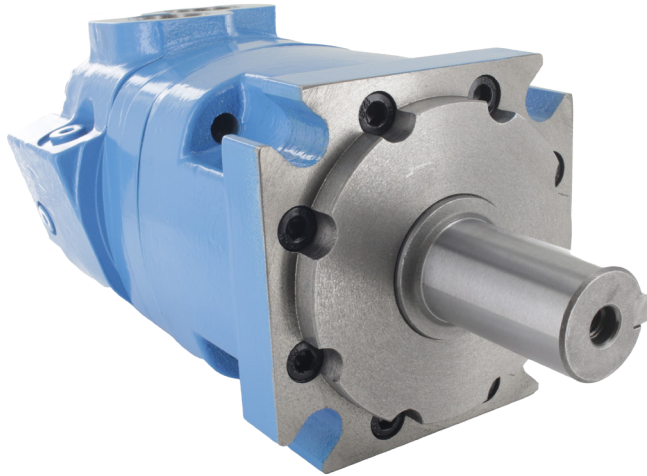
Type		AM2-49	AM2-62
Displacement		80.5 [4.91]	100 [6.1]
Max Speed [RPM]	CONTINUOUS	810	750
	INTERMITTENT	1000	900
Max Torque daNm [lb-in]	CONTINUOUS	24 [2120]	30,5 [2700]
	INTERMITTENT	31 [2740]	39 [3450]
Max Output [HP]	CONTINUOUS	15.5 [20.8]	18 [24.1]
	INTERMITTENT	19.5 [26.2]	22.5 [30.2]
Max Pressure Drop [psi]	CONTINUOUS	210 [3050]	210 [3050]
	INTERMITTENT	275 [3990]	275 [3990]
	PEAK	295 [4280]	295 [4280]
Max Oil FLOW vLPM [GPM]	CONTINUOUS	65 [17]	75 [20]
	INTERMITTENT	80 [21]	90 [24]
Max Inlet Pressure BAR [PSI]	CONTINUOUS	230 [3340]	230 [3340]
	INTERMITTENT	295 [4280]	295 [4280]
	PEAK	300 [4350]	300 [4350]
Max Return Pressure w/ Drain Line BAR [PSI]	CONTINUOUS	140 [2030]	140 [2030]
	INTERMITTENT	175 [2540]	175 [2540]
	PEAK	210 [3050]	210 [3050]
Max Starting Pressure w/ Unloaded Shaft BAR [PSI]		12[175]	10 [145]
Min. Start Torque daNm [lb-in]	@ max press drop CONT.	18 [1590]	23 [2040]
	@ max press drop INT.	23.5 [2080]	30 [2660]
Min. Speed [RPM]		10	10
Weight, kg [lb] For Rear Ports + 0.40 [.88]		9.9 [21.8]	10.1 [22.2]

Should you not find what you are looking for, contact us at (918) 622-5600

Visit [www.apscopower.com](http://www.apscopower.com) for additional part numbers, installation instructions and dimensional drawings

# AM4 SERIES

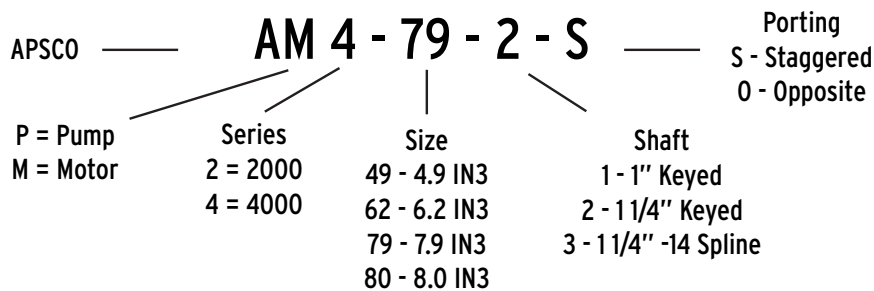
## APSCO PERFORMANCE MOTORS



APSCO's hydraulic orbit motor is specifically designed to excel in low-speed, high-torque applications. Engineered with utmost precision, these motors are up to the challenge in oil and gas applications. With its exceptional torque output and reliability our hydraulic orbit motor provides superior performance and optimized efficiency, even under the most demanding conditions. Its heavy-duty design ensures precise control and seamless operation, allowing the user to tackle heavy-duty tasks with ease and precision. In addition, this motor is directly interchangeable with the 109-1101.

Performance	Design	Durability
High efficiency with low pressure drop Proven reliability	Common displacements and shaft configurations in stock Staggered and opposite porting for versatility Compact body	Heavy duty bearings 3050 continuous, 3990 intermittent pressure rating Three zone design for longer life

### APSCO PRODUCT MOTOR MATRIX



Should you not find what you are looking for, contact us at (918) 622-5600

Visit [www.apscopower.com](http://www.apscopower.com) for additional part numbers, installation instructions and dimensional drawings



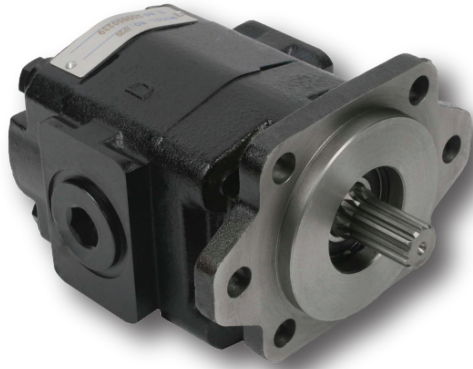
Type		AM4-79
Displacement		130 [7.9]
Max Speed [RPM]	CONT.	722
	INT.	862
Flow l/min [GPM]	CONT.	95 [25]
	INT.	115 [30]
Torque * Nm [lb * in]	CONT.	376 [3330]
	INT.	558 [4940]
Max Inlet Pressure BAR [PSI]	CONT.	205 [3000]
	INT.	310 [4500]
Weight Kg [lb]	STANDARD	17.9 [39.5]

Should you not find what you are looking for, contact us at (918) 622-5600

Visit [www.apscopower.com](http://www.apscopower.com) for additional part numbers, installation instructions and dimensional drawings

# AP20

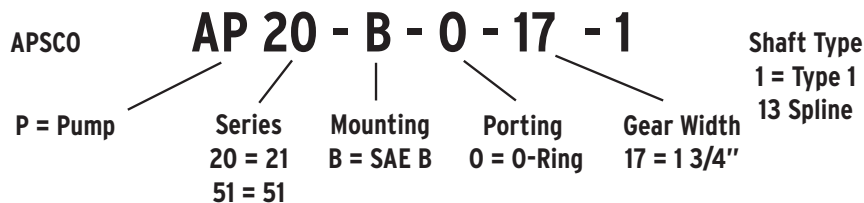
## APSCO PERFORMANCE PUMP



The APSCO AP20 gives the consumer excellent power output due to the the durable high-strength cast iron body. The AP20 also has extreme durability and resistance to fluid contamination due to its unique roller bearings. The pump also has optimized efficiency due to the balanced thrust plates included in the model. In addition, this pump is directly interchangeable with the PGP020A646JEAL17-25.

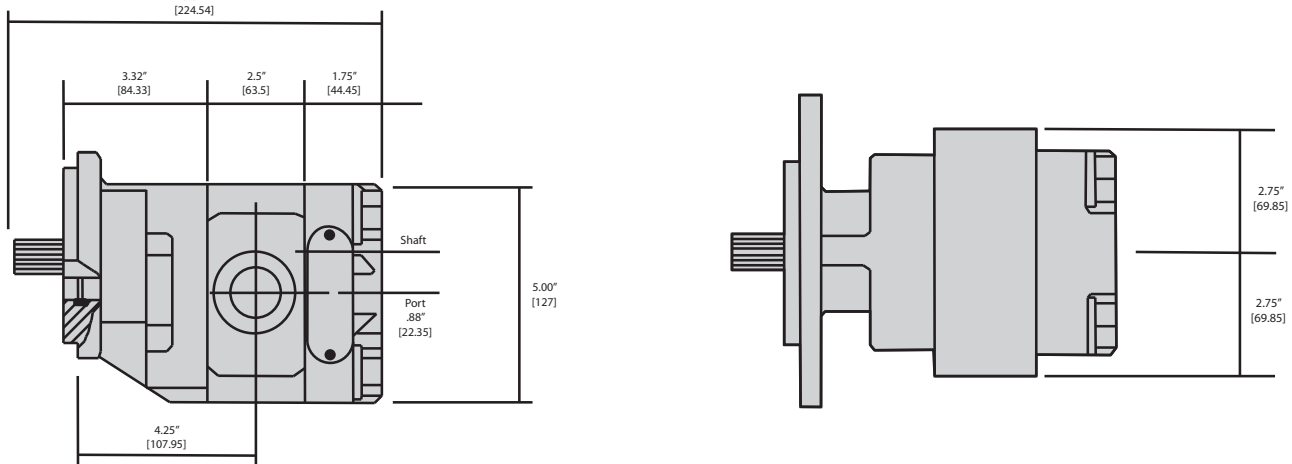
PUMP SPEED (RPM)	THEORETICAL FLOW (GPM)
900	12.0
1200	16.0
1500	20.5
2100	29.5

### APSCO PRODUCT PUMP MATRIX



Should you not find what you are looking for, contact us at (918) 622-5600

Visit [www.apscopower.com](http://www.apscopower.com) for additional part numbers, installation instructions and dimensional drawings



FEATURES	DESCRIPTION
PUMP TYPE	FIXED
MOUNTING	SAE B 2/4 BOLT
PORTS	SAE O-RING BOSS
SIDE PORTS	1 1/4" (-20 ORB)
REAR PORTS	1" (-16 ORB)
SHAFT TYPE	SAE "B" SPLINED SHAFT 13 TOOTH 16/32 PITCH
PUMP SPEED	900 TO 2400 RPM
DISPLACEMENT	3.45 CU IN
MAXIMUM OPERATING PRESSURE	2500 PSI
FLUID TEMPERATURE	<ul style="list-style-type: none"> <li>RANGE OF OPERATING TEMPERATURE: -15 TO +80C (5 TO 176F)</li> <li>MAXIMUM OPERATING PRESSURE RELIANT ON FLUID TEMP</li> <li>COLD START TEMP: -20C TO -15C (-4 TO 5F) @ &lt;/= 1500 RPM</li> </ul>
FLUID VISCOSITY	50-7500 SUS, 7.36-1600 CST
DIRECTION OF ROTATION	BI-ROTATIONAL
MAXIMUM FLOW	35.5 GPM
GEAR WIDTH	1 3/4"
APPROXIMATE WEIGHT	33 LBS (15 KG)

Should you not find what you are looking for, contact us at (918) 622-5600

Visit [www.apscopower.com](http://www.apscopower.com) for additional part numbers, installation instructions and dimensional drawings

# AP51

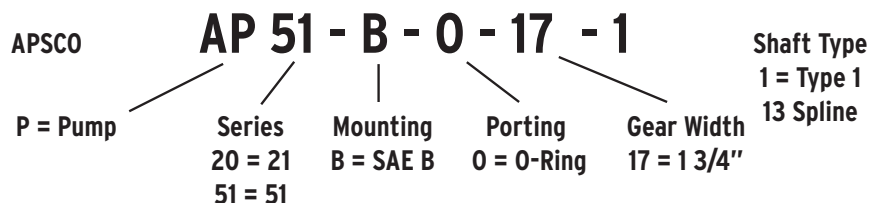
## APSCO PERFORMANCE PUMP



The APSCO AP51 gives the consumer excellent power output due to the the durable high-strength cast iron body. The AP51 also has extreme durability and resistance to fluid contamination due to its unique roller bearings. The pump also has optimized efficiency due to the balanced thrust plates included in the model. In addition, this pump is directly interchangeable with the PGP051.

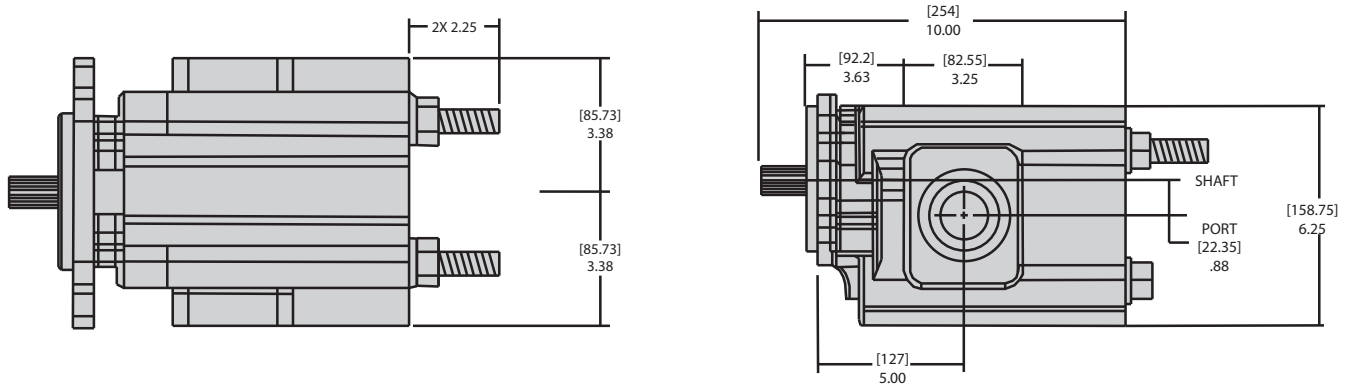
PUMP SPEED (RPM)	THEORETICAL FLOW (GPM)
900	22.0
1200	30.0
1500	39.0
1800	47.0
2100	55.0
2400	63.5

### APSCO PRODUCT PUMP MATRIX



Should you not find what you are looking for, contact us at (918) 622-5600

Visit [www.apscopower.com](http://www.apscopower.com) for additional part numbers, installation instructions and dimensional drawings



FEATURES	DESCRIPTION
PUMP TYPE	FIXED
MOUNTING	SAE B 2/4 BOLT
PORTS	SAE O-RING BOSS
SIDE PORTS	1 1/2" (-24 ORB)
REAR PORTS	1 1/4" (-20 ORB)
SHAFT TYPE	SAE "B" SPLINED SHAFT 13 TOOTH, SPLINE .88" DIAMETER
PUMP SPEED	900 TO 2400 RPM
DISPLACEMENT	6.38 CU IN
MAXIMUM OPERATING PRESSURE	2500 PSI
FLUID TEMPERATURE	<ul style="list-style-type: none"> <li>RANGE OF OPERATING TEMPERATURE: -15 TO +80C (5 TO 176F)</li> <li>MAXIMUM OPERATING PRESSURE RELIANT ON FLUID TEMP</li> <li>COLD START TEMP: -20C TO -15C (-4 TO 5F) @ &lt;/= 1500 RPM</li> </ul>
FLUID VISCOSITY	50-7500 SUS, 7.36-1600 CST
DIRECTION OF ROTATION	BI-ROTATIONAL
MAXIMUM FLOW	63.5 GPM
GEAR WIDTH	2 1/2"
APPROXIMATE WEIGHT	50 LBS (22.5 KG)

Should you not find what you are looking for, contact us at (918) 622-5600

Visit [www.apscopower.com](http://www.apscopower.com) for additional part numbers, installation instructions and dimensional drawings



APSCO's APG Series directional control valves are sectional, directionally controlled, and interchangeable with the very popular VA and VG series hydraulic valve product lines. The APG valves can be used in parallel or open center circuit applications with manual, hydraulic, or pneumatic operation.

- The APG 20 Series has a nominal capacity of 40 GPM and a max operating pressure of 3500 PSI
- The APG35 Series has a nominal capacity of 70 GPM and a max operating pressure of 3500 PSI
- The compacted graphite cast construction allows for a max operating pressure of 3500 PSI
- Interchangeable with the very popular VA and VG series hydraulic valve
- Available in individual components or we can build you a custom engineered and tested valve assembly
- 100% factory tested



REFUSE



OIL & GAS



SNOW & ICE



DUMP BODY

Should you not find what you are looking for, contact us at (918) 622-5600

Visit [www.apscopower.com](http://www.apscopower.com) for additional part numbers, installation instructions and dimensional drawings





## APG 20 SERIES

### FEATURES:

- Compacted graphite for shock load resistance and higher pressure needs
- Full flow relief valves and low open center pressure drop
- Parallel circuit design permits all spools to be operated independently or simultaneously with the lightest load receiving priority
- Precision machined spools are hard chrome plated for maximum life and corrosion resistance
- Stackable sectional design allows for customizing the assembly to your specific needs
- Work sections are 100% pre-assembled and pre-tested before shipping
- Large variety of spool types and back cap actions. Transition load checks are standard to prevent load shifting between spool positions
- Wide range of work port options including port reliefs, anti-cavitation valves, port restrictors, and H.P.C.O. (High-Pressure Carry Over) power beyond providing flexibility for all your design needs

### APG 20 SERIES TECHNICAL DATA

Directly interchangeable with the popular DA20 and DG20  
 Design Type..... Sectional  
 Circuit..... Parallel/open center  
 Material..... Compacted graphite, high strength iron alloy  
 Capacity..... .40 GPM nominal  
 Max. System Pressure..... 3500 PSI - using SAE porting  
 Relief Valves... Differential type adjustable from 800 to 3500 PSI



## APG 35 SERIES

### FEATURES:

- Compacted graphite for shock load resistance and higher pressure needs
- Full flow relief valves and low open center pressure drop
- Parallel circuit design permits all spools to be operated independently or simultaneously with the lightest load receiving priority
- Precision machined spools are hard chrome plated for maximum life and corrosion resistance
- Stackable sectional design allows for customizing the assembly to your specific needs
- Work sections are 100% pre-assembled and pre-tested before shipping
- Large variety of spool types and back cap actions. Transition load checks are standard to prevent load shifting between spool positions
- Wide range of work port options including port reliefs, anti-cavitation valves, port restrictors, and H.P.C.O. (High-Pressure Carry Over) power beyond providing flexibility for all your design needs

### APG 35 SERIES TECHNICAL DATA

Directly interchangeable with the popular DA35 and DG35  
 Design Type..... Sectional  
 Circuit..... Parallel/open center  
 Material..... Compacted graphite, high strength iron alloy  
 Capacity..... .70 GPM - 226 LPM - Nominal  
 Max. System Pressure..... 3500 PSI - using SAE porting  
 Seal Type..... Buna-N  
 Relief Valves..... Differential type adjustable from 80 to 3000 PSI - 103.5 to 207 BAR  
 Preset at 2000 PSI - 138 BAR

Available in individual components or we can build you a custom engineered and tested valve assembly.



### AIR ACTUATORS

- C3520-DM ..... non-metering for APG 20 series
- C3820-DM ..... metering for APG 20 series
- C3535-DM ..... non-metering for APG 35 series
- C3835-DM ..... metering for for APG 35 series



### AIR CONTROLS

- VM-7 ..... 1 BANK
- VM7-2B2020 ..... 2 BANK (2) 20 DEG
- VM7-3B20S20 ..... 3 BANK 20, STR, 20
- VM7-4B35202035 ..... 4 BANK 35,20,20,35
- VM7-5B3520S2035 VAL 5BK 35, 20, STR, 20, 35

Should you not find what you are looking for, contact us at (918) 622-5600

Visit [www.apscopower.com](http://www.apscopower.com) for additional part numbers, installation instructions and dimensional drawings



APSCO's APV Series directional control valves are sectional, directionally controlled, and interchangeable with the very popular V20 Series. The APV valves can be used in parallel or open center circuit applications with manual, hydraulic, or pneumatic operation.

## FEATURES:

- APV 20 Series - compact size and lightweight to fit your installation needs.
- Compacted graphite, high-strength iron alloy for durability and shock load resistance.
- Precision machined spools with extra fine metering control and low spool forces.
- Available in SAE porting
- Stackable design to customize to your needs.
- Large variety of spool types and back cap options.
- Range of work port options including port reliefs, anti-cavitation valves, and power beyond capabilities
- Black phosphate finish for improved paint adhesion and reduction of surface rust.



CRANE



REFUSE



TOWING



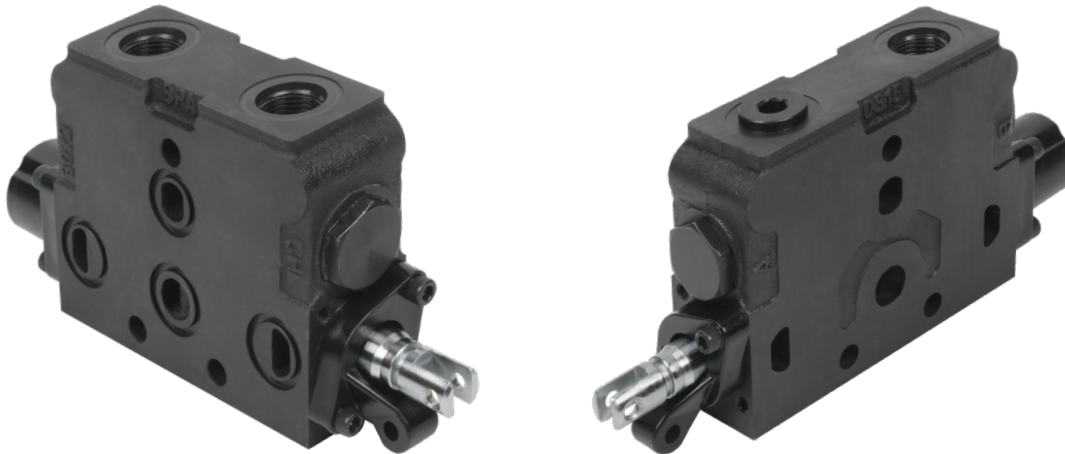
SNOW & ICE



DUMP BODY

Should you not find what you are looking for, contact us at (918) 622-5600

Visit [www.apscopower.com](http://www.apscopower.com) for additional part numbers, installation instructions and dimensional drawings



**SPECIFICATIONS:**

Design Type .....	Sectional
Circuit .....	Open center design: parallel
Capacity .....	Nominal flow 25 GPM, maximum flow 30 GPM
Maximum System Pressure .....	3500 PSI (242 BAR)
Filtration .....	25-Micron
Temperature .....	-20°F to 180°F (-29°C to 82°C)
Seal Type .....	Buna-N standard, optional Viton
Main Relief Valves .....	Screw adjustable
Port Relief Valves .....	Shim adjustable

Available in individual components or we can build you a custom engineered and tested valve assembly.

**AIR ACTUATORS**

- C-3526-DM . . . . . non-metering for APV-20
- C-3826-DM . . . . . metering for APV-20



**AIR CONTROLS**

- VM-7 . . . . . 1 BANK
- VM7-2B2020 . . . . . 2 BANK (2) 20 DEG
- VM7-3B20S20 . . . . . 3 BANK 20, STR, 20
- VM7-4B35202035 . . . . . 4 BANK 35,20,20,35
- VM7-5B3520S2035 . . . . . 5 BANK 35, 20, STR, 20, 35



Should you not find what you are looking for, contact us at (918) 622-5600

Visit [www.apscopower.com](http://www.apscopower.com) for additional part numbers, installation instructions and dimensional drawings

## HYDRAULIC SELECTOR VALVE THREE-WAY TWO-POSITION



**APSV-100-A**  
APSCO hydraulic selector  
valve with air shift



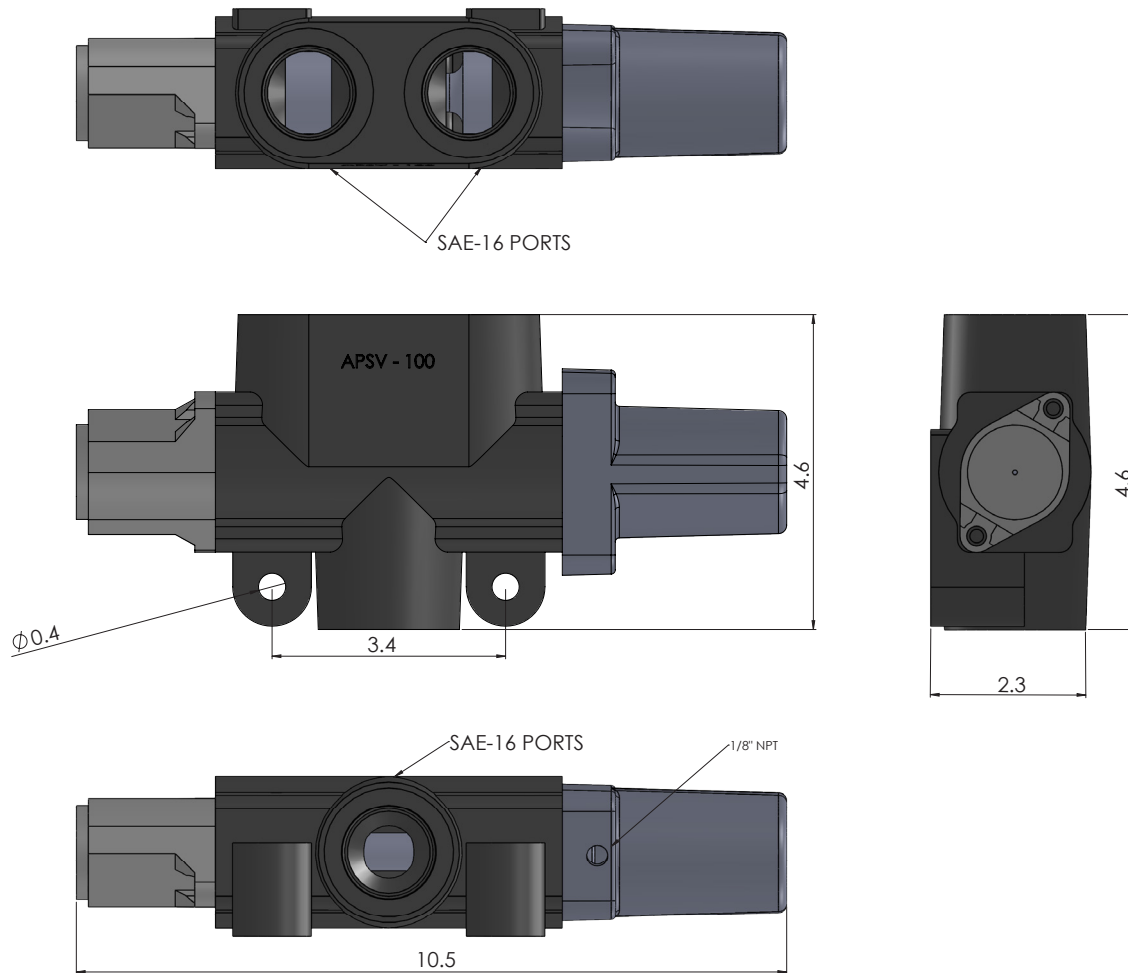
**APSV-100-M**  
APSCO hydraulic selector  
valve with manual shift

The APSCO APSV-100 is a three-way, two-position, selector valve. It is designed for directing flow from the pump to one of two hydraulic circuits. It is available as a manual shift or a pneumatically actuated valve that can be operated from the cab.

- Designed for multiple mobile applications
- Available with pneumatic direct mount actuator for use in single or double acting applications
- Available with 2-position manual push/pull control
- No exposed moving parts

Should you not find what you are looking for, contact us at (918) 622-5600

Visit [www.apscopower.com](http://www.apscopower.com) for additional part numbers, installation instructions and dimensional drawings



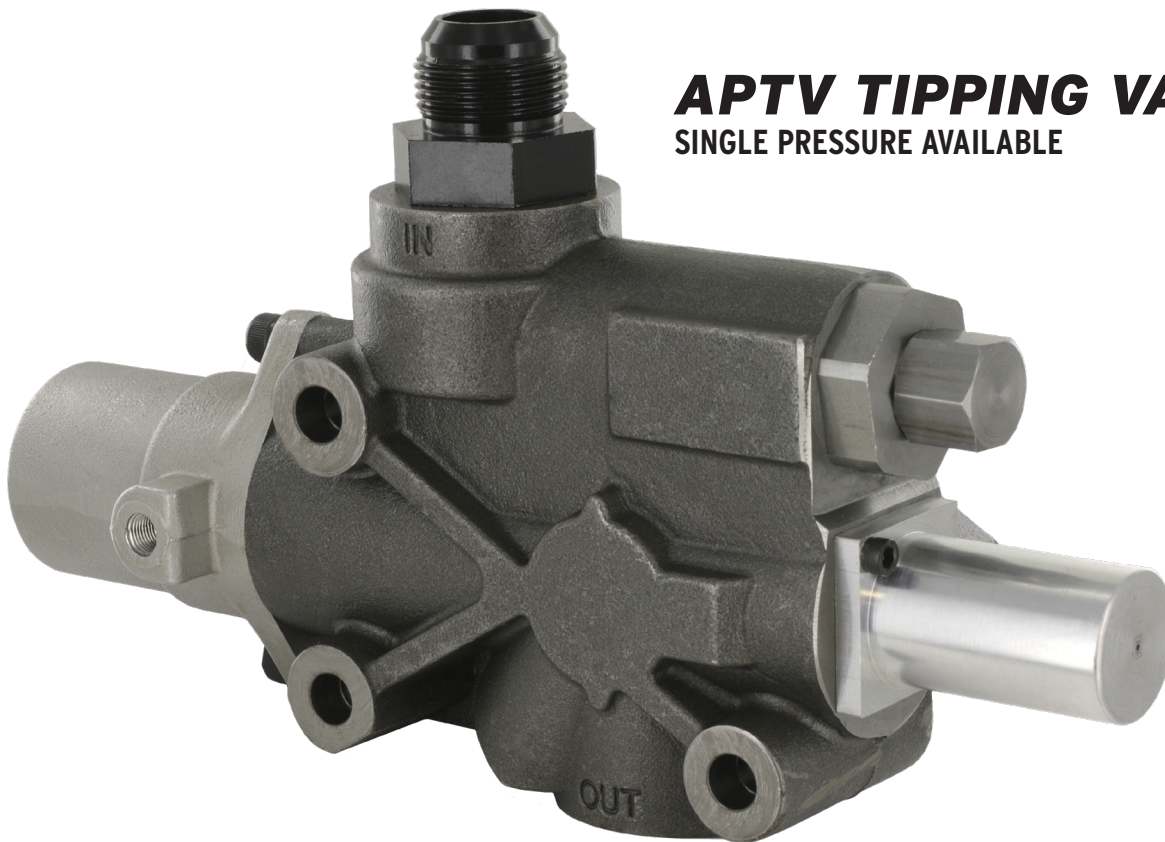
**Operation:** Flow enters the valve at the inlet port. When the actuator is pushed in, the spool shifts, allowing the inlet flow to reach the work port furthest away from the actuator. When the actuator is pulled out, the spool shifts allowing the inlet flow to reach the work port closest to the actuator.

- Flow rates up to 60 GPM
- Max working pressure up to 4000 PSI
- Port size & thread = SAE-16
- Ductile cast iron body
- Chrome-plated spool
- Metering notches for smooth transition
- Buna-N seals
- 2 bolt, any position mounting
- Manual or pneumatically actuated options

Should you not find what you are looking for, contact us at (918) 622-5600

Visit [www.apscopower.com](http://www.apscopower.com) for additional part numbers, installation instructions and dimensional drawings





## **APT<sub>V</sub> TIPPING VALVE**

**SINGLE PRESSURE AVAILABLE**

### **APT<sub>V</sub>-100 Single Pressure [Raise-Hold-Lower]**

#### **FEATURES:**

- Built in load check
- 1/8" NPT gauge port or indicator switch option on pressure port
- Ductile cast iron body
- Lightweight 2.3 lbs design with small envelope
- Single pressure direct acting relief
- 3 position [Raise-Hold-Lower]
- Direct tank mounting options

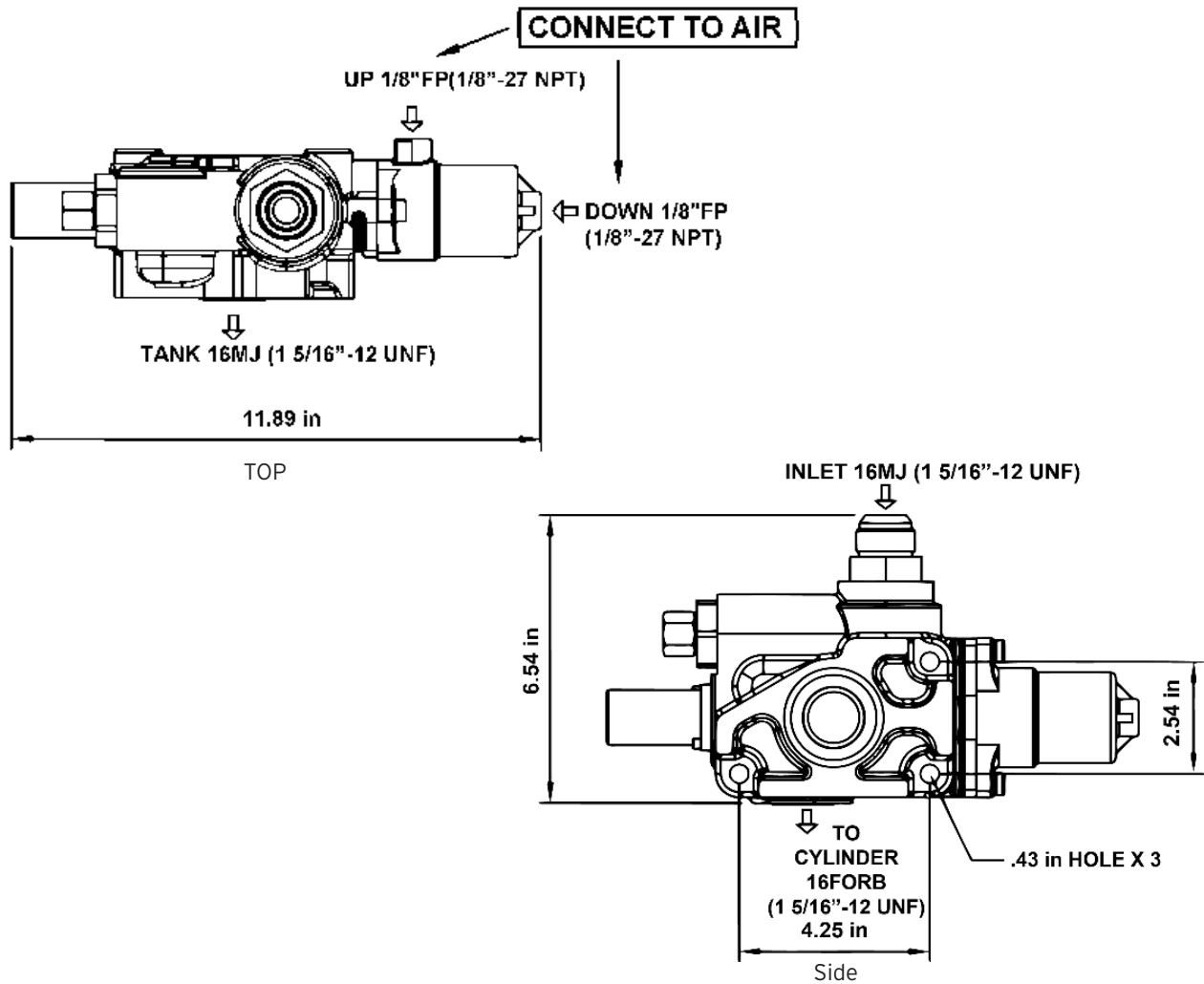


A perfect compliment to  
APSCO's AV Series valves

Should you not find what you are looking for, contact us at (918) 622-5600

Visit [www.apscopower.com](http://www.apscopower.com) for additional part numbers, installation instructions and dimensional drawings





**SPECIFICATIONS:**

- Flow rate: 66 GPM
- Max pressure: 3625 PSI
- Single pressure model: 2500 PSI
- Port size: SAE-16 O-ring
- Recommended Filtration: 25-Micron

**PART NUMBER:**

APT V-100 Single Pressure [Raise-Hold-Lower]

**SHIFT OPTIONS:**

1. AV Air Shift

**Markets:** Dump truck, Walking floor, Dump trailer, Wetline kits, Combo kits

Should you not find what you are looking for, contact us at (918) 622-5600

Visit [www.apscopower.com](http://www.apscopower.com) for additional part numbers, installation instructions and dimensional drawings



CONV-APS-8



CONV-APS-18



CONV-APS-10

**OVERVIEW:**

APSCO generic consoles intended for **End Dump Truck/Trailer** applications come in several configurations with options to control the hoist cylinder and engage the truck PTO. Standard features include a stainless steel lid with laser etched verbiage and powder coated steel base with access panel. Common features include openings for a tarp switch, tailgate air control valves, warning lights, and plugged openings for additional electric rocker switches or air control valves.

**FEATURES & OPTIONS:**

- Slimline and modular expansion base designs available
- Single axis feathering control hoist valve (VM-Series) options
- PTO/Hoist control valves (AV-295 Series) options
- Hoist only control valves (AV-195 Series options)
- Options to engage the PTO with air or electric rocker controls
- Air tailgate controls (latch & lift cylinders)
- Bed-up warning light
- PTO engaged warning light
- Tarp switch openings
- Blank openings for additional electric rocker switches or air valves

**DUMP CONSOLE - AIR PTO CONTROLS**

Standard features: PTO light, hoist control, tailgate latch control, and a side panel access.

Product Item Code	Description	Hi-Lift	Tarp Opening	Base Dim.	Wire	Tubing	M.E.**
CONV-APS-10 *	CONSOLE HOIST PTO TG TARP	N/A	Rotary	3.5"x11"x14"	Yes	Yes	N/A
CONV-APS-11 **	CONSOLE AV-295-M, VX-4-N	Opening	Rocker	6.7"x7.3"x14"	Yes	Yes	Side
CONV-APS-11-LT **	CONS AV-295-M/VX-4-N LESS TUBE	Opening	Rocker	6.7"x7.3"x14"	No	No	Side
CONV-APS-15 **	CONSOLE AV-295-DMH, VX-4-N	Opening	Rocker	6.7"x7.3"x14"	Yes	Yes	Side
CONV-APS-15-LT	CON AV-295-DMH, VX-4-N LESS TUBE	Opening	Rocker	6.7"x7.3"x14"	No	No	Side
CONV-APS-16	CONSOLE AV-295, V-8-S-TG, TARP	V-8-S-TG	Rocker	8.0"x7.0"x14"	Yes	No	N/A
CONV-APS-17	CONSOLE AV-295 / V-8-TGL	N/A	Rotary	6.1"x6.2"x14"	Yes	Yes	N/A
CONV-APS-17-LT	CONSOLE AV-295 / TGL LESS TUBE	N/A	Rotary	6.1"x6.2"x14"	No	No	N/A
CONV-APS-18 *,**	CONSOLE VM-8, VX-4-N	Opening	Rocker	6.7"x6.7"x14"	Yes	Yes	Rear
CONV-APS-18-LT *,**	CONSOLE VM-8, VX-4-N	Opening	Rocker	6.7"x6.7"x14"	Yes	No	Rear
CONV-APS-7	CONSOLE AV-295 / V-8-TG	N/A	Rotary	6.1"x6.2"x14"	Yes	Yes	N/A
CONV-APS-7-LT	CONSOLE AV-295 / TG LESS TUBE	N/A	Rotary	6.1"x6.2"x14"	No	No	N/A
CONV-APS-7-M	CONSOLE AV-295-M / V-8-TG	N/A	Rotary	6.1"x6.2"x14"	No	No	N/A
CONV-APS-8 **	CONSOLE AV-295, VX-4-N	Opening	Rocker	6.7"x7.3"x14"	Yes	Yes	Side
CONV-APS-8-LT **	CONSOLE AV-295 / VX-4-N LESS TUBE	Opening	Rocker	6.7"x7.3"x14"	No	No	Side

\* Bed Up Light Included  
 \*\*M.E. = Modular Expansion capability

Should you not find what you are looking for, contact us at (918) 622-5600  
 Visit [www.apscopower.com](http://www.apscopower.com) for additional part numbers, installation instructions and dimensional drawings



CONV-APS-20



CONV-APS-21



CONV-APS-9

### DUMP CONSOLE - ELECTRIC PTO CONTROLS

Standard features: PTO light, hoist control, tailgate latch control, and a side panel access.

Product Item Code	Description	Hi-Lift	Tarp Opening	Base Dim.	Wire	Tubing	M.E.**
CONV-APS-12 *	CONSOLE VM-8, V-8-TG, VR-5-EP	VR-3-EH	VR-16-MT	3.5"x11"x14"	Yes	Yes	N/A
CONV-APS-13 *	CONSOLE VM-8, V-8-TG LESS TARP	VR-3-EH	Rocker	(3.5x11x14)	Yes	Yes	N/A

\* Bed Up Light Included  
 \*\*M.E. = Modular Expansion capability

### DUMP CONSOLE - NO PTO CONTROLS

Standard features: PTO light, hoist control, tailgate latch control, and a side panel access.

Product Item Code	Description	Hi-Lift	Tarp Opening	Base Dim.	Wire	Tubing	M.E.**
CONV-APS-14 *	CONSOLE VM-8, V-8-TG, LESS PTO	VR-3-EH	VR-16-MT	3.5"x11"x14"	Yes	Yes	N/A
CONV-APS-9 **	CONSOLE AV-195, VX-4-N	Opening	Rocker	6.7"x7.3"x14"	Yes	Yes	Side
CONV-APS-9-LT **	CONSOLE AV-195 / VX-4-N LESS TUBE	Opening	Rocker	6.7"x7.3"x14"	No	No	Side

\* Bed Up Light Included  
 \*\*M.E. = Modular Expansion capability

### DUMP CONSOLE - CABLE CONTROL OPENING

Standard features: PTO Light, bed-up light, tailgate latch control and side access panel.

Product Item Code	Description	Hi-Lift	Tarp Opening	Base Dim.	Wire	Tubing	M.E.**
CONV-APS-20 *,**	CONSOLE CUSTOMER CABLE CONTROL / VX-4 / 2 SWITCH OPENINGS	Opening	Opening	6.7"x6.7"x14"	No	No	Side
CONV-APS-21 *,**	CONSOLE CUSTOMER CABLE CONTROL / VX-4 / 3 SWITCH OPENINGS	Opening	Opening	6.7"x7.3"x14"	No	No	Side

\* Bed Up Light Included  
 \*\*M.E. = Modular Expansion capability

Should you not find what you are looking for, contact us at (918) 622-5600

Visit [www.apscopower.com](http://www.apscopower.com) for additional part numbers, installation instructions and dimensional drawings



**CONV-UNI-4**

**OVERVIEW:**

APSCO generic consoles intended for **Snow and Ice** applications include standard features to support various application requirements. Standard features include a stainless steel lid with laser etched verbiage, powder coated steel base with access panel, and VM Series feathering control valves.

**FEATURES & OPTIONS:**

- VM-8 single axis feathering control valve
- VM-10-C dual axis feathering control valve
- PTO engage electric rocker switch with guard
- Air tailgate latch electric rocker switch with guard
- PTO engaged warning light
- Bed up warning light
- Strobe & work light electric toggle switches
- Blank openings for additional electric rocker switches
- Optional VM-Series multi-bank consoles or pedestals are shown in our VM-Series section.

**SNOW AND ICE CONSOLES**

Snow and ice consoles	Description	PTO Part	Hoist	Tailgate Latch	Plow Up Down Left Right	Auxiliary Openings	Base Dim.	Wire	Tubing
CONV-UNI-4	CONSOLE VM-8, VM-10, ROCKER	VR-5-EP	VM-8	VR-2-ET	VM-10-C	2	11"x7.66"x14"	Yes	Yes

Should you not find what you are looking for, contact us at (918) 622-5600

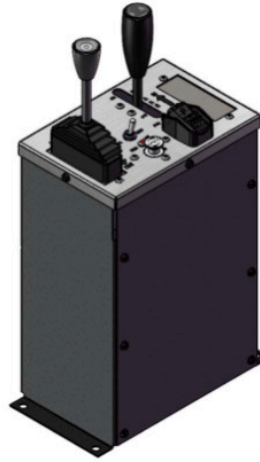
Visit [www.apscopower.com](http://www.apscopower.com) for additional part numbers, installation instructions and dimensional drawings



CONV-APS-1



CONV-APS-5



CONV-UNI-20



CONV-UNI-23

**OVERVIEW:**

APSCO generic consoles intended for **Winch Truck** applications come in several configurations intended to support various application requirements. Standard features include air control options to operate the winch clutch, brake, dogs, and truck PTO. A stainless steel lid with laser etched verbiage, powder coated steel base with access panel come standard.

**FEATURES & OPTIONS:**

- High/Low electric toggle switch for winch speed control
- Options to engage the PTO with air or electric rocker controls or push-pull valve
- Work and strobe light electric toggle switch options available
- PTO engaged warning light
- Dual-winch system controls
- Clutch disengage warning light

WINCH TRUCK CONSOLES							
Product Item Code	Description	PTO	Winch In/Out	Clutch (Dogs)	Brake	Hi-Low	Base Dim.
CONV-APS-1	Hydraulic Winch, Air PTO Rocker	VR-9-S	VM-7	V-8-STG	VM-2-X	Yes	8"x7"x14"
CONV-APS-5	Manual Winch	V-88	N/A	V-8-STG	VM-2-X	NA	6.1"x6.2"x14"
CONV-UNI-20	Hydraulic Winch w/ bank VM series opening	VR-9-S	VM-7	V-8-STG	VM-2-X	Yes	6"x9"x14"
CONV-UNI-23	(2) Hydraulic, (1) Mechanical	VR-9-S	VM-8	V-8-S-TGL	VM-2-X	Yes	11.12"x7.66"x14"

Should you not find what you are looking for, contact us at (918) 622-5600  
 Visit [www.apscopower.com](http://www.apscopower.com) for additional part numbers, installation instructions and dimensional drawings



CONV-LSM



CONV-RSM



CONV-UNI-3



CONV-4E

**OVERVIEW:**

Intended for use with APSCO Modular Expansion console assemblies. Standard features include a stainless steel lid with laser etched custom verbiage and logo. The user can easily add additional electric switch(s) and/or lift axle controls to their console assembly. It provides the flexibility to satisfy multiple project requirements when combined with a console assembly designed for modular expansion.

**FEATURES & OPTIONS:**

Options for mounting on left, right, front or rear of console assemblies designed for modular expansion

Lift axle controls include pressure gauge, regulator and push-pull valve

Powder coated steel base with access panel.

Steerable and non-steerable lift axle control options are available

Use with APSCO "VR" or "VRN" electric rocker switches (hole plugs available upon request)

**MODULAR EXPANSION CONSOLES**

Product Item Code	Description	Mount Orientation
CONV-3A-LSM	LIFT AXLE, NON STEERABLE	Left
CONV-3AE-LSM	LIFT AXLE, STEERABLE	Left
CONV-3A-RSM	LIFT AXLE, NON STEERABLE	Right
CONV-3AE-RSM	LIFT AXLE, STEERABLE	Right
CONV-3A-SM-1	LIFT AXLE, NON STEERABLE	Rear
CONV-3A-SM-2	LIFT AXLE, NON STEERABLE, LESS REGULATOR	Rear
CONV-UNI-3A	LIFT AXLE, NON STEERABLE	Rear
CONV-UNI-3AE	LIFT AXLE, STEERABLE	Rear
CONV-4E-CAR	CARLING (VRN) SWITCH OPENINGS = 0.83" X 1.45"	Right of Left
CONV-4E-VR	EATON (VR) SWITCH OPENINGS = 0.87" X 1.74"	Right of Left

Should you not find what you are looking for, contact us at (918) 622-5600

Visit [www.apscopower.com](http://www.apscopower.com) for additional part numbers, installation instructions and dimensional drawings





Let APSCO work with you to develop a control console that meets your needs and application. We will work closely with you to design a console that will bring savings to your operation and value to your customers.

2-6

#### OVERVIEW:

Standard features include a stainless steel lid with laser etched custom verbiage and logo. Common features include AV-Series or VM-Series mounted air control valves, electric rocker switches, push-pull air control valves, warning lights/buzzers, and additional blank openings for optional electric rocker switches or air control valves.

#### COMMON AVAILABLE OPTIONS:

USB charging ports

Fuse panels

Various warning lights and buzzers options available

Backlit electric rocker switch options

Powder coated steel base with access panel.

Various rocker, button, and toggle switch options

Lift axle controls, regulators, and pressure gauges

Options to mount modular expansion consoles to satisfy future project requirements

Pre-plumbed air and electrical wiring harness

A minimum quantity is required for your order to request a unique console assembly. Please contact us at [sales@apscopower.com](mailto:sales@apscopower.com) or at (918) 622-5600 for more information.

Should you not find what you are looking for, contact us at (918) 622-5600

Visit [www.apscopower.com](http://www.apscopower.com) for additional part numbers, installation instructions and dimensional drawings



CON-3AE

**OVERVIEW:**

APSCO'S Lift Axle Control Panels are made with a 14-gauge, stainless steel face plates populated with a push-pull valve, regulator, and illuminated gauge. This panel is also offered with an electric solenoid to facilitate steerable lift axles, raising the axle when put in reverse gear.

**FEATURES & OPTIONS:**

Pre-plumbed offers quick, easy installation

Illuminated gauge

3/8" and 1/4" outlets available

Optional electric solenoid available with auto lift activation when docking vehicle with steerable axle.

When energized the valve shifts and will remain switched until it is manually reset by pushing in the spool on the valve

Private label available for volume orders

**LIFT AXLE CONTROL PANEL ASSEMBLIES - PART NUMBERS**

PART #	DESCRIPTION
CON-3	LIFT AXLE PANEL WITH 3/8" FITTINGS (REGULATOR & GAUGE ONLY)
CON-3A	LIFT AXLE PANEL WITH 3/8" FITTINGS (FOR NON-STEERABLE APPLICATIONS)
CON-3A-25	LIFT AXLE PANEL WITH 1/4" FITTINGS (FOR NON-STEERABLE APPLICATIONS)
CON-3AE	LIFT AXLE PANEL WITH 3/8" FITTINGS AND ELECTRIC SOLENOID (FOR STEERABLE APPLICATIONS)
CON-3AE-25	LIFT AXLE PANEL WITH 1/4" FITTINGS AND ELECTRIC SOLENOID (FOR STEERABLE APPLICATIONS)

**LIFT AXLE CONTROL PANEL - PARTS LIST**

PART #	DESCRIPTION
VX-4	2 POSITION 4 WAY PUSH-PULL VALVE W/ 1/4" PORTS
VL-5-ES	2 POSITION 4 WAY PUSH-PULL VALVE W/ 1/4" PORTS AND SOLENOID
RK-1600	PRESSURE REGULATOR 1/4" PORTS 135 CFM @ (100PSI (0-125PSI)
6000	ILLUMINATED GAUGE (0-160 PSI)



ALC-100



ALC-110

**OVERVIEW:**

APSCO'S Lift Axle Control Enclosures are intended to be mounted outside of the cab for use in harsh outdoor environments. The control valves are mounted within a waterproof polycarbonate enclosure. Each valve body port is clearly labeled with easy access, external to the enclosure. APSCO lift axle controls are suitable for use with non-steerable or steerable axles (ability to automatically raise the lift axle when reverse gear is engaged).

We offer various design options including:

- Air pilot control
- Electric solenoid control
- Push-pull valve control
- Internal and external accessible pressure regulator/gauge
- Wiring and tubing harness options

**FEATURES & OPTIONS:**

- |  |   |
|--|---|
| Durable impact resistant polycarbonate enclosure                                 | Continuous silicone rubber gasket for watertight seal |
| Corrosion resistant design   | NEMA & IP ratings for outdoor use                     |
| Weatherproof design ensures internal components are protected in any environment | Stainless steel hardware                              |

**LIFT AXLE CONTROL ENCLOSURE ASSEMBLIES - PARTS LIST**

PART #	DESCRIPTION
ALC-100	LIFT AXLE ENCLOSURE (WATERPROOF), STEERABLE & NON-STEERABLE APPLICATIONS. 12V DC ELECTRIC SOLENOID, 25' WIRE HARNESS. REGULATOR, PRESSURE GAUGE, AND 3/8" PORT FITTINGS.
ALC-110	LIFT AXLE ENCLOSURE (WATERPROOF), CLEAR LATCHING LID. REGULATOR, PRESSURE GAUGE, PSI INSPECTION PORT, AND 3/8" PORT FITTINGS.

**LIFT AXLE CONTROL ENCLOSURE - PARTS LIST**

PART #	DESCRIPTION
8010	ALC-100 PRESSURE GAUGE
DX-2	ALC-100 EXHAUST PROTECTORS
WH-4	ALC-100 WIRING HARNESS
6002	ALC-100 ELECTRICAL RELAY
PP-470	PRESSURE PROTECTION VALVE
AQX-03	QUICK EXHAUST VALVE
8112	TOGGLE SWITCH (WATERPROOF)
8073	ALC-100/ALC-110 BREATHER VENT
8010	ALC-110 PRESSURE GAUGE

Should you not find what you are looking for, contact us at (918) 622-5600

Visit [www.apscopower.com](http://www.apscopower.com) for additional part numbers, installation instructions and dimensional drawings



From the beginning, APSCO products have been designed and manufactured for the heavy truck and mobile equipment industries. Our tailgate latch cylinders are no exception. In today's tailgate locking applications, a stable, reliable, and fast latch is mandatory. More drivers, manufacturers, and distributors are counting on APSCO tailgate latch kits to ensure a quick and strong latching or unlatching of the tailgate. Operators have peace of mind that their cylinders will remain durable over time and in harsh environments.

With a variety of strokes and bores to fit nearly any body or trailer, APSCO tailgate latch cylinders have become the leader in the industry for OEMs, aftermarket and replacement parts.

APSCO valve and fitting kits are available for all cylinders, making installation efficient and easy.

### Features and Benefits

Proven design – maintenance and service free

High tensile steel rods – plated for corrosion resistance

Manufactured in the USA – highest quality assured

### Options

Piston rod available in stainless steel

Any cylinder can be ordered complete with clevis and pins

Spring return cylinders are also available

Various stroke lengths available upon request

Low temperature seals



## TAILGATE LATCH CYLINDER PART NUMBER LIST

CYLINDER PART #	DESCRIPTION	BORE	STROKE	PORT	P-ROD THREAD	FORCE @ 100 PSI	SEAL KIT #
C-5103-SR	CYL 2.5 X 3 SR 10 BR	2.50"	3.00"	1/4 NPT	5/8"-18	487	SK-2609
C-5180S	CYL. 2.5 X 4 DA 10 BR	2.50"	4.00"	1/4 NPT	5/8"-18	490	SK-2609
C-5078-PK	CYL 2.50 X 4.00 SE 8 BR WITH CLEVIS	2.50"	4.00"	1/4 NPT	1/2"-20	378	SK-2609
C-5026-PK	CYL. 2.5 X 6 DA 10 BR	2.50"	6.00"	1/4 NPT	5/8"-18	490	SK-2609
C-5026S-PK	CYL. 2.5 X 6 DA 10 BR	2.50"	6.00"	1/4 NPT	5/8"-18	490	SK-2609
C-5091	CYL. 2.5 X 6 SE	2.50"	6.00"	1/4 NPT	5/8"-18	490	SK-2609
C-5097-SE-PK	CYL. 2.5 X 6 SE 10 BR PK	2.50"	6.00"	1/4 NPT	5/8"-18	490	SK-2609
C-5063	CYL 2.5 X 6 SR 10 BR	2.5"	6.00"	1/4 NPT	5/8"-18	490	SK-2609
C-5075-PK	CYL. 2.5 X 7.5 DA 10 BR	2.50"	7.50"	1/4 NPT	5/8"-18	490	SK-2609
C-5070	CYL. 2.5 X 8 DA 10 BR	2.50"	8.00"	1/4 NPT	5/8"-18	490	SK-2609
C-5070-PK	CYL. 2.5 X 8 DA 10 BR	2.50"	8.00"	1/4 NPT	5/8"-18	490	SK-2609
C-5070S	CYL. 2.5 X 8 DA 10 BR	2.50"	8.00"	1/4 NPT	5/8"-18	490	SK-2609
C-5072	CYL. 2.5 X 8 DA 10 BR	2.50"	8.00"	1/4 NPT	5/8"-18	490	SK-2609
C-5094	CYL. 2.5 X 8 DA 10 BR	2.50"	8.00"	1/4 NPT	5/8"-18	490	SK-2609
C-5450	CYL. 2.5 X 8 DA 8 BR	2.50"	8.00"	1/4 NPT	1/2"-20	490	SK-3107
C-5080	CYL. 2.5 X 10 DA 8 BR	2.50"	10.00"	1/4 NPT	5/8"-18	490	SK-2609
C-5081-PK	CYL. 2.5 X10 DA 10 BR	2.50"	10.00"	1/4 NPT	5/8"-18	490	SK-2609
C-5331-PK	CYL. 2.5 X 14 DA 8 BR	2.50"	14.00"	1/4 NPT	5/8"-18	490	SK-2609
C-6101-SR-PK	CYL 3.5 X 3.0 SR 12 PK	3.5"	3.00"	1/4 NPT	5/8"-18	974	SK-1779
C-6203-SR	CYL 3.5 X 3.0 SR 10 BR	3.5"	3.00"	1/4 NPT	5/8"-18	986	SK-5482

Should you not find what you are looking for, contact us at (918) 622-5600

Visit [www.apscopower.com](http://www.apscopower.com) for additional part numbers, installation instructions and dimensional drawings



### TAILGATE LATCH CYLINDER PART NUMBER LIST

CYLINDER PART #	DESCRIPTION	BORE	STROKE	PORT	P-ROD THREAD	FORCE @ 100 PSI	SEAL KIT #
C-6103-PK	CYL. 3.5 X 4 DA 16 BR PK	3.5"	4.00"	1/4 NPT	1"-14	962	SK-3037
C-6097-PK	CYL. 3.5 X 5.75 DA 16NS BR PK	3.50"	5.75"	1/4 NPT	1"-14	962	SK-3037
C-6053S-PK	CYL. 3.5 X 6.00 DA 10 BR	3.50"	6.00"	1/4 NPT	5/8"-18	962	SK-1779
C-6057-PK	CYL. 3.5 X 6 DA 10 BR	3.50"	6.00"	1/4 NPT	5/8"-18	962	SK-1779
C-6063	CYL. 3.5 X 6 DA 12NC BE	3.50"	6.00"	1/4 NPT	3/4"-10	962	SK-1779
C-6084-PK	CYL. 3.5 X 6 DA 10 BR	3.50"	6.00"	1/4 NPT	5/8"-18	962	SK-1779
C-6086-PK	CYL. 3.5 X 6 DA 16NS BR	3.50"	6.00"	1/4 NPT	1"-14	962	SK-3037
C-6102-P	CYL. 3.5 X 6 DA 12 BR P	3.5"	6.00"	1/4 NPT	3/4"-16	962	SK-3037
C-6004	CYL. 3.5 X 8 DA 12NC BE	3.50"	8.00"	1/4 NPT	3/4"-10	962	SK-3037
C-6009-PK	CYL. 3.5 X 8.00 DA 10 BR	3.50"	8.00"	1/4 NPT	5/8"-18	962	SK-1779
C-6011-PK	CYL. 3.5 X 8.00 DA 10 BR	3.50"	8.00"	1/4 NPT	5/8"-18	962	SK-1779
C-6023-PK	CYL. 3.5 X 8.00 DA 10 BR	3.50"	8.00"	1/4 NPT	5/8"-18	962	SK-1779
C-6023S-PK	CYL. 3.5 X 8.00 DA 10 BR	3.50"	8.00"	1/4 NPT	5/8"-18	962	SK-1779
C-6059-F-PK	CYL. 3.5 X 8.00 DA 10 BR	3.50"	8.00"	1/4 NPT	5/8"-18	962	SK-1779
C-6059-E-PK	CYL. 3.5 X 8.00 DA 10 BR W/ ELECTRIC SOLENOID	3.50"	8.00"	1/4 NPT	5/8"-18	962	SK-1779
C-6080	CYL. 3.5 X 8 DA 12 NC BE	3.50"	8.00"	1/4 NPT	3/4"-10	962	SK-1779
C-6068-PK	CYL. 3.5 X 8 DA 8 BR PK	3.50"	8.00"	1/4 NPT	5/8"-18	962	SK-1779
C-6081-PK	CYL. 3.5 X 8 DA 16NS BR	3.50"	8.00"	1/4 NPT	1"-14	962	SK-3037
C-6089-PK	CYL. 3.5 X 8.00 DA 10 BR	3.50"	8.00"	1/4 NPT	5/8"-18	962	SK-1779
C-6090-PK	CYL. 3.5 X 8.00 DA 10 BR	3.50"	8.00"	1/4 NPT	5/8"-18	962	SK-1779
C-6093-PK	CYL. 3.5 X 8 DA 10 BR	3.50"	8.00"	1/4 NPT	5/8"-18	962	SK-1779
C-6096-E-WP-PK	CYL. 3.5 X 8 DA 16NS BR PK	3.50"	8.00"	1/4 NPT	1"-14	962	SK-3037
C-6096-PK	CYL. 3.5 X 8 DA 16NS BR PK	3.50"	8.00"	1/4 NPT	1"-14	962	SK-3037
C-6318-PK	CYL. 3.5 X 8 DA 10 BR PK	3.50"	8.00"	1/4 NPT	5/8"-18	962	SK-1779
C-6010	CYL. 3.5 X 10.00 DA 10 BR	3.50"	10.00"	1/4 NPT	5/8"-18	962	SK-1779
C-0410-SR	CYL. 4 X 4.6 SR TR	4.00"	4.60"	1/4 NPT	3/4"-16	285	
C-0411-SR	CYL. 4 X 4.6 SR TR	4.00"	4.60"	3/8 NPT	3/4"-16	661	
C-0406-PK	CYL. 4 X 6 DA 16 BR PK	4.00"	6.00"	1/2 NPT	1"-14	1257	SK-5361

**KEY**

- 1 = 1.0" Pins
- BE = Block End
- BR = Bracket End Mount
- DA = Double Acting
- E = Electric Solenoid
- F = Fittings
- HM = Hinge Mount
- PK = Pin Kit
- S = Stainless Piston Rod
- SE = Spring Extend
- SR = Spring Return
- TR = Trunion Mount

Should you not find what you are looking for, contact us at (918) 622-5600

Visit [www.apscopower.com](http://www.apscopower.com) for additional part numbers, installation instructions and dimensional drawings



### STANDARD

APSCO air cylinders offer a variety of solutions for your dump trailer or dump body's high lift tailgate needs. Designed for the truck and mobile equipment industries, rod wipers come standard on every high lift cylinder; as well as bearing blocks on the longer strokes. Choose the same high lift cylinder chosen by dump body manufacturers all over the world, APSCO high lift. APSCO valve and fitting kits are available for all cylinders, making installation efficient and easy.



### TWIN

In the past dump bodies with higher sides and gates, had to sacrifice bed width to accommodate the larger cylinders needed to lift the gate while staying within DOT regulations. APSCO engineers applied experience and innovation to provide a solution to the problem, while remaining cost effective. Our twin high lift cylinder provides all the necessary force required for taller gates, while fitting in a footprint that is 4" wide.



### ROUND

Our round cylinder design was developed in response to OEM initiatives to make trailer and body designs lighter. Our innovative design eliminates traditional tie rods and end caps resulting in **weight savings of up to 60% of traditional designs.**

#### Features and Benefits

- High tensile steel rods – plated for corrosion resistance for years of service free operation
- Manufactured in the USA – highest quality assured
- Lightweight design – allows greater payload

#### HIGH LIFT CYLINDER PART NUMBER LIST

CYL PART #	DESCRIPTION	CYLINDER TYPE	BORE	STROKE	PORT	P-ROD THREAD	FORCE @ 100 PSI	SEAL KIT #
C-0416-PK-1	CYL 4 X 16 1 PK	Aluminum Round	4.00"	16.00"	3/8 NPT	1"-14	1257 LBS	SK-5361
C-6224-PK-M	CYL 3.5 X 24 DA 16 BR PK	Tie Rod - Twin Cyl	Twin 3.50"	24.00"	3/8 NPT	1"-14	1924 LBS	SK-4974
C-7402-B-PK	CYL 4 X 20 DA 16 BR PK BE	Tie Rod	4.00"	20.00"	1/4 NPT	1"-14	1257 LBS	SK-3968
C-7402-PK	CYL 4 X 20 DA 16 BR PK	Tie Rod	4.00"	20.00"	1/4 NPT	1"-14	1257 LBS	SK-3968
C-7421-PK-M	CYL 4 X 20 DA 16 BR PK	Tie Rod	4.00"	20.00"	3/8 NPT	1"-14	1257 LBS	SK-3909
C-0424-PK	CYL 4 x 24 16 BR PK	Aluminum Round	4.00"	24.00"	3/8 NPT	1"-14	1257 LBS	SK-5361
C-0424-PK-1	CYL 4 x 24 16 BR 1 PK	Aluminum Round	4.00"	24.00"	3/8 NPT	1"-14	1257 LBS	SK-5361
C-7404-PK	CYL 4 X 24 DA 16 BR PK	Tie Rod	4.00"	24.00"	1/4 NPT	1"-14	1257 LBS	SK-3968
C-7424-B	CYL 4 X 24 DA 16 BR BE	Tie Rod	4.00"	24.00"	3/8 NPT	1"-14	1257 LBS	SK-3909
C-7424-PK	CYL 4 X 24 DA 16 BR PK	Tie Rod	4.00"	24.00"	3/8 NPT	1"-14	1257 LBS	SK-3909
C-7424-PK-M	CYL 4 X 24 DA 16 BR PK	Tie Rod	4.00"	24.00"	3/8 NPT	1"-14	1257 LBS	SK-3909
C-7426-PK	CYL 4 X 26 DA 16 BR PK	Tie Rod	4.00"	26.00"	3/8 NPT	1"-14	1257 LBS	SK-3909
C-0426-PK-1	CYL 4 X 26 1 PK	Aluminum Round	4.00"	26.00"	3/8 NPT	1"-14	1257 LBS	SK-5361
C-0427-PK-1	CYL 4 X 26 1 PK	Aluminum Round	4.00"	26.00"	3/8 NPT	1"-14	1257 LBS	SK-5361
C-0428-FC	CYL 4 x 28 FC	Aluminum Round	4.00"	28.00"	3/8 NPT	1"-14	1257 LBS	SK-5361

Should you not find what you are looking for, contact us at (918) 622-5600

Visit [www.apscopower.com](http://www.apscopower.com) for additional part numbers, installation instructions and dimensional drawings





**HIGH-LIFT CYLINDER PART NUMBER LIST**

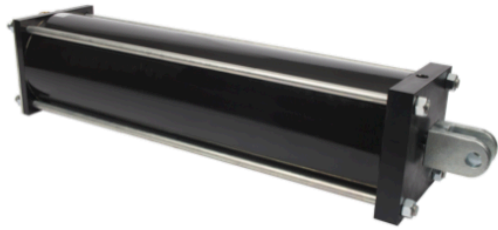
CYL PART #	DESCRIPTION	CYLINDER TYPE	BORE	STROKE	PORT	P-ROD THREAD	FORCE @ 100 PSI	SEAL KIT #
C-0429-FC-PK-1	CYL 4 x 29 FC 1 PK	Aluminum Round	4.00"	28.00"	3/8 NPT	1"-14	1257 LBS	SK-5361
C-0430-PK	CYL 4 x 30 PK	Aluminum Round	4.00"	30.00"	1/2 NPT	1"-14	1257 LBS	SK-5361
C-0430-PK-1	CYL 4 x 30 1 PK	Aluminum Round	4.00"	30.00"	1/2 NPT	1"-14	1257 LBS	SK-5361
C-0431-PK-1	CYL 4 x 30 1 PK	Aluminum Round	4.00"	30.00"	1/2 NPT	1"-14	1258 LBS	SK-5361
C-7403-PK	CYL 4 X 30 DA 16 BR PK	Tie Rod	4.00"	30.00"	3/8 NPT	1"-14	1257 LBS	SK-3909
C-7436	CYL 4 X 36 DA 16 BR	Tie Rod	4.00"	36.00"	3/8 NPT	1"-14	1257 LBS	SK-3909
C-8020-A-PK	CYL 5 X 20 DA 16BR ALUMINUM	Tie Rod	5.00"	20.00"	3/8 NPT	1"-14	1962 LBS	SK-4009
C-8120-B-PK	CYL 5 X 20 DA 16 BE PK	Tie Rod	5.00"	20.00"	3/8 NPT	1"-14	1963 LBS	SK-4009
C-8120-PK	CYL 5 X 20 DA 16 BR PK	Tie Rod	5.00"	20.00"	3/8 NPT	1"-14	1962 LBS	SK-4009
C-8120-PK-M	CYL 5 X 20 DA 16 BR PK	Tie Rod	5.00"	20.00"	3/8 NPT	1"-14	1963 LBS	SK-4009
C-8120-PK-1	CYL 5 X 19.7 DA 16BR 1 PK	Tie Rod	5.00"	20.00"	3/8 NPT	1"-14	1964 LBS	SK-4009
C-8024	CYL 5 X 24 DA 16 BR	Tie Rod	5.00"	24.00"	3/8 NPT	1"-14	1963 LBS	SK-4009
C-8028	CYL 5 X 28 DA 16 CL	Tie Rod	5.00"	28.00"	3/8 NPT	1"-14	1963 LBS	SK-4009
C-8030-PK	CYL 5 X 30 DA 16 CL PK	Tie Rod	5.00"	30.00"	3/8 NPT	1"-14	1963 LBS	SK-4009

**KEY**  
 1 = 1.0" Pins  
 B or BE = Block End (Rod)  
 FC = Flow Control  
 M = Muffler  
 PK = Pin Kit  
 DA = Double Acting  
 BR = Bracket Mount

Should you not find what you are looking for, contact us at (918) 622-5600  
 Visit [www.apscopower.com](http://www.apscopower.com) for additional part numbers, installation instructions and dimensional drawings



# CYLINDERS - BELLY DUMP



From the beginning, APSCO products have been designed and manufactured for the heavy truck and mobile equipment industries. Our belly dump cylinders are no exception. More drivers, manufacturers, and distributors are counting on APSCO belly dump cylinders to ensure a quick and strong operation. Operators have peace of mind that their cylinders will remain durable over time and in harsh environments.

With a variety of strokes and bores to fit nearly any body or trailer, APSCO belly dump cylinders have become the leader in the industry for both OEM and as aftermarket or replacement parts.

APSCO valve and fitting kits are available for all cylinders, making installation efficient and easy.

3-5

### Features and Benefits

Up to 36" stroke

Available with steel or composite tubes

6" or 8" bore

Easy to service tie rod cylinder design

Piston rods diameters up to 1.75"

Replaceable seal kits available upon request



### BELLY DUMP CYLINDER PART NUMBER LIST

CYL PART #	DESCRIPTION	CYLINDER TYPE	BORE	STROKE	PORT	P-ROD THREAD	FORCE @ 100 PSI	Seal Kit #
C-9620-C-PK	CYL 6 X 20 DA 16 BR PK	Composite	6.00"	20.00"	1/2 NPT	1.00"-14	2827 LBS	SK-2836
C-9817-C-PK-1	CYL 8 X 17 DA 16 BR PK	Composite	8.00"	17.00"	1/2 NPT	1.00"-14	5026 LBS	SK-7424
C-9802-PK	CYL 8 X 26 DA 20 BR PK	Steel	8.00"	26.00"	1/2 NPT	1.25"-12	5026 LBS	SK-4665
C-9830-C-PK-1	CYL 8 X 30 DA 16 BR PK	Composite	8.00"	30.00"	1/2 NPT	1.00"-14	5026 LBS	SK-7424
C-9853-C-PK-1	CYL 8 X 30 DA 16 BR PK	Composite	8.00"	30.00"	1/2 NPT	1.00"-14	5027 LBS	SK-8277
C-9873-C-PK-1	CYL 8 X 30 DA 16 BR PK	Composite	8.00"	30.00"	1/2 NPT	1.00"-14	5028 LBS	SK-7424
C-9836-C-PK-1	CYL 8 X 36 DA 16 BR PK	Composite	8.00"	36.00"	1/2 NPT	1.00"-14	5026 LBS	SK-8277
C-9876-C-PK-1	CYL 8 X 36 DA 16 PK	Composite	8.00"	36.00"	1/2 NPT	1.00"-14	5026 LBS	SK-8277

### KEY

1 = 1.0" Pins

BR = Bracket Mount

DA = Double Acting

M = Muffler

B or BE = Block End

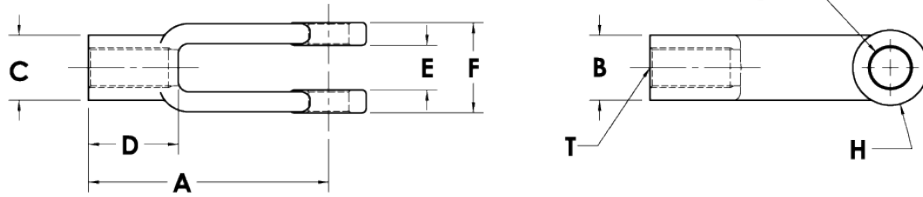
C- Composite Tube

FC = Flow Control

PK = Pin Kit

Should you not find what you are looking for, contact us at (918) 622-5600

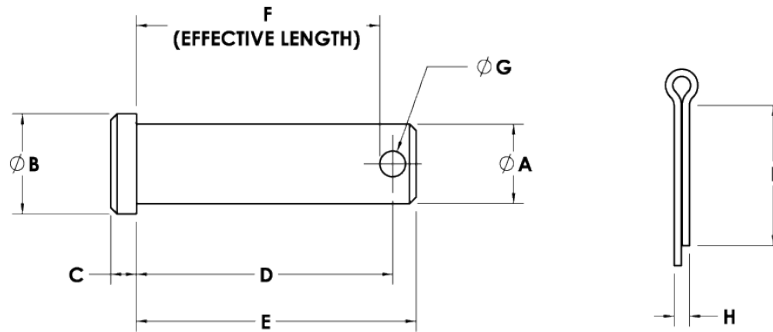
Visit [www.apscopower.com](http://www.apscopower.com) for additional part numbers, installation instructions and dimensional drawings


**CLEVIS PARTS LIST**

Clevis Part #	Thread Size	End Cent. Pin	Neck Height	Neck Width	Thread Lg	Slot Width	Width	Pin Size	Radius	Clevis Pin Part #	Cotter Pin Part #
1169	3/8-24 UNF	1.38"	.63"	0.63"	0.50"	0.44"	0.88"	0.38"	0.37"	1204	2357
1201	1/2-20 UNF	3.00"	.81"	0.81"	1.13"	0.56"	1.13"	0.50"	0.47"	3163	2357
1299	1/2-20 UNF	1.09"	.88"	1.00"	0.47"	0.57"	1.00"	0.50"	None	1202	2357
4588	1/2-20 UNF	1.38"	.63"	0.63"	0.53"	0.44"	0.88"	0.38"	0.34"	1204	2357
5104	1/2-20 UNF	1.75"	.88"	0.88"	0.50"	0.56"	1.26"	0.50"	0.47"	3163	2357
3162	5/8-18 UNF	1.75"	.88"	0.88"	0.50"	0.56"	1.25"	0.50"	0.47"	3163	2357
5362	1-14 UNS	3.13"	2.00"	2.00"	1.13"	1.13"	2.00"	0.75"	1.00"	3940A	2355
6995	1-14 UNS	3.00"	2.00"	2.00"	1.00"	1.13"	2.00"	1.00"	1.00"	5439	4021
6743	1-14 UNS	3.25"	2.50"	2.00"	1.25"	1.54"	2.50"	1.00"	1.00"	4969	4021
7213	1-14 UNS	3.25"	2.50"	2.50"	1.28"	1.29"	2.50"	1.25"	1.25"	7212	4021
7230	1-14 UNS	3.13"	2.50"	2.50"	1.06"	1.29"	2.50"	1.00"	1.25"	4969	4021
7265	1-14 UNS	3.75"	2.50"	2.50"	1.52"	1.54"	2.50"	1.00"	1.25"	4969	4021
7014	1 1/8-12 UNF	4.62"	2.00"	2.50"	1.14"	1.25"	2.50"	1.00"	1.00"	4969	4021
4131	1 1/4-12 UNF	3.75"	2.50"	2.50"	1.50"	1.54"	2.50"	1.00"	1.00"	4969	4021
4910	1 1/4-12 UNF	3.00"	2.50"	2.50"	1.50"	1.54"	2.50"	1.00"	1.00"	4969	4021

Should you not find what you are looking for, contact us at (918) 622-5600

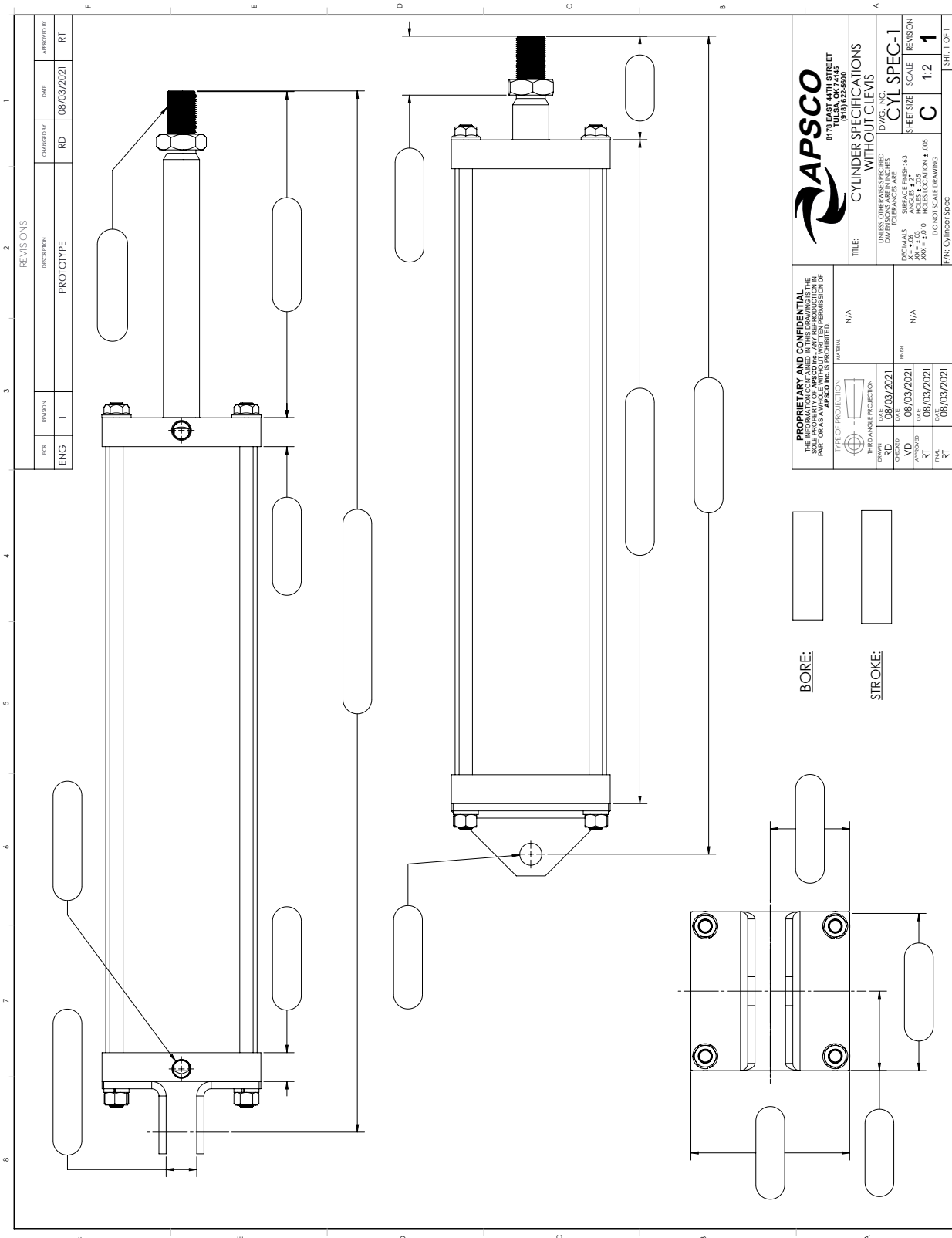
Visit [www.apscopower.com](http://www.apscopower.com) for additional part numbers, installation instructions and dimensional drawings



CLEVIS PIN PARTS LIST										
Clevis Pin Part #	Pin Dia	Head Dia	Head Thick	Pin Hole Center	Pin Length	Effective Length	Cotter Hole Dia	Cotter Dia	Cotter Length	Cotter Pin Part #
1204	0.38"	0.50"	0.13"	0.95"	1.13"	0.87"	0.16"	0.13"	1.18"	2357
1202	0.50"	0.63"	0.16"	1.22"	1.38"	1.14"	0.16"	0.13"	1.18"	2357
3163	0.50"	0.63"	0.16"	1.35"	1.50"	1.27"	0.16"	0.13"	1.18"	2357
4542	0.50"	0.63"	0.16"	1.60"	1.75"	1.52"	0.16"	0.13"	1.18"	2357
3940	0.75"	0.94"	0.25"	1.85"	2.00"	1.77"	0.16"	0.13"	1.40"	2355
3940A	0.75"	0.94"	0.25"	2.35"	2.50"	2.27"	0.16"	0.13"	1.40"	2355
4019	1.00"	1.18"	0.35"	2.05"	2.25"	1.95"	0.20"	0.19"	2.00"	4021
5439	1.00"	1.18"	0.35"	2.30"	2.50"	2.20"	0.20"	0.19"	2.00"	4021
4969	1.00"	1.18"	0.35"	2.80"	3.00"	2.70"	0.20"	0.19"	2.00"	4021
7212	1.25"	1.50"	0.35"	2.75"	3.25"	2.63"	0.25	0.19"	2.00"	4021

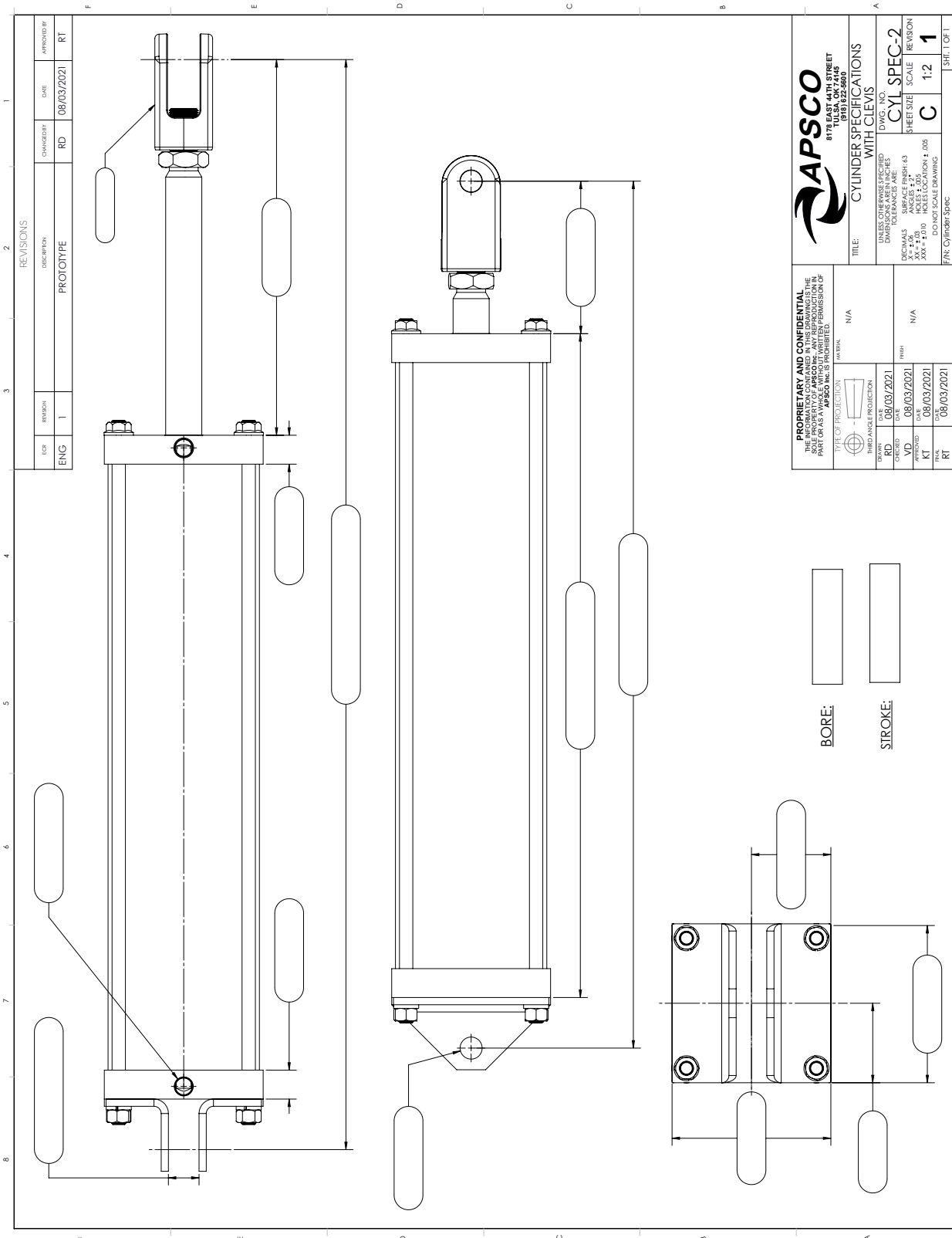
Should you not find what you are looking for, contact us at (918) 622-5600

Visit [www.apscopower.com](http://www.apscopower.com) for additional part numbers, installation instructions and dimensional drawings



Should you not find what you are looking for, contact us at (918) 622-5600

Visit [www.apscopower.com](http://www.apscopower.com) for additional part numbers, installation instructions and dimensional drawings



REVISIONS		CHANGED BY	DATE	APPROVED BY
ECR	REVISION	RD	08/03/2021	RT
ENG	1	PROTOTYPE		

<b>APSCO</b>		DWG. NO. <b>CYL SPEC-2</b> SHEET SIZE <b>C</b> SCALE <b>1:2</b> REVISION <b>1</b>	
TITLE: <b>CYLINDER SPECIFICATIONS WITH CLEVIS</b>		DIMENSIONS UNLESS SPECIFIED OTHERWISE ARE IN INCHES TOLERANCES ARE: XX ± .05 XXX ± .010 XXXX ± .010 HOLE ± .004 DO NOT SCALE DRAWING	
PROPRIETARY AND CONFIDENTIAL THE INFORMATION CONTAINED IN THIS DRAWING IS THE PROPERTY OF APSCO. IT IS TO BE USED FOR THE PART OR AS A WAREHOUSE PART WITHOUT WRITTEN PERMISSION OF APSCO.		TYPE OF PROJECTION: <b>1ST ANGLE</b> THIRD ANGLE PROJECTION: <b>RT</b>	
DATE: <b>08/03/2021</b> CHECKED: <b>VD</b> APPROVED: <b>RT</b>		DATE: <b>08/03/2021</b> DATE: <b>08/03/2021</b> DATE: <b>08/03/2021</b>	
N/A N/A N/A		N/A N/A N/A	
BORE: <input type="text"/> STROKE: <input type="text"/>		SHEET 1 OF 1	

Should you not find what you are looking for, contact us at (918) 622-5600

Visit [www.apscopower.com](http://www.apscopower.com) for additional part numbers, installation instructions and dimensional drawings





**Dump Pump Actuators**



**Hydraulic Valve Actuators**

**Options**

The APSCO DM Series air actuators control the opening and closing of hydraulic valves or operating dump pumps. Metering air actuators provide a cost effective alternative to cable controls. APSCO's solution saves labor and installation costs by eliminating the service and maintenance issues associated with cable controls. APSCO offers the DM series with or without metering (proportional or feathering control).

**Features and Benefits**

- Simple 3 step installation – saves valuable installation labor and cost
- No exposed moving parts – allows years of service free operation
- Non-binding technology – provides the very best performance and function
- Compact size = weight savings

**Non-Metering Dump Pump Actuators**

MANUFACTURER	SERIES	APSCO P/N NON-METERING	SEAL REPAIR KIT
Parker (Commercial)	C101/102	C-3505-DM	SK-3329-DM
Permco	DM640/DMD25 Aftermarket Airshift	C-3505-DM	SK-3329-DM
Permco	DMD640/DMD25 Factory Airshift	C-3506-DM	SK-3506
Muncie	E/E2XL	C-3505-DM	SK-3329-DM
Parker (Commercial)	G101/102	C-3508-DM	SK-4266
Muncie	S2	C-3508-DM	SK-4266
Permco	DM300, DM400	C-3503-DM	SK-4266
Williams	Series 4 (3 Bolts)	C-2529	SK-3109
Williams	Series 6, 7, 8 (4 Bolts)	C-2533	SK-3109
Permco	Gemini DG-20/RG-20	C-5700-HP	SK-5700

**Metering Dump Pump Actuators**

MANUFACTURER	SERIES	APSCO P/N METERING	SEAL REPAIR KIT
Parker (Commercial)	C101/102	C-3805-DM	SK-4814
Permco	DM640/DMD25	C-3805-DM	SK-4814
Muncie	E/E2XL	C-3805-DM	SK-4814

Should you not find what you are looking for, contact us at (918) 622-5600

Visit [www.apscopower.com](http://www.apscopower.com) for additional part numbers, installation instructions and dimensional drawings

## C-35xx-DM SERIES NON-METERING HYDRAULIC VALVE ACTUATORS



C-3526-DM

## C-38xx-DM SERIES METERING HYDRAULIC VALVE ACTUATORS



C-3826-DM

### Options

The APSCO DM Series air actuators control the opening and closing of hydraulic valves or operating dump pumps. Metering air actuators provide a cost effective alternative to cable controls. APSCO's solution saves labor and installation costs by eliminating the service and maintenance issues associated with cable controls. APSCO offers the DM series with or without metering (proportional or feathering control).

### Features and Benefits

- Simple 3 step installation – saves valuable installation labor and cost
- No exposed moving parts – allows years of service free operation
- Non-Binding technology – provides the very best performance and function
- Compact size = weight savings

### Non-Metering Hydraulic Valve Actuators

MANUFACTURER	SERIES	APSCO P/N NON-METERING	SEAL REPAIR KIT
Cross	BA Series	C-3570-DM	SK-4084
Husco	SCX Series	C-3572-DM	
Husco	6000 Series - 3/8"- 24	C-3546-DM	
HydroControls	D-16	C-3516-DM	
Muncie	20	C-3526-DM	SK-4170
Muncie	60	C-3520-DM	SK-4084
Muncie	90	C-3535-DM	SK-4065
Parker (Comercial)	A20	C-3520-DM	SK-4084
Parker (Comercial)	A35	C-3535-DM	SK-4065
Parker (Gresen)	V20-K4 Float	C-3526-DMK4	
Parker (Gresen)	V42	C-3542-DM	SK-4084
Parker (Gresen)	V70/V90	C-3590-DM	SK-4084
Parker (Gresen)	DS-75 (selector valve)	HG-75	
Parker (Gresen)	S75/S100 (selector valve)	HGS-75	
Parker (Gresen)	V20 Alternative	C-3527-DM	
Parker (Gresen)	25P	C-3525-DM	SK-5340
Parker (Gresen)	V20	C-3526-DM	SK-4170
Parker (Gresen)	V40	C-3540-DM	SK-4171
Parker Commercial / Kontak	K-18	C-3560-DM	SK-4084
Prince	20	C-3526-DM	SK-4170
Prince	SV Series	C-3578-DM	
Prince	RD5XXX Monoblock	C-3551-DM	SK-3551
Prince	DS-4A1E	C-3552-DM	
Rexroth	MP-18	C-3522-DM	SK-4084
Rexroth	M4-12	C-3514-DM	SK-5334

Should you not find what you are looking for, contact us at (918) 622-5600

Visit [www.apscopower.com](http://www.apscopower.com) for additional part numbers, installation instructions and dimensional drawings

Metering Hydraulic Valve Actuators			
MANUFACTURER	SERIES	APSCO P/N METERING	SEAL REPAIR KIT
Brevini	HPV41	C-3841-DMEC	
Brevini	DCV50	C-3850-DM	
Brevini	DCVMG	C-3864-DM	
Brevini	DCV80	C-3880-DM	
Eaton	CM120	C-3818-DM	
Eaton	CM80	C-3817-DM	
Husco	5000 Series - 5/16" 24	C-3845-DM	
Husco	5000 Series - 3/8" 24	C-3845-DM-CC	
Husco	SCX Series	C-3872-DM	
HydroControls	D-12-LS	C-3833-DM	
HydroControls	DL-12	C-3834-DM	
HydroControls	D-16	C-3836-DM	
HydroControls	D-4-LS	C-3893-DM	
HydroControls	D-4	C-3894-DM	
HydroControls	DVS-20	C-3834-DM	
Muncie	20	C-3826-DM	
Muncie	60	C-3820-DM	SK-4833
Muncie	90	C-3835-DM	SK-4833
Parker (Comercial)	A20	C-3820-DM	SK-4833
Parker (Comercial)	A35	C-3835-DM	SK-4833
Parker (Commercial)	VP-120	C-3895-DM	
Parker (Gresen)	V20	C-3826-DM	
Parker (Gresen)	V40	C-3840-DM	
Prince	20	C-3826-DM	
Prince	SV Series	C-3878-DM	
Sauer Danfoss	PVG 32	C-3832-DM	SK-7530
Sauer Danfoss	PVG 32 Closed Spool	C-3832-DM-CS	SK-7531

Should you not find what you are looking for, contact us at (918) 622-5600

Visit [www.apscopower.com](http://www.apscopower.com) for additional part numbers, installation instructions and dimensional drawings



**AV-195 Series:**

The AV-195 addresses the needs of vehicles that have an electric PTO and/or PTO controls already installed in the vehicle cab. APSCO's AV-195 is available with the same console options as our AV-295.

**Standard Features Include:**

- Positive detent lock in neutral position
- Metered hoist control capability in lowering position
- Push to connect fittings for 1/4" DOT tubing

**Available Options:**

- Spring to neutral hoist control handle

**AV-295 Series:**

The original AV-295 Valve provides a compact design to operate the dump hoist and integral PTO air valve to operate the dump pump. As a stand-alone valve or with a console, operating a dump body has never been easier.

**Standard Features Include:**

- Positive detent lock in neutral position
- Metered hoist control capability in lowering position
- Push to connect fittings for 1/4" DOT tubing
- Automatically disengages PTO when hoist handle is moved into lowering position
- Safety lock on PTO valve to prevent accidental engagement
- PTO engaged LED indicator light

**Available Options:**

- Spring to neutral hoist control handle
- Manually disengage PTO valve

**AV Series Valves**

Part #	Integral PTO Valve	Auto PTO Kickout	Manual PTO Kickout (M)	Spring to Neutral (DMH)
AV-195	NO			
AV-195-DMH	NO			YES
AV-295	YES	YES		
AV-295-M	YES		YES	
AV-295-DMH	YES	YES		YES

Should you not find what you are looking for, contact us at (918) 622-5600

Visit [www.apscopower.com](http://www.apscopower.com) for additional part numbers, installation instructions and dimensional drawings



3239-8

3239-13

3239-W13

5-2

**AV Series Console Base:**

The AV Series console base has a powder-coated steel construction available in several heights to mount the AV Series valves. Optional wide (W) versions are available to accommodate tarp systems and/or tailgate latch controls.

AV Series Console Base				
APSCO Part Number	AV-195 AV-295	AV-195 AV-295 plus -TG, -MT or -HP	Wide Console (W)	Console Height
3239-6	YES			6"
3239-8	YES			8"
3239-13	YES			13"
3239-W6		YES	YES	6"
3239-W8		YES	YES	8"
3239-W13		YES	YES	13"
4653-8*	YES			8"

Should you not find what you are looking for, contact us at (918) 622-5600

Visit [www.apscopower.com](http://www.apscopower.com) for additional part numbers, installation instructions and dimensional drawings



AVC-195-8 (shown) or -13



AVC-195-TG-8 or -13 (shown)



AVC-195-TGMT-8 OR -13 (shown)

### AV-195 Series Consoles:

#### AV-195 Series:

The AV-195 addresses the needs of vehicles that have an electric PTO and/or PTO controls already installed in the vehicle cab. APSCO's AV-195 is available with the same console options as our AV-295.

#### Standard Features Include:

- Positive detent lock in neutral position
- Metered hoist control capability in lowering position
- Push to connect fittings for 1/4" DOT tubing

#### Available Options:

- Spring to neutral hoist control handle
- Tailgate latch cylinder control
- Tarp switch opening

# AVC-295 CONSOLE ASSEMBLY



AVC-295-8 (shown) or -13



AVC-295-TG-8 or -13 (shown)



AVC-295-TGMT-8 OR -13 (shown)

### AVC-295 Series Consoles:

#### AV-295 Series:

The original AV-295 Valve provides a compact design to operate the dump hoist and integral PTO air valve to operate the dump pump. As a stand-alone valve or with a console, operating a dump body has never been easier.

#### Standard Features Include:

- Positive detent lock in neutral position
- Metered hoist control capability in lowering position
- Push to connect fittings for 1/4" DOT tubing
- Automatically disengages PTO when hoist handle is moved into lowering position
- Safety lock on PTO valve to prevent accidental engagement
- PTO engaged LED indicator light

#### Available Options:

- Spring to neutral hoist control handle
- Manually disengage PTO valve
- Tailgate latch cylinder control
- Tarp switch opening

Should you not find what you are looking for, contact us at (918) 622-5600

Visit [www.apscopower.com](http://www.apscopower.com) for additional part numbers, installation instructions and dimensional drawings





# AVC SERIES PART NUMBERS

## AVC-195 Console Assembly - NO PTO VALVE

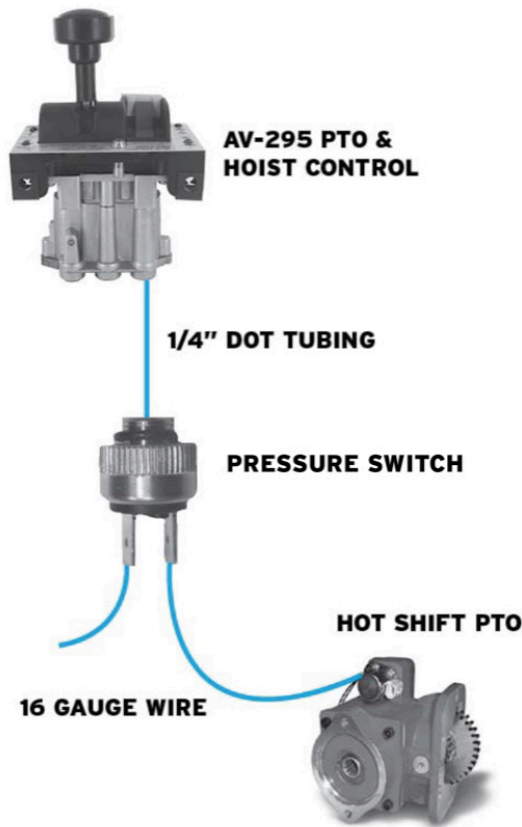
APSCO Part Number	Spring to Neutral (DMH)	Console Height	1/4" Tube (T)	Tailgate Latch (TG)	Tarp Switch Opening (MT)	High Pressure Valve (HP)
AVC-195-8		8"				
AVC-195-13		13"				
AVC-195-T-8		8"	Included			
AVC-195-T-13		13"	Included			
AVC-195-TG-8		8"		YES		
AVC-195-TG-13		13"		YES		
AVC-195-TGMT-13		13"		YES	YES	
AVC-195-HP-8		8"				YES
AVC-195-HP-13		13"				YES
AVC-195-DMH-8	YES	8"				
AVC-195-DMH-13	YES	13"				
AVC-195-DMHTG-8	YES	8"		YES		
AVC-195-DMHTG-13	YES	13"		YES		

## AVC-295 Console Assembly - WITH PTO VALVE

APSCO Part Number	Manual PTO Kickout (M)	Spring to Neutral (DMH)	Console Height	1/4" Tube (T)	Tailgate Latch (TG)	Tarp Switch Opening (MT)	High Pressure Valve (HP)
AVC-295-8			8"				
AVC-295-13			13"				
AVC-295-T-8			8"	Included			
AVC-295-T-13			13"	Included			
AVC-295-T-TG-8			8"	Included	YES		
AVC-295-T-TG-13			13"	Included	YES		
AVC-295-TG-8			8"		YES		
AVC-295-TG-13			13"		YES		
AVC-295-TGMT-13			13"		YES	YES	
AVC-295-HP-8			8"				YES
AVC-295-HP-13			13"				YES
AVC-295-M-8	YES		8"				
AVC-295-M-13	YES		13"				
AVC-295-M-T-8	YES		8"	Included			
AVC-295-M-T-13	YES		13"		YES		
AVC-295-M-TG-8	YES		8"		YES		
AVC-295-M-TG-13	YES		13"		YES	YES	
AVC-295-MTGMT13	YES		13"				
AVC-295-M-HP-13	YES		13"				YES
AVC-295-DMH-8		YES	8"				
AVC-295-DMH-13		YES	13"				
AVC-295-DMH-M-8	YES	YES	8"				
AVC-295-DMH-M13	YES	YES	13"				
AVC-295-DMH-T-8		YES	8"	Included			
AVC-295-DMH-TG8		YES	8"		YES		
AVC-295-DMHTG13		YES	13"		YES		

Should you not find what you are looking for, contact us at (918) 622-5600

Visit [www.apscopower.com](http://www.apscopower.com) for additional part numbers, installation instructions and dimensional drawings



**Features and Benefits:**

Paired with APSCO's AV-295 valve the EC-PTO converts the pneumatic PTO output to an electric signal.

The EC-PTO kit allows for fully integrated hoist/PTO control for hot shift PTO's.

Hot shift PTO's can now be automatically "kicked out" when hoists are lowered using the APSCO EC-PTO kit.

EC-PTO Kit Parts List				
Part #	Description	Where Used	Rating	
EC-PTO	KIT	master kit		
5799	PRESSURE SWITCH (1/8 NPT)	EC-PTO	Normally Open, MAWP = 145 PSI, 8.33 amps @ 12V DC	
WH-EC-PTO	WIRING HARNESS (15 FT)	EC-PTO		
1707	1/4 DOT TUBE X 1/4" LONG	EC-PTO		
4424	FITTING, 1/4 TUBE X 1/8 FNPT	EC-PTO		

Should you not find what you are looking for, contact us at (918) 622-5600

Visit [www.apscopower.com](http://www.apscopower.com) for additional part numbers, installation instructions and dimensional drawings

### STEP 1: SELECT DETENT OPTION

PART#			
VM-7	M	N	M
VM-8*	M	PD	M
VM-12*	M	PD	PD
VM-9*	PD	PD	PD
VM-11	M	N	CD
VM-13	CD	N	CD

**M= MOMENTARY**

**N=NEUTRAL**

**P**\* Note: VM-8, VM-9 and VM-12 are only available with straight handle.

\* Handle offset or spacer recommended in multibank configurations

Handle offset or spacer recommended in multibank configurations



Click Links to download drawings

[VM-7](#)

[VM-8](#)

### STEP 2: SELECT HANDLE OFFSET

OPTION	SUFFIX
0 DEGREES	N/A
20 DEGREES	-20
35 DEGREES	-35
45 DEGREES	-45
55 DEGREES	-55



### STEP 3: SELECT ELECTRICAL OPTION

OPTION	SUFFIX
NONE	N/A
LIGHT KIT	-LK
ON/OFF SWITCH	-EO
MOMENTARY SWITCH	-EM



VM-7-EM



VM-7-LK

1 -----> 2 -----> 3

VM-11   -35   -LK

Metering valve with one position friction detent, 35 degree offset handle and light kit

meter detent, 55 degree offset handle and light kit

APSCO now offers its VM Series valves fitted with electrical switches and back lights. Before, only the valve handle was available with these options. Now, switches and light kits are available in these inclusive assemblies.

#### Features and Benefits

APSCO's patented "Continuous Connection Technology" utilizes a rotary connection to eliminate the use of wire to bridge the rocker assembly. This allows power to be routed to the handle, uninterrupted, eliminating wire fatigue, chaffing, and pinching associated with traditional designs.



[See how it works.](#)

### VM SINGLE AXIS REPLACEMENT PARTS

PART #	Description
4531	VM-LENS
BVM7-C	VM DETENT CLIP KIT WITH HARDWARE
4464	VM-7 MULTI-BANK SPACER
VMH-S	VM-7 HANDLE ASSEMBLY - STRAIGHT (INCLUDES HANDLE, KNOB, LENS & NUT)
VMH-20	VM-7 HANDLE ASSEMBLY - 20 DEGREE (INCLUDES HANDLE, KNOB, LENS & NUT)
VMH-35	VM-7 HANDLE ASSEMBLY - 35 DEGREE (INCLUDES HANDLE, KNOB, LENS & NUT)
VMH-45	VM-7 HANDLE ASSEMBLY - 45 DEGREE (INCLUDES HANDLE, KNOB, LENS & NUT)
VMH-55	VM-7 HANDLE ASSEMBLY - 55 DEGREE (INCLUDES HANDLE, KNOB, LENS & NUT)
VMH-S-EM	VM-7 HANDLE ASSEMBLY - STRAIGHT (INCLUDES HANDLE WITH MOMENTARY SWITCH, KNOB & NUT)
VMH-S-EO	VM-7 HANDLE ASSEMBLY - STRAIGHT (INCLUDES HANDLE WITH ON/OFFSWITCH, KNOB & NUT)
VMH-8	VM-8, -9 & -12 HANDLE ASSEMBLY - (INCLUDES KNOB NUT & DETENT RELEASE)
SK-VM-7-A	VM-7 SEAL KIT (INCLUDES REPLACEMENT O-RINGS)
SK-VM-7-B	VM-7 REBUILD KIT (INCLUDES REPLACEMENT O-RINGS + SPRINGS)

Should you not find what you are looking for, contact us at (918) 622-5600

Visit [www.apscopower.com](http://www.apscopower.com) for additional part numbers, installation instructions and dimensional drawings

## How to identify valves in a bank



VM7-2B2020

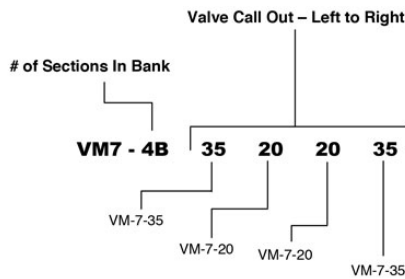


VM7-5B4535S3545

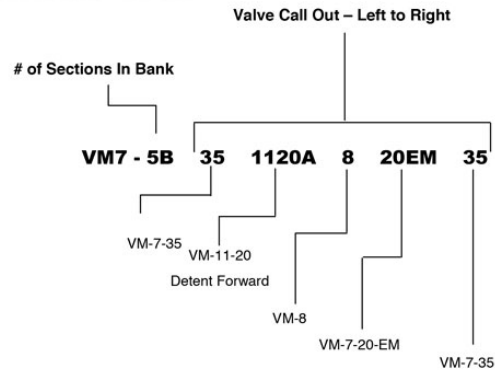


VM7-3B35835

### EXAMPLE 1:



### EXAMPLE 2:



### Key:

Default = VM-7  
 8 = VM-8  
 9 = VM-9  
 11 = VM-11  
 12 = VM-12  
 13 = VM-13  
 SP = Spacer

S = Straight Handle  
 20 = 20 Degree Handle  
 35 = 35 Degree Handle  
 45 = 45 Degree Handle  
 55 = 55 Degree Handle

LK = Light Kit  
 EO = On/Off Switch  
 EM = Momentary Switch

A = Detent Forward  
 B = Detent Back

A minimum quantity is required for your order to request a unique valve assembly. Please contact us at [sales@apscopower.com](mailto:sales@apscopower.com) or at (918) 622-5600 for more information.

## VM-DUAL AXIS VALVES

### STEP 1: SELECT DETENT OPTION

PART#	DESCRIPTION
VM-10-W	Quad Control Valve Williams Plate
VM-10-C	Quad Control Valve 4.25" Dia. mount
VM-10-R	Quad Control Valve 4.93" Dia. mount

### STEP 2: SELECT ELECTRICAL OPTION

OPTION	SUFFIX
NONE	N/A
LIGHT KIT	-NR-LK
ON/OFF SWITCH	-NR-EO
MOMENTARY SWITCH	-NR-EM
3 POSITION MOMENTARY SWITCH	-NR-3M

### STEP 3: SELECT DETENT OPTION

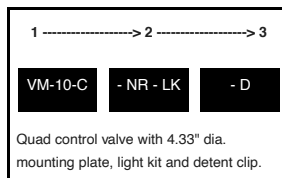
OPTION	SUFFIX
NONE	N/A
DETENT CLIP	-D



VM-10-C



VM-10-NR-D



New Feature

Should you not find what you are looking for, contact us at (918) 622-5600

Visit [www.apscopower.com](http://www.apscopower.com) for additional part numbers, installation instructions and dimensional drawings



CONB-1-S



CONB-2



CONB-3-R

APSCO manufactures a range of consoles to house its VM Series, single axis, and dual axis controls. The VM consoles are made of 14 gauge steel with a textured black powder-coating.

Cut outs for a rocker switch and indicator light are available in the 2 and 3 bank consoles. Plugs and blanks are available to cover openings not used.



[VM Series Valves.](#)

### VM CONSOLE ASSEMBLY PART NUMBERS

PART#	CONSOLE ACCOMMODATES	HEIGHT	WIDTH	LENGTH
CONB-1-S	VM-7	13.00"	4.56"	5.25"
CONB-1-S8	VM-7	8.00"	4.56"	5.25"
CONB-1-S6	VM-7	6.00"	4.56"	5.25"
CONB-1-R	VM-7 and VR-9-S (rocker)	13.00"	5.25"	5.25"
CONB-2	(2) VM-7	13.00"	5.25"	5.25"
CONB-2-R	(2) VM-7 and VR-9-S (rocker)	14.00"	7.25"	6.75"
CONB-3-R	(3) VM-7 and VR-9-S (rocker)	14.00"	7.25"	6.75"
CONB-4	(4) VM-7	14.00"	8.00"	7.00"
CONB-Q	VM-10-C	13.00"	5.25"	5.25"
5804	Adapter Plate - converts 3-bank VM-7 opening to a VM-10 opening			
VM-10-3L	VM-10 with adapter plater (up/down/left/right) Converts 3 bank VM-7 opening to a VM-10 opening			
4648	VM-7 panel opening cut-out plug [(2) Hardware 4299 + 4313 required to mount]			

Should you not find what you are looking for, contact us at (918) 622-5600

Visit [www.apscopower.com](http://www.apscopower.com) for additional part numbers, installation instructions and dimensional drawings



PED 4-11



PED 6-11



PED 4-11-2P



PED 10-3-2P



S-Tube

### POSI-LOCK Pedestals

The Posi-Lock Pedestal® (Patent # 7,568,666) is designed to house APSCO's VM Series valves. The Posi-Lock Pedestal®, once mounted to the floor, can be unlocked and rotated into any position. A simple ¼" turn releases the pedestal head or "S" tube, and another simple ¼" turn provides a positive lock. It is so simple that controls can be swung in for operation and swung out of the way when it's time to drive on.

### Features and Benefits

- Available in 2 standard heights (29½" and 33½")
- Configurations available to hold up to 8 VM Series valves
- Removable rear cover for easy access
- Simple installation saves time and labor costs
- Round tubing and smooth curves allow ¼" tubing to be installed snag-free with ease
- Will house up to 18 (ea) ¼" tubes
- Functional, ergonomic design provides user-friendly operation

### VM PEDESTAL ASSEMBLY PART NUMBERS

PEDESTAL #	VALVE OPTIONS	S-TUBE included	BASE	LENGTH	WIDTH	HEIGHT
PED-4-11*	(4) Bank; VM-7 Series	YES	11.00"	7.60"	7.00"	30.5"
PED-4-11-2P**	(4) Bank; VM-7 Series		11.00"	7.60"	7.00"	19.70"
PED-4-15*	(4) Bank; VM-7 Series	YES	15.00"	7.60"	7.00"	34.50"
PED-4-15-2P**	(4) Bank; VM-7 Series		15.00"	7.60"	7.00"	23.70"
PED-6-11*	(6) Bank; VM-7 Series	YES	11.00"	10.50"	7.00"	30.50"
PED-6-11-2P**	(6) Bank; VM-7 Series		11.00"	10.50"	7.00"	19.70"
PED-6-15*	(6) Bank; VM-7 Series	YES	15.00"	10.50"	7.00"	34.50"
PED-6-15-2P**	(6) Bank; VM-7 Series		15.00"	10.50"	7.00"	23.70"
PED-8-11*	(8) Bank; VM-7 Series	YES	11.00"	13.30"	7.00"	30.50"
PED-8-11-2P**	(8) Bank; VM-7 Series		11.00"	13.30"	7.00"	19.70"
PED-8-15*	(8) Bank; VM-7 Series	YES	15.00"	13.30"	7.00"	34.50"
PED-8-15-2P**	(8) Bank; VM-7 Series		15.00"	13.30"	7.00"	23.70"
PED-10-3-11*	VM-10-C & (3) VM-7 Series	YES	11.00"	13.30"	7.00"	30.50"
PED-10-3-11-2P**	VM-10-C & (3) VM-7 Series		11.00"	13.30"	7.00"	19.70"
PED-10-3-15*	VM-10-C & (3) VM-7 Series	YES	15.00"	13.30"	7.00"	34.50"
PED-10-3-15-2P**	VM-10-C & (3) VM-7 Series		15.00"	13.30"	7.00"	23.70"
VM-10-3L	VM-10 with adapter Plate (up/down/left/right) - converts 3-bank VM-7 opening to a VM-10 opening					
4648	VM-7 panel opening cut-out plug [(2) Hardware 4299 + 4313 required to mount]					

### Key:

- \* = Pedestal Assembly includes the Base + S-Tube + Head Assembly
- \*\* = Pedestal Assembly includes the Base + Head Assembly

Should you not find what you are looking for, contact us at (918) 622-5600

Visit [www.apscopower.com](http://www.apscopower.com) for additional part numbers, installation instructions and dimensional drawings



### VM MULTIBANK VALVE - HARDWARE KIT

Part #	Description
BVM7-2	BRACKET KIT 2-BANK VM SERIES
BVM7-3	BRACKET KIT 3-BANK VM SERIES
BVM7-4	BRACKET KIT 4-BANK VM SERIES
BVM7-5	BRACKET KIT 5-BANK VM SERIES
BVM7-6	BRACKET KIT 6-BANK VM SERIES
BVM7-7	BRACKET KIT 7-BANK VM SERIES
BVM7-8	BRACKET KIT 8-BANK VM SERIES

### VM MULTIBANK VALVE - TUBING KIT (CONSOLES)

Part #	Description	Tubes (15 ft)	Elbow Fittings (p/n 3760)	Straight Fittings (p/n 4361)
TF-79	TUBING KIT 1-BANK VM SERIES	4	2	2
TF-80	TUBING KIT 2-BANK VM SERIES	6	2	4
TF-81	TUBING KIT 3-BANK VM SERIES	8	2	6
TF-82	TUBING KIT 4-BANK VM SERIES	10	2	8

### VM MULTIBANK VALVE - TUBING KIT (PEDESTALS)

Part #	Description	Tubes (15 ft)	Elbow Fittings (p/n 3760)
TF-71	TUBING KIT 1-BANK VM SERIES	4	4
TF-70	TUBING KIT 2-BANK VM SERIES	6	6
TF-64	TUBING KIT 3-BANK VM SERIES	8	8
TF-65	TUBING KIT 4-BANK VM SERIES	10	10
TF-66	TUBING KIT 5-BANK VM SERIES	12	12
TF-67	TUBING KIT 6-BANK VM SERIES	14	14
TF-68	TUBING KIT 7-BANK VM SERIES	16	16
TF-69	TUBING KIT 8-BANK VM SERIES	18	18

### VM SYSTEM PROTECTION KIT

Part #	Description	Where used
RK-1	FILTER, REGULATOR & LUBRICATOR KIT WITH TUBE/FITTINGS AND PRESSURE PROTECTION VALVE	master kit
RK-1600	REGULATOR KIT WITH ALUMINUM PANEL MOUNTING NUT	master kit
1600	REGULATOR LESS MOUNTING NUT (1/8 NPT)	RK-1600
4428	ALUMINUM NUT FOR PANEL MOUNTING REGULATOR (P/N 1600)	RK-1600
4446	FILTER, REGULATOR & LUBRICATOR (FRL - 1/8 NPT)	RK-1
1599	MOUNTING BRACKET FOR FRL (P/N 4446) OR REGULATOR (P/N 1600)	RK-1
PP-470	PRESSURE PROTECTION VALVE (65 PSI SHUT-OFF)	RK-1

Should you not find what you are looking for, contact us at (918) 622-5600

Visit [www.apscopower.com](http://www.apscopower.com) for additional part numbers, installation instructions and dimensional drawings



V-5



V-55



V-555



VC-3



VX-3

## PUSH-PULL 3-WAY VALVES

PART #	DESCRIPTION	MOUNTING	ACTION	PORT	WIDTH	BODY LENGTH	DEPTH	SUPPLY	CYL. TYPE
V-5	2-POSITION, SINGLE SPOOL, 3-WAY	2 thru holes horizontal 2 threaded 10-32 UNF vertical	Push/Pull	1/8"	2.00"	2.00"	1.00"	130	S.A.
V-55	2-POSITION, DUAL SPOOL, 3-WAY	2 thru holes horizontal	Push/Pull	1/8"	2.00"	2.00"	1.00"	130	S.A.
V-555	2-POSITION, TRIPLE SPOOL, 3 WAY	2 thru holes horizontal	Push/Pull	1/8"	2.00"	2.00"	1.50"	130	S.A.
V-85	2-POSITION, DUAL SPOOL, (1) 4-WAY, (1) 3 WAY	2 thru holes horizontal	Push/Pull	1/8"	2.00"	2.00"	1.00"	130	S.A. & D.A.
VC-3	2-POSITION, 3 WAY WITH SPRING TO NEUTRAL AND LOCK	2 thru holes horizontal 2 threaded 10-32 UNF vertical	Push/Pull	1/8"	1.50"	4.00"	1.50"	130	S.A.
VX-3	2-POSITION, 3-WAY VALVE, W/ 1/4" EXHAUST PORTS	2 thru holes horizontal	Push/Pull	1/4"	1.50"	2.92"	1.00"	130	S.A.

KEY: S.A. = Single Acting cylinders      D.A. = Double Acting cylinders

Should you not find what you are looking for, contact us at (918) 622-5600

Visit [www.apscopower.com](http://www.apscopower.com) for additional part numbers, installation instructions and dimensional drawings



V-38



V-8



V-88



V-8-S-TG



VX-4



VX-4N



VX-4-AP



VX-4-APS

## PUSH-PULL 4-WAY VALVES

PART # DESCRIPTION	MOUNTING	ACTION	PORT	WIDTH	BODY LENGTH	DEPTH	SUPPLY	CYL. TYPE
<b>V-38</b> 2-POSITION, TRIPLE SPOOL, 4-WAY	2 thru holes horizontal	Push/Pull	1/8"	1.50"	3.50"	2.00"	130	D.A.
<b>V-8</b> 2-POSITION, SINGLE SPOOL, 4-WAY	2 threaded 10-32 UNF vertical and 2 thru holes horizontal	Push/Pull	1/8"	2.00"	2.00"	1.00"	130	D.A.
<b>V-85</b> 2-POSITION, DUAL SPOOL, (1) 3-WAY & (1) 4-WAY	2 thru holes horizontal	Push/Pull	1/8"	2.00"	2.00"	1.00"	130	S.A. & D.A.
<b>V-88</b> 2-POSITION, DUAL SPOOL, 4-WAY	2 threaded 10-32 UNF vertical and 2 thru holes horizontal	Push/Pull	1/8"	3.50"	2.00"	1.00"	130	D.A.
<b>V-8-S-TG</b> 2-POSITION, 4-WAY, PORTS OUT BOTTOM WITH FITTINGS. USE IN CONSOLES WITH LID.	3 threaded 10-32 UNF vertical	Push/Pull	1/8"	2.50"	2.00"	1.50"	130	D.A.
<b>V-8-S-TGL</b> 2-POSITION, 4-WAY, PORTS OUT BOTTOM WITH FITTINGS & LOCKING BUTTON	3 threaded 10-32 UNF vertical	Push/Pull (with lock)	1/8"	2.50"	2.00"	1.50"	130	D.A.
<b>V-8-S-LK</b> 2-POSITION, 4-WAY, PORTS OUT BOTTOM WITH FITTINGS, LOCKING BUTTON & AIR-PILOT KICK-OUT	3 threaded 10-32 UNF vertical	Push/Pull (with lock)	1/8"	2.50"	3.25"	1.75"	130	D.A.
<b>V-8-TG</b> 2-POSITION, 4-WAY, COVER PLATE, PORTS OUT BOTTOM WITH FITTINGS. USE IN AVC-W CONSOLES	3 threaded 10-32 UNF vertical	Push/Pull	1/8"	2.50"	2.00"	1.50"	130	D.A.
<b>VL-5-ES</b> 2-POSITION, 4-WAY, PUSH/PULL	Bulkhead mount and horizontal mounting holes	Push/Pull 12V DC kick-out	1/4"	1.50"	3.80"	1.90"	130	D.A.
<b>VX-4</b> 2-POSITION 4-WAY WITH 1/4" EXHAUST PORTS	Bulkhead mount and horizontal mounting holes	Push/Pull	1/4"	1.50"	3.80"	1.00"	130	D.A.
<b>VX-4-N</b> 3-POSITION WITH NEUTRAL CENTER POSITION, SINGLE SPOOL 4-WAY 1/4" EXHAUST PORTS	Bulkhead mount and horizontal mounting holes	Push/Pull	1/4"	1.00"	4.58"	1.50"	150	D.A.
<b>VX-4-AP</b> 4-WAY AIR PILOT W/SPRING RETURN	Air Pilot	Not Applicable	1/4" Working 1/8" pilot	1.50"	4.55"	1.00"	130	D.A.
<b>VX-4-APS</b> 4-WAY AIR PILOT/SHUTTLE W/SPRING RETURN	Air Pilot/Shuttle	Not Applicable	1/4"	1.50"	4.00"	.75"	130	D.A.

**KEY:** S.A. = Single Acting cylinders D.A. = Double Acting cylinders

Should you not find what you are looking for, contact us at (918) 622-5600

Visit [www.apscopower.com](http://www.apscopower.com) for additional part numbers, installation instructions and dimensional drawings

## ***APSCO's high quality air toggle valves for a variety of applications***



**VTS-9X**  
3 Position  
Detent/Neutral/Detent



**VTS-1X**  
3 Position  
Momentary/Neutral/Momentary



**VTS-11X**  
3 Position  
Momentary/Neutral/Detent



**VTS-2**  
2 Position  
On/Off

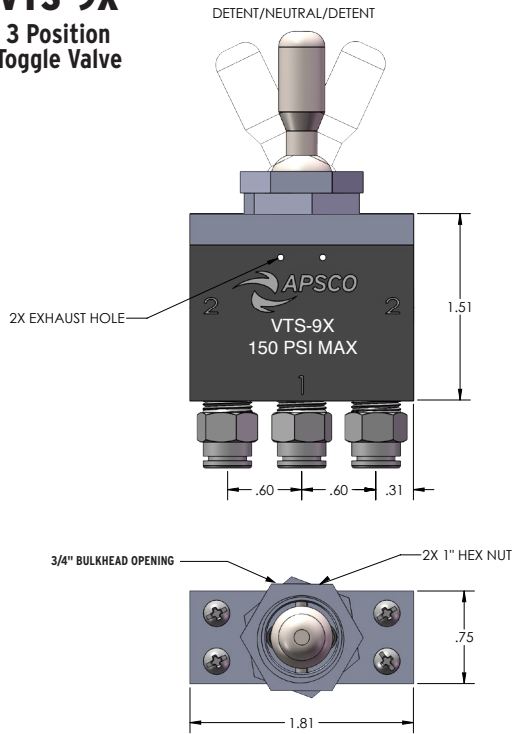
### **FEATURES:**

- Heavy duty, robust stainless toggle

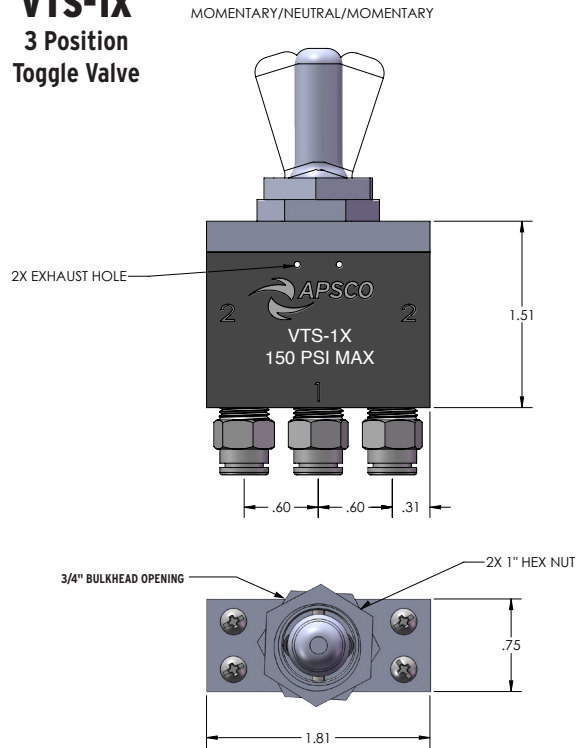
### **3 POSITION VALVES:**

- Includes push connect fittings for easy installation
- Space efficient porting
- Side porting options

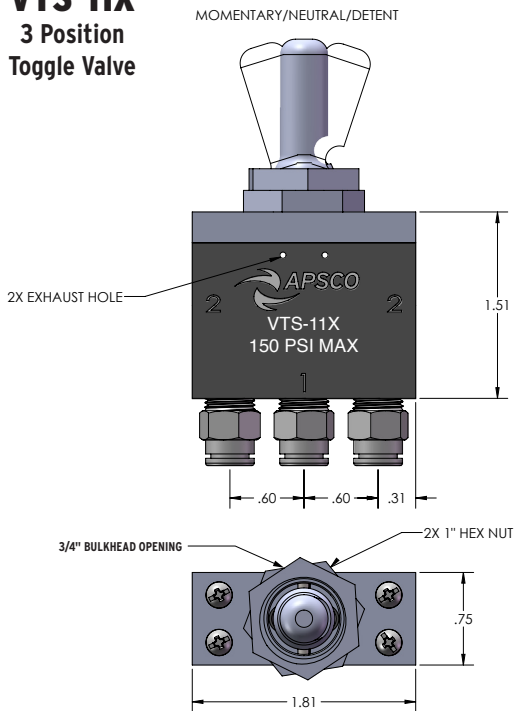
## VTS-9X 3 Position Toggle Valve



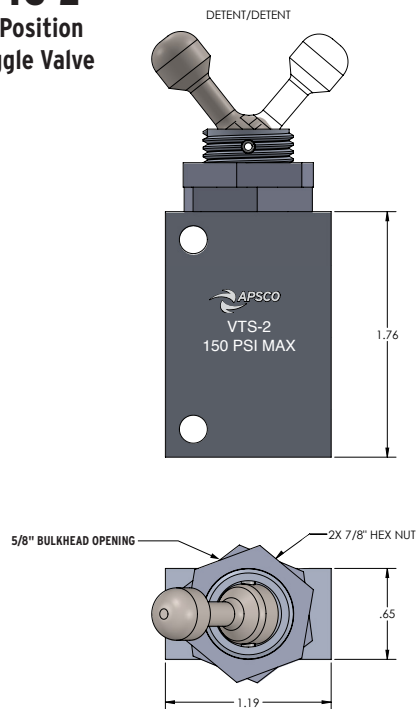
## VTS-1X 3 Position Toggle Valve



## VTS-11X 3 Position Toggle Valve



## VTS-2 2 Position Toggle Valve



Should you not find what you are looking for, contact us at (918) 622-5600

Visit [www.apscopower.com](http://www.apscopower.com) for additional part numbers, installation instructions and dimensional drawings



VTS-2



VTS-1X



VTS-9X



VTS-11X

## AIR TOGGLE VALVES

PART #	DESCR.	MOUNTING	POSITIONS	ACTION	PORTS	WIDTH	BODY LENG.	TOTAL LENG.	DEPTH	SUPPLY	CYL. TYPE
VTS-2	2-POSITION, 4-WAY	5/8" Bulkhead	ON/OFF	Toggle	1/8" NPT ports	1.25"	1.75"	1.25"	.63"	125	D.A.
VTS-2X	2-POSITION, 4-WAY	5/8" Bulkhead	ON/OFF	Toggle	1/8" NPT ports	1.50"	1.75"	3.00"	1.50"	0.125	D.A.
VTS-21	3-POSITION, 4-WAY	5/8" Bulkhead	FD/N/M	Toggle	1/8" NPT ports	.88"	1.06"	2.44"	.63"	125	S.C.
VTS-29	3-POSITION, 4-WAY	5/8" Bulkhead	FD/N/FD	Toggle	1/8" NPT ports	.88"	1.06"	2.44"	.63"	125	S.C.
VTS-1X	3-POSITION, 4-WAY	3/4" Bulkhead	M/N/M	Toggle	1/8" NPT ports	1.81"	1.51"	3.00"	.75"	125	S.C.
VTS-9X	3-POSITION, 4-WAY	3/4" Bulkhead	FD/N/FD	Toggle	1/8" NPT ports	1.81"	1.51"	3.00"	.75"	125	S.C.
VTS-11X	3-POSITION, 4-WAY	3/4" Bulkhead	FD/N/M	Toggle	1/8" NPT ports	1.81"	1.51"	3.00"	.75"	125	S.C.
4141	3-POSITION, 4-WAY	15/32" Bulkhead	M/N/M	Toggle	1/8" NPT ports	.88"	1.06"	2.44"	.63"	125	S.C.
4770	2-POSITION, 4-WAY	15/32" Bulkhead	ON/OFF	Toggle	1/8" NPT ports	1.25"	1.67"	2.73"	.63"	125	D.A.
4883	GUARD - 5/8"	5/8" Opening									
6075	GUARD - 3/4"	3/4" Opening									

KEY: FD = Friction Detent M = Momentary N = Neutral S.C. = Spring to Center D.A. = Double Acting

Should you not find what you are looking for, contact us at (918) 622-5600

Visit [www.apscopower.com](http://www.apscopower.com) for additional part numbers, installation instructions and dimensional drawings





VE-31



VE-2



VL-5-ES

### ELECTRIC SOLENOID VALVES

PART #	DESCRIPTION	ACTION	PORT	WIDTH	BODY LENGTH	DEPTH	SUPPLY	CYL. TYPE
VE-31	2-POSITION, 3-WAY, HIGH FLOW	Solenoid valve 12V DC	1/4"	1.90"	1.19"	6.00"	130	S.A.
VE-2	2-POSITON, 4-WAY	Solenoid valve 12V DC	1/4"	1.50"	1.00"	4.75"	130	D.A.
VE-2-3W	2 POSITION, 3-WAY	Solenoid valve 12V DC	1/4"	1.50"	1.00"	4.75"	130	D.A.
VL-5-ES	4-WAY VALVE, PUSH/PULL WITH ELECTRIC KICK-OUT	Solenoid valve 12V DC	1/4"	1.50"	3.80"	1.90"	130	D.A.

KEY: S.A. = Single Acting Cylinders D.A. = Double Acting Cylinders

# AIR VALVES - AIR ROCKER VALVES



VR-10-A



VR-9-S

### AIR ROCKERS VALVES

PART #	APPLICATION	DESCRIPTION	POSITIONS	ACTION	PORT	CLY TYPE
VR-10-A	Blank	AIR ROCKER	On/Off	Rocker	1/4"	S.A.
VR-9-S	PTO	AIR ROCKER	Engage/Disengage w/Lock	Rocker	1/4"	S.A.
4559	Back light VR-9-S	WIRE HARNESS				

KEY: S.A. = Single Acting Cylinders D.A. = Double Acting Cylinders

Should you not find what you are looking for, contact us at (918) 622-5600

Visit [www.apscopower.com](http://www.apscopower.com) for additional part numbers, installation instructions and dimensional drawings



VM-2-X



VX-4-AP



VX-4-APS



V-5-B



V-5-LV



VS-2R



PP-470

## SPECIALTY VALVES

PART #	DESCRIPTION	ACTION	PORT	BODY WIDTH	BODY LENGTH	DEPTH	SUPPLY	CYL. TYPE
VM-2-X	METERING VALVE W/ ROTATING HANDLE	Lever	1/8"	2.50"	7.25"	1.75"	130	S.A.
VX-4-AP	4-WAY AIR PILOT W/ SPRING RETURN	Air Pilot	1/4" Working 1/8" pilot	1.50"	4.55"	1.00"	130	D.A.
VX-4-APS	4-WAY AIR PILOT/SHUTTLE W/ SPRING RETURN	Air Pilot /Shuttle	1/4" Working 1/8" pilot	1.50"	4.00"	.75"	130	D.A.
V-5-B	3-WAY LIMIT VALVE FOR HYDRAULIC TELESCOPIC CYLINDERS, PULL	Limit valve, PULL	1/8"	2.00"	2.00"	1.00"	130	Hydraulic
V-5-LV	3-WAY LIMIT VALVE FOR HYDRAULIC TELESCOPIC CYLINDERS, PUSH	Limit valve, PUSH	1/8"	2.00"	2.00"	1.00"	130	Hydraulic
V-8-B	4-WAY LIMIT VALVE FOR HYDRAULIC TELESCOPIC CYLINDERS	Limit valve	1/8"	2.00"	2.00"	1.00"	130	Hydraulic
VS-1-R	3-WAY SINGLE DELIVERY W/ FITTINGS	Shuttle valve	1/8"	1.50"	2.00"	1.00"	130	S.A.
VS-2-R	4-WAY DOUBLE DELIVERY W/ FITTINGS	Shuttle valve	1/8"	2.75"	2.00"	1.00"	130	D.A.
PP-470	PRESSURE PROTECTION VALVE		1/4"				open @ 70psi close @ 65 psi	

**KEY:** S.A. = Single Acting cylinders      D.A. = Double Acting cylinders

Should you not find what you are looking for, contact us at (918) 622-5600

Visit [www.apscopower.com](http://www.apscopower.com) for additional part numbers, installation instructions and dimensional drawings

## FOR END DUMP TRAILERS & DUMP TRUCK BODIES



**LLSV-1-E**  
Solenoid with  
manual override



**LLSV-1-AP**  
Air Pilot with  
manual override



**LLSV-2-E**  
Solenoid without  
manual override



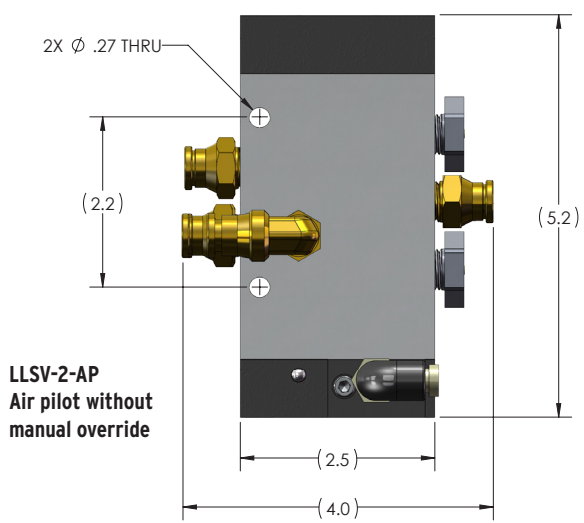
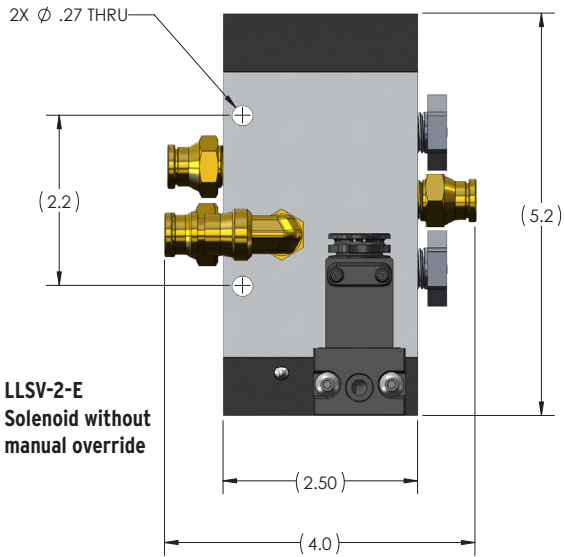
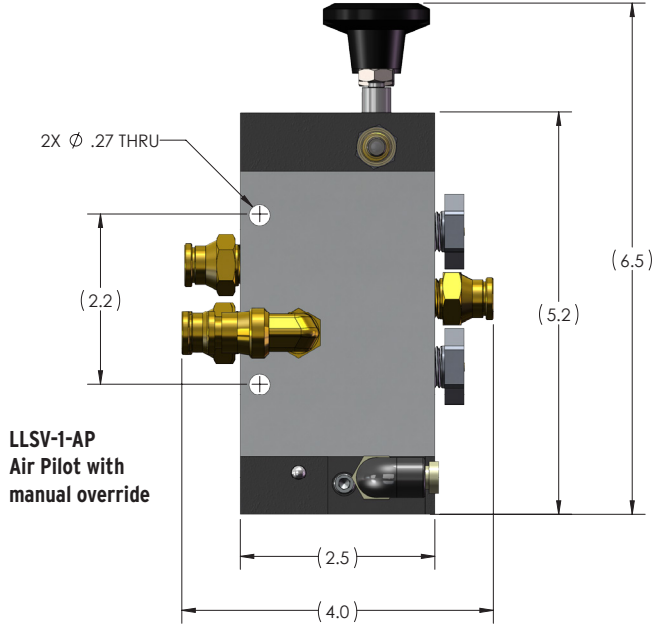
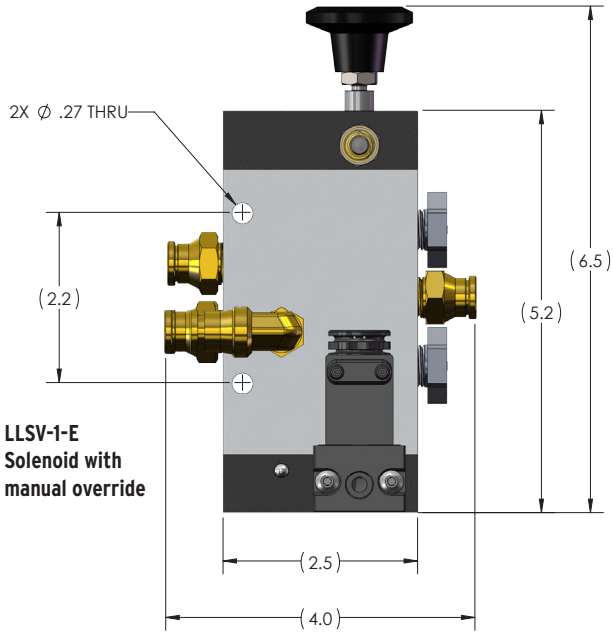
**LLSV-2-AP**  
Air pilot without  
manual override

- Compact design, operates and sequences both tailgate latch and high lift cylinders
- Electric or air control options
- Simplified operation - Operate both lift and latch functions from a single operator input
- Consolidated design allows easy installation, less fittings, less plumbing, and less labor
- Designed and manufactured for the mobile equipment market



Should you not find what you are looking for, contact us at (918) 622-5600

Visit [www.apscopower.com](http://www.apscopower.com) for additional part numbers, installation instructions and dimensional drawings



Should you not find what you are looking for, contact us at (918) 622-5600

Visit [www.apscopower.com](http://www.apscopower.com) for additional part numbers, installation instructions and dimensional drawings

ELECTRIC SOLENOID VALVES								
PART #	DESCRIPTION	ACTION	PORT	BODY WIDTH	BODY LENGTH	DEPTH	SUPPLY	CYL. TYPE
LLSV-1-E	LIFT-LATCH SEQUENCE VALVE	Solenoid w/ manual override	1/4"	2.5"	6.5"	2.5"	130	Hi-lift/Latch
LLSV-1-E-A	LIFT-LATCH SEQUENCE VALVE	Solenoid w/ manual override	1/4" Elbow Fittings	2.5"	6.5"	2.5"	130	Hi-lift/Latch
LLSV-1-AP	LIFT-LATCH SEQUENCE VALVE	Air pilot w/ manual override	1/4"	2.5"	6.5"	2.5"	130	Hi-lift/Latch
LLSV-1-AP-A	LIFT-LATCH SEQUENCE VALVE	Air pilot w/ manual override	1/4" Elbow Fittings	2.5"	6.5"	2.5"	130	Hi-lift/Latch
LLSV-2-E	LIFT-LATCH SEQUENCE VALVE	Solenoid	1/4"	2.5"	5.2"	2.5"	130	Hi-lift/Latch
LLSV-2-AP	LIFT-LATCH SEQUENCE VALVE	Air pilot	1/4"	2.5"	5.2"	2.5"	130	Hi-lift/Latch

Should you not find what you are looking for, contact us at (918) 622-5600

Visit [www.apscopower.com](http://www.apscopower.com) for additional part numbers, installation instructions and dimensional drawings



VR ROCKER SWITCHES						
PART #	APPLICATION	LABEL	POSITIONS	ACTION	RATING	OPENING
VR-2-ET	Tailgate	Unlock/Tailgate/Lock	On/Off	Electric Rocker		.870" X 1.735"
VR-3-EH	High Lift	Raise	On/Off	Electric Rocker		.870" X 1.735"
VR-4-EV	Vibrator	Vibrator	Momentary	Electric Rocker		.870" X 1.735"
VR-5-EP	Electric PTO	Engage/Disengage	On/Off	Electric Rocker		.870" X 1.735"
VR-6-EST	Strobe	Strobe	On/Off	Electric Rocker		.870" X 1.735"
VR-7-EWL	Work Light	Work Light	On/Off	Electric Rocker		.870" X 1.735"
VR-8-EHL	Winch	Hi/Low	On/On	Electric Rocker		.870" X 1.735"
VR-13-E	General	On/Off/On	M/N/M	Electric Rocker		.870" X 1.735"
VR-14-EO	General	On/Off	On/Off	Electric Rocker		.870" X 1.735"
VR-15-BL	General	Blank	On/Off	Electric Rocker		.870" X 1.735"
VR-18-BL	General	Blank	Momentary	Electric Rocker		.870" X 1.735"

- \* All VR Electrical Rocker Switches are:
- Rated 20A@12V DC
- Fit an opening size of .870" x 1.735"

Should you not find what you are looking for, contact us at (918) 622-5600

Visit [www.apscopower.com](http://www.apscopower.com) for additional part numbers, installation instructions and dimensional drawings





VR-16-MT

6651

6652

VRN-PTO-1

VRN-TG-1

VRN-LA

VRN-HL-1

VRN ROCKER SWITCHES*			
PART #	APPLICATION	LABEL	POSITIONS
VR-16-MT	Tarp	Open/Close	M/N/M
6650	General	Blank with marker light	On/Off
6651	General	Blank with marker light	Momentary
6652	General	Blank with marker light	On/Off with Lock
VRN-BC-1	Body Camera	Body Camera On (backlit)	On/Off
VRN-BH-1	Body Heat	Body Heat On (backlit)	On/Off
VRN-DD-1	Divertor Dump Valve	Divertor Dump/Spreader(backlit)	On/Off
VRN-HL-1	High Lift	High Lift Raise (backlit)	On/Off
VRN-LA	Lift Axle	Lift Axle Down (backlit)	On/Off
VRN-LA-1	Lift Axle-1	Lift Axle-1 Down (backlit)	On/Off
VRN-LA-2	Lift Axle-2	Lift Axle-2 Down (backlit)	On/Off
VRN-LA-3	Lift Axle-3	Lift Axle-3 Down (backlit)	On/Off
VRN-LA-4	Lift Axle-4	Lift Axle-4 Down (backlit)	On/Off
VRN-ML-1	Marker Light	Marker Light (backlit)	On/Off
VRN-PTO-1	PTO with Lock	PTO (backlit)	On/Off
VRN-SL-1	Slide with Lock - Blank	Blank	On/Off
VRN-SPR-1	Spreader	Spreader (backlit)	On/Off
VRN-ST-1	Strobe Light	Strobe (backlit)	On/Off
VRN-ST-2	Strobe Light	Strobe Front (backlit)	On/Off
VRN-ST-3	Strobe Light	Strobe Rear (backlit)	On/Off
VRN-TG-1	Tailgate Latch	Tailgate Lock/Unlock (backlit)	On/Off
VRN-TGL-1	Tailgate Latch with Lock	Tailgate Lock/Unlock (backlit)	On/Off
VRN-TP-1	Tarp	Tarp Open/Close (backlit)	M/N/M
VRN-V-1	Vibrator	Vibrator (backlit)	Momentary
VRN-WL-1	Work Light	Work Light (backlit)	On/Off
VRN-WP-1	Water Pump	Water Pump (backlit)	On/Off
VRN-BLANK	General	Blank	On/Off

\* All VRN Electrical Rocker Switches are:

- Rated 20A@12V DC
- Fit an opening size of .830" x 1.450"

Should you not find what you are looking for, contact us at (918) 622-5600

Visit [www.apscopower.com](http://www.apscopower.com) for additional part numbers, installation instructions and dimensional drawings



5582



8112



6378



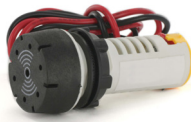
8219



8220

### TOGGLE & BUTTON SWITCH

PART #	APPLICATION	LABEL	POSITIONS	ACTION	RATING	OPENING
5582	General	Blank with LED	On/Off	Mini Electric Rocker	30A @ 12V DC	Ø 9/16" (round)
8219	Normally Open	Blank	Momentary	Electric Button (green)		Ø 7/8" (round)
8220	Normally Closed	Blank	Momentary	Electric Button (red)		Ø 7/8" (round)
8112	General	Blank - Waterproof	On/Off	Electric Toggle	20A @ 12V DC	Ø 1/2" (round)
1843	General	Blank	On/Off	Electric Toggle	20A @ 12V DC	Ø 1/2" (round)
6378	General	Blank	M/N/M	Electric Toggle	20A @ 12V DC	Ø 1/2" (round)



6758



7828



EL799-12



4450



4696

### LIGHTS - BUZZERS

PART #	APPLICATION	DESCRIPTION	RATING	OPENING
6758	Buzzer	BUZZER, 12V DC - NO LIGHT	12V DC	Ø 15/16"
7828	Light/Buzzer	BUZZER, 12V DC WITH FLASHING LIGHT	12V DC	Ø 3/4"
EL799-12	LED Light	LIGHT, RED LED WITH 12" LEADS	12V DC	Ø 5/16"
4450	Light	LIGHT, INCANDESCENT - RED	12V DC	Ø 1/2"
4696	LED Light	LIGHT, LED, FLAT HEAD - RED	12V DC	Ø 5/16"
5564	Clip	MOUNTING CLIP FOR 4696	12V DC	n/a

Should you not find what you are looking for, contact us at (918) 622-5600

Visit [www.apscopower.com](http://www.apscopower.com) for additional part numbers, installation instructions and dimensional drawings



4418



5957



6348



6733



7463



4625



5725



4458



4572

## HOLE PLUGS & ADAPTERS

PART #	APPLICATION	DESCRIPTION	OPENING
4419	Rectangle hole plug	PLUG-FLAT, ELECTRIC ROCKER OPENING (EATON = VR)	.870" x 1.735"
4459	Rectangle hole plug	PLUG, ELECTRIC ROCKER OPENING (CARLING = VRN)	.830" x 1.460"
4586	Rectangle hole plug	PLUG, RAISED, ELECTRIC ROCKER OPENING (EATON = VR)	.870" x 1.735"
4585	Rectangle hole adapter	ADAPTER, (VR-9-S OPENING TO VR SWITCH OPENING)	1.82" x 1.03"
8250	Rectangle hole adapter	ADAPTER, (VR-9-S OPENING TO VRN SWITCH OPENING)	1.82" x 1.03"
8839	Rectangle hole adapter	ADAPTER, (VR SWITCH OPENING TO VRN SWITCH OPENING)	.870" x 1.735"
7463	Round hole plug	PLUG. (Ø5/16") PLUG FOR EL-799-12	Ø 3/16"
4572	Round hole plug	PLUG (Ø7/16")	Ø 7/16"
4458	Round hole plug	PLUG, (Ø1/2") MODIFY TO PLUG TARP ROTARY SWITCH	Ø 1/2"
6733	Round hole plug	PLUG (Ø5/8")	Ø 5/8"
6348	Round hole plug	PLUG (Ø3/4" FLAT)	Ø 3/4"
5725	Round hole plug	PLUG. (Ø13/16")	Ø 13/16"
4625	Round hole plug	PLUG. (Ø15/16")	Ø 15/16"
5957	Round hole plug	PLUG (Ø1.156")	Ø 1.156"
4418	Round hole plug	PLUG (Ø1.9")	Ø 1.9"

Should you not find what you are looking for, contact us at (918) 622-5600

Visit [www.apscopower.com](http://www.apscopower.com) for additional part numbers, installation instructions and dimensional drawings



CONK-42 KIT



6250



5214



7432

BED-UP INDICATOR		
APSCO p/n	Application	Description
CONK-42	Bed-Up Sensor Kit	KIT - PROXIMITY SWITCH WITH RELAY & CABLE
6250	Included in Kit #CONK-42	PROXIMITY SWITCH - NORMALLY OPEN (NO)
7432	Included in Kit #CONK-42	CABLE - PROXIMITY SWITCH (5 M - 19.5 FT)
5214	Included in Kit #CONK-42	RELAY, 12V DC/30 AMP
6893	Optional Cable	CABLE - PROXIMITY SWITCH (10 M - 39 FT)

# ELECTRICAL - FUSE PANELS



5215



7157



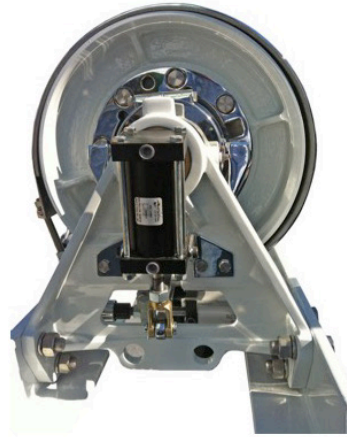
7284



7087

FUSE PANELS		
APSCO p/n	Application	Description
5215	Fuse Panel, 8-Circuit	FUSE PANEL, 8 CIRCUIT WITH FUSES (NUTS +/-)
7087	Fuse Panel, 8-Circuit	FUSE PANEL, 8 CIRCUIT - FUSES NOT INCLUDED
7157	Fuse Panel, 10-Circuit	FUSE PANEL, 10 CIRCUIT - FUSES NOT INCLUDED
7284	Fuse Panel, 6-Circuit	FUSE PANEL, 6 CIRCUIT - FUSES NOT INCLUDED

Should you not find what you are looking for, contact us at (918) 622-5600  
 Visit [www.apscopower.com](http://www.apscopower.com) for additional part numbers, installation instructions and dimensional drawings



### Features

APSCO pioneered the use of air controls for winches in the 1960's. Our understanding of the application and the harsh operating environments position us as the first and only choice among leading winch manufacturers. All of our winch kits are tailored to specific winch designs and include clutch cylinders, brake cylinders, controls, tubing, fitting, and all the required hardware for mounting.

### UNIVERSAL WINCH KITS

UNIVERSAL KIT #	Metering or Non-Metering	WINCH APPLICATION	CYLINDER CLUTCH / BRAKE	VALVES CLUTCH / BRAKE
W-1	Non-Metering	Winch Clutch	C-4060/N/A	V-8-S
W-2	Non-Metering	Winch Clutch (HD)	C-5060/N/A	V-8-S
W-4	Non-Metering	Winch Drum Brake	N/A/C-4050	V-5-S
W-7	Non-Metering	Winch Drum Brake (HD)	N/A/C-5050	V-5-S
W-12-M	Metering	Clutch and Brake	C-5050/C-4060	V-8-S, VM-2-X
W-14	Non-Metering	Clutch and Brake	C-4050/C-4060	V-85
W-14-M	Metering	Clutch and Brake	C-4050/C-4060	V-8-S, VM-2-X
W-27	Non-Metering	Clutch and Brake (HD)	C-5050/C-5060	V-85
W-27-M	Metering	Clutch and Brake (HD)	C-5050/C-5060	V-8-S, VM-2-X

Should you not find what you are looking for, contact us at (918) 622-5600

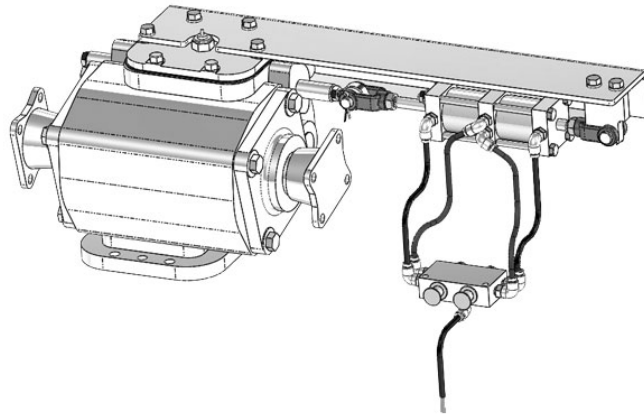
Visit [www.apscopower.com](http://www.apscopower.com) for additional part numbers, installation instructions and dimensional drawings

BRADEN WINCH KITS				
BRADEN WINCH KIT#	Metering or Non-Metering	WINCH APPLICATION	CYLINDER CLUTCH/ BRAKE	VALVES CLUTCH/ BRAKE
WBR-3	Non-Metering	AHSU3	C-5036/N/A	V-5-S
WBR-5	Non-Metering	AMGU5	C-5036/N/A	V-5-S
WBR-7	Non-Metering	AMS7-15B	C-4075/C-4075	V-55
WBR-716	Non-Metering	AMU7-16F	C-2001/N/A	V-8-S
WBR-10	Non-Metering	AMS10-18B	C-4007/C-5500	V-55
WBR-U-12	Non-Metering	AMSU12-12F	C-4091/N/A	V-8-S
WBR-U-12	Non-Metering	AHSU12-12F	C-4091/N/A	V-8-S
WBR-U-12	Non-Metering	AMSU10-12F	C-4091/N/A	V-8-S
WBR-U-12	Non-Metering	AHSU10-12F	C-4091/N/A	V-8-S
WBR-12	Non-Metering	MS-12	C-4007/C-5500	V-55
WBR-18	Non-Metering	PD-18	C-4790/N/A	V-8-S
WBR-18-B	Non-Metering	PD-18-B	C-5036/N/A	V-8-S
WBR-20	Non-Metering	AMS20	C-4074/C-5460	V-55
WBR-20-M	Metering	AMS20	C-4074/C-5460	V-5, VM-2-X
WBR-30	Non-Metering	MS30	C-4074/C-5470	V-55
WBR-30-M	Metering	MS30	C-4074/C-5470	V-5-S, VM-2-X
WBR-50	Non-Metering	MS50	C-5190/C-5250	V-55
WBR-50-M	Metering	MS50	C-5190/C-5250	V-5-S, VM-2-X
WBM-150	Non-Metering	M150A	C-5002/C-6001	V-55
WBR-CL	Non-Metering	CL-3L-1	C-4123/C-2507-F	V-8-S, V-88

TULSA WINCH KITS				
Tulsa Winch KIT #	Metering or Non-Metering	WINCH APPLICATION OLD/NEW MODEL	CYLINDER CLUTCH/ BRAKE	VALVES CLUTCH/ BRAKE
WT-23	Non-Metering	23/RN20WM	C-4178/C-5042	V-85
WT-23-M	Metering	23/RN20WM	C-4178/C-5042	V-8-S, VM-2-X
WT-34	Non-Metering	34/RN30WM	C-5300/C-5043	V-85
WT-34-M	Metering	34/RN30WM	C-5300/C-5043	V-8-S, VM-2-X
WT-64	Non-Metering	64/RN45WM	C-5280/C-5039	V-85
WT-64-M	Metering	64/RN45WM	C-5280/C-5039	V-8-S, VM-2-X
WT-70	Non-Metering	70/RN65WM	C-5280/C-5039	V-85
WT-70-M	Metering	70/RN65WM	C-5280/C-5039	V-8-S, VM-2-X
WT-80	Non-Metering	80/RN100WM	C-5281/C-5041	V-85
WT-80-M	Metering	80/RN100WM	C-5281/C-5041	V-8-S, VM-2-X

Should you not find what you are looking for, contact us at (918) 622-5600  
 Visit [www.apscopower.com](http://www.apscopower.com) for additional part numbers, installation instructions and dimensional drawings





PTO Kit

**Features**

APSCO's PTO control kits are easy to install and provide operator efficiency. Available in two, three, and four positions our kits are supplied complete with cylinder, control valve, tubing, fittings, and mounting hardware. If you do not see the PTO application you need listed below, please call us at (918) 622-5600.

**PTO KIT PARTS LIST**

MANUFACTURER	APPLICATION	KIT NUMBER
Parker, Chelsea	86, 860, 861, 862, 863	PC-7-2
Muncie	838	PMV-8

# CLUTCH KITS

**Features**

APSCO's Vehicle clutch control kits provide positive control of the vehicle clutch from one or two remote locations. Actuated from the cab, or "bed side", our clutch control kits provide engaging and disengaging of the vehicle clutch. All kits are complete with an APSCO spring return cylinder, 3-way control valve, tubing, and fittings.

**CLUTCH KIT PARTS LIST**

KIT NUMBER	STROKE	VALVES
CL-3	3"	C-5050-RP
CL-4	4 1/2"	C-5025-RP
CL-6	6"	C-5045-RP

Should you not find what you are looking for, contact us at (918) 622-5600

Visit [www.apscopower.com](http://www.apscopower.com) for additional part numbers, installation instructions and dimensional drawings



### Features

The ACT-5 air kit is your solution for operating pneumatic controls on trucks that are NOT equipped with air brakes.

### APSCO's ACT-5 kit includes:

- |                                   |                                |
|-----------------------------------|--------------------------------|
| 12V DC electric air compressor    | Pressure switch (85-105 PSI)   |
| 2 gallon air reservoir tank       | 1/4" DOT air tube (30 ft)      |
| 10 gauge 2 conductor wire (10 ft) | 1/4" tube x 1/8" NPT fittings. |



### 12 Volt Air Compressor with Mounting Hardware & Remote Air Breather Features:

- CFM: 1.38
- Max Pressure: 150 PSI
- Max 12V Amp Draw: 21 amps
- Duty Cycle: 33% @ 100 PSI
- Fill Rate (2.5 gallons): 0-105 PSI @ 155 sec/85-105 PSI @ 40 sec
- Vibration Isolators
- Thermal Overload Protection
- Remote Air Breather
- Pressure Switch

Shipping Weight: 9 LBS  
Dimensions: 8" long x 4" wide x 6.75" tall

### Air Tank Features:

- (4) 1/4" Ports (located side, top & bottom of the tank)
- (2) 3/8" Ports (located both ends of the tank)
- Red Oxidized Coated Interior to resist Rust
- D.O.T. Approved
- Powder Coated Gloss Black

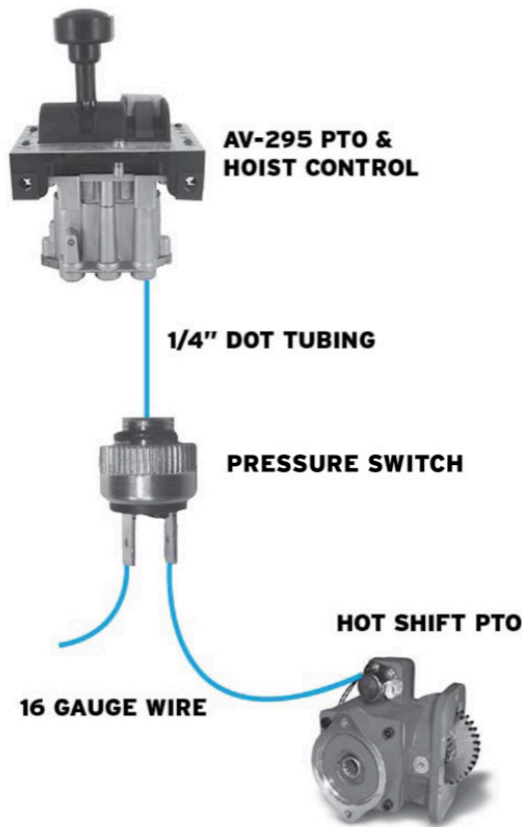
Shipping Weight: 13 LBS  
Dimensions: 17" long x 6" wide x 8" tall

### ACT-5 COMPRESSOR KIT - TECHNICAL INFORMATION

@PSI	0	20	40	60	80	100	120	140	150
Flow Rate/CFM	1.94	1.45	1.27	1.13	0.99	0.85	0.76	0.64	0.6
AMP Draw	13	17	19	20	21	21	21	20	20

Should you not find what you are looking for, contact us at (918) 622-5600

Visit [www.apscopower.com](http://www.apscopower.com) for additional part numbers, installation instructions and dimensional drawings



**Features and Benefits:**

Paired with APSCO's AV-295 valve the EC-PTO converts the pneumatic PTO output to an electric signal.

The EC-PTO kit allows for fully integrated hoist/PTO control for hot shift PTO's.

Hot shift PTO's can now be automatically "kicked out" when hoists are lowered using the APSCO EC-PTO kit.

**EC-PTO Kit Parts List**

Part #	Description	Where Used	Rating
EC-PTO	KIT	master kit	
5799	PRESSURE SWITCH (1/8 NPT)	EC-PTO	Normally Open, MAWP = 145 PSI, 8.33 amps @ 12V DC
WH-EC-PTO	WIRING HARNESS (15 FT)	EC-PTO	
1707	1/4 DOT TUBE X 1/4" LONG	EC-PTO	
4424	FITTING, 1/4 TUBE X 1/8 FNPT	EC-PTO	

Should you not find what you are looking for, contact us at (918) 622-5600

Visit [www.apscopower.com](http://www.apscopower.com) for additional part numbers, installation instructions and dimensional drawings

## ACTUATOR SEAL KITS

Actuator p/n	Kit Includes	Seal Kit #
C-2529	O-Rings	SK-3109
C-2533	O-Rings	SK-3109
C-3503-DM	O-Rings	SK-3503
C-3505-DM	O-Rings	SK-3329-DM
C-3508-DM	O-Rings	SK-4266
C-3514-DM	O-Rings	SK-5334
C-3514-DM-BR	O-Rings	SK-5334
C-3520-DM	O-Rings	SK-4084
C-3522-DM	O-Rings	SK-4084
C-3525-DM	O-Rings	SK-5340
C-3526-DM	O-Rings	SK-4170
C-3535-DM	O-Rings	SK-4065
C-3540-DM	O-Rings	SK-4171
C-3542-DM	O-Rings	SK-4084
C-3551-DM	O-Rings	SK-3551
C-3560-DM	O-Rings	SK-4084
C-3570-DM	O-Rings	SK-4084
C-3590-DM	O-Rings	SK-4084
C-3805-DM	O-Rings	SK-4814
C-3814-DM-BR	O-Rings, Snap Ring	SK-7258
C-3820-DM	O-Rings	SK-4833
C-3835-DM	O-Rings	SK-4833
C-3832-DM	O-Rings	SK-7530
C-3832-DM-CS	O-Rings	SK-7531

## VM-SERIES SEAL KITS

For VM-Series	Kit Includes	Seal Kit #
VM-7 Seal Kit	O-Rings	SK-VM-7-A
VM-7 Rebuild Kit	O-Rings, Springs, Cups, Pin, Plunger/Seat, Retaining Ring	SK-VM-7-A
VM-10 Seal Kit	O-Rings	SK-VM-10-A
VM-10 Rebuild Kit	O-Rings, Springs, Cups, Pin, Plunger/Seat, Retaining Ring	SK-VM-10-B

## VALVE SEAL KITS

For Air Valve p/n	Kit Includes	Seal Kit #
V-5	O-Ring, Snap Ring	SK-1208
V-55	O-Ring, Snap Ring	SK-1238
V-555	O-Ring, Snap Ring	SK-1575
V-8	O-Ring, Snap Ring	SK-1208
V-88	O-Ring, Snap Ring	SK-1238
V-38	O-Ring, Snap Ring	SK-1575
VC-3	O-Ring, Snap Ring, Pin, Washer	SK-1151

Should you not find what you are looking for, contact us at (918) 622-5600

Visit [www.apscopower.com](http://www.apscopower.com) for additional part numbers, installation instructions and dimensional drawings

CYLINDER SEAL KITS		
For Cylinder Series or p/n	Kit Includes	Seal Kit #
<b>C-0400 Series (Ø1.25" Rod)</b>	O-Rings, U-Cup, Wiper, Seal, Piston Rings	SK-5361
C-2000 Series	O-Rings	SK-3109
C-2500-F Series	O-Rings	SK-3487
C-3000 Series	O-Rings	SK-1700
C-3021	O-Rings, Wiper, Seal	SK-3021
C-4000 Series	O-Rings	SK-1240
C-4000-D Series	O-Rings	SK-1243
C-4128A	O-Rings, Wiper, Piston Rings	SK-6045
C-4233	O-Rings	SK-4052
C-4233 (Metric)	O-Rings	SK-4052-M
C-4234	O-Rings	SK-4052
C-4235	O-Rings	SK-4052
C-4236	O-Rings	SK-4052
C-4237	O-Rings	SK-4052
C-4238	O-Rings, Wiper	SK-4199
C-4239	O-Rings, Wiper	SK-4199
C-4800-F Series	O-Rings	SK-1536
C-5000 Series	O-Rings	SK-1245
C-5000 Series (Ø0.63" Rod & Wiper)	O-Rings, Wiper	SK-2609
C-5064	O-Rings, Wiper	SK-4102
C-5450	O-Rings	SK-3107
C-6000 Series (Ø0.63" Rod)	O-Rings, Seal	SK-5482
C-6000 Series (Ø0.75" Rod)	O-Rings, Wiper, Seal	SK-1779
C-6000 Series (Ø1.00" Rod)	O-Rings, Wiper, Seal	SK-3037
C-6128 (Ø1.25" Rod)	O-Rings, U-Cup, Wiper, Seal, Piston Rings	SK-3853
C-6063	O-Rings, Wiper, Seal	SK-3178
C-6128 (Ø1.25" Rod)	O-Rings, U-Cup, Wiper, Seal, Piston Rings	SK-3853
C-6224-PK-M	O-Rings, U-Cup, Wiper, Seal, Piston Rings	SK-4974
C-6512	O-Rings, Wiper, Seal	SK-5002
C-7400 Series (Ø1.00" Rod)	O-Rings, U-Cup, Wiper, Seal, Piston Rings	SK-3968
C-7400 Series (Ø1.25" Rod)	O-Rings, U-Cup, Wiper, Seal, Piston Rings	SK-3909
C-8000 Series (Ø1.25" Rod)	O-Rings, U-Cup, Wiper, Seal, Piston Rings	SK-4009
C-8001 (Ø1.00" Rod)	O-Rings, U-Cup, Wiper, Seal, Piston Rings	SK-3688
C-9500 Series (Ø1.25" Rod)	O-Rings, U-Cup, Wiper, Seal	SK-2836
C-9600 Series (Ø1.25" Rod)	O-Rings, U-Cup, Wiper, Seal	SK-2836
C-9800 Series (Ø1.25" Rod)	O-Rings, U-Cup, Wiper, Seal, Wear Strip	SK-7424 for 1.25" Rod
C-9800 Series (Ø1.50" Rod)	O-Rings, U-Cup, Wiper, Wear Strip	SK-8277 for 1.50" Rod
C-9800 Series (Ø1.75" Rod)	O-Rings, U-Cup, Wiper, Wear Strip	SK-4665 for 1.75" Rod
C-9802 Series (Ø1.75" Rod)	O-Rings, U-Cup, Wiper, Wear Strip	SK-4665 for 1.75" Rod
C-9830-C-PK (Ø1.25" Rod)	O-Rings, U-Cup, Wiper, Seal, Wear Strip	SK-7424 for 1.25" Rod
C-9836-C-PK-1 (Ø1.50" Rod)	O-Rings, U-Cup, Wiper, Wear Strip	SK-8277 for 1.50" Rod
C-9853-C-PK-1 (Ø1.50" Rod)	O-Rings, U-Cup, Wiper, Wear Strip	SK-8277 for 1.50" Rod
C-9873-C-PK-1 (Ø1.25" Rod)	O-Rings, U-Cup, Wiper, Wear Strip	SK-7424 for 1.25" Rod
C-9876-C-PK-1 (Ø1.50" Rod)	O-Rings, U-Cup, Wiper, Seal, Wear Strip	SK-8277 for 1.50" Rod

Should you not find what you are looking for, contact us at (918) 622-5600

Visit [www.apscopower.com](http://www.apscopower.com) for additional part numbers, installation instructions and dimensional drawings



Buyer's assent to these terms and conditions of sale shall be conclusively presumed from Buyer's execution of a Sales Contract, submission of an Order, receipt of any material ordered of services rendered, or from APSCO's commencement of work on the goods. Acceptance of Buyer's Order shall be conditioned upon and subject to these terms and conditions. No other term that purports to vary these Terms and Conditions, shall be binding upon APSCO unless set forth in writing signed by APSCO. Additional terms listed on the reverse side hereof, if inconsistent herewith, shall control and be deemed a part hereof: All negotiations, proposals and representations, if any, made prior and with reference hereto are incorporated herein. This writing shall constitute a complete and exclusive statement of the terms of the agreement between Buyer and APSCO.

1. Prices and shipping terms are F.O.B. APSCO's dock Tulsa, Oklahoma. Payment is due net thirty (30) days after the rendering of this invoice and is to be made in the U.S. funds or their equivalent. - Buyer agrees to pay a sum equal to 18% per annum until paid and all cost of collection, including attorney's fees, on any sums not paid when due.

2. Dates of delivery are determined from the date of APSCO's acceptance of any order by Buyer and are estimates of approximate dates of delivery, not a guaranty of a particular day of delivery. APSCO shall not be liable for failure or delay in shipping goods if such failure or delay is due to an act of God, war, labor difficulties, accident, inability to obtain containers or raw materials, or any other causes of any kind whatever beyond the control of APSCO.

3. Prices do not include, and Buyer agrees to pay any tax, duty, tariff or other assessment imposed by federal, state or other governmental authority on the sale of the merchandise and service shall be paid by Buyer in addition to the purchase price.

4. Buyer hereby indemnifies, agrees to hold harmless and defend APSCO, its officers, directors, employees, agents, divisions, subsidiaries and affiliates from and against any, and all, liabilities, claims, losses, damages, costs and expenses (including without limitation, special and consequential damages, damages for patent infringement or similar cause of action) resulting from Buyer's use, furnishing of any specification, plan, design, or modification of the goods; omission, neglect, or Buyer's misapplication of proprietary or other information furnished regarding the goods sold by APSCO, whether or not the goods or information originated with APSCO; and further from any, and all, damage to property or personal injury or death arising out of or attributable to the goods, including but not limited to any part not manufactured by APSCO. Buyer accepts all responsibility for the installation and use of adequate safety guards and devices and agrees to hold APSCO harmless in the event of personal injury resulting from inadequate safety guards or devices.

5. APSCO warrants to the original Buyer only, the goods sold conform to the specifications set forth on the invoice and shall be tested to indicate that the same are free from defects in materials and workmanship under normal recommended use for 1 year of service, but in no case more than 2 years beyond the original date of purchase. Except for the warranty that the goods are made in a workmanlike manner and in accordance with the specifications therefore supplied or agreed to by buyer and are made or packaged pursuant to the customary manufacturing procedures of APSCO. TO THE EXTENT NOT IMPERMISSIBLE UNDER APPLICABLE LAW THIS WAR-

RANTY IS IN LIEU OF ALL OTHER WARRANTIES, EXPRESSED OR IMPLIED; INCLUDING ANY IMPLIED WARRANTY OF MERCHANTABILITY OR FITNESS FOR A PARTICULAR PURPOSE, WHETHER ARISING BY LAW, CUSTOM OR CONDUCT. THE FOREGOING RIGHTS AND REMEDIES ARE EXCLUSIVE AND IN LIEU OF OTHER CLAIMS, RIGHT OR REMEDIES WHATSOEVER, WHETHER STATUTORY OR BASED ON CONTRACT, TORT OR OTHERWISE. APSCO's obligation under this warranty is limited to repair or replacement of any part judged defective by APSCO at a point designated by APSCO. APSCO will not be liable for any consequential damages, loss or expense arising in connection with the inability to use its good for any purpose whatever. APSCO's maximum liability shall not in any case exceed the contract price for the goods claimed to be defective or unsuitable. This warranty does not apply to any goods manufactured by manufacturers other than APSCO, which are separately warranted by such other manufacturers (appropriate adjustments therefore being provided by their respective manufacturers); and any of the goods which have been altered, subjected to misuse, negligence or accident.

6. The products covered hereby shall be deemed finally inspected and accepted within ten (10) days after delivery thereof, unless notice of non-conformity is given in writing to APSCO within said period. Acceptance as aforesaid shall be deemed full performance of APSCO's obligation hereunder.

7. APSCO shall not be responsible for products that have been modified in any way after leaving APSCO's facility, and APSCO does not assume responsibility for any rework applied to parts without its consent. No goods shall be returned without APSCO's permission. Defective material will be replaced or credited, whichever APSCO elects.

8. This Agreement shall be governed by the laws of the State of Oklahoma, United States of America, without regard to its provisions for conflict of laws. The parties specifically exclude application of the United Nations Convention on Contracts for the Sale of Goods. The parties agree that each will in good faith attempt to resolve any controversy or claim arising out or related to this agreement promptly through negotiations between authorized representatives of APSCO and Buyer within ninety (90) days of such claim or written notice of dispute. Should such negotiations not resolve such claim or dispute within such period, such claim or dispute shall be finally settled under the Rules of the American Arbitration Association by one or more arbitrators appointed in accordance with the Rules thereof, and whose decision will be binding upon both parties. The arbitration proceedings, if any, shall be conducted solely in the English language, including any documentation supplied by the parties in connection therewith. Application may be made to any court for confirmation of any award rendered in any arbitration proceeding having jurisdiction over the parties for a judicial acceptance of such award and for an order of enforcement or other legal remedy as the case may be. The arbitration proceedings shall be conducted in the City of Tulsa, Oklahoma, United States of America. Consent is hereby given to the jurisdiction of any court regarding any matter arising out of such arbitration or the enforcement of any such award. The arbitral award shall be final and binding upon both parties. Application may be made to any court for confirmation or enforcement of any such award having jurisdiction over the party against whom such enforcement is sought. Each party represents that any such arbitral award shall be enforceable against it under the laws of its domicile.

Should you not find what you are looking for, contact us at (918) 622-5600

Visit [www.apscopower.com](http://www.apscopower.com) for additional part numbers, installation instructions and dimensional drawings





# PART NUMBER INDEX

Part #	Page #	Part #	Page #	Part #	Page #	Part #	Page #	Part #	Page #
532PB	1-7	6075	7-5	AQX-03	2-8	BVM7-C	6-1	C-3872-DM	4-3
535P	1-7	6250	8-5	ARC-30S	1-10	C-0406-PK	3-2	C-3878-DM	4-3
542PB	1-7	6348	8-4	ARC-45	1-12	C-0410-SR	3-2	C-3880-DM	4-3
575P	1-7	6378	8-3	ARC-60	1-14	C-0411-SR	3-2	C-3893-DM	4-3
642PB	1-7	6650	8-2	AV-195	5-1	C-0416-PK-1	3-3	C-3894-DM	4-3
1169	3-6	6651	8-2	AV-195-DMH	5-1	C-0424-PK	3-3	C-3895-DM	4-3
1201	3-6	6652	8-2	AV-295	5-1	C-0424-PK-1	3-3	C-5026-PK	3-1
1202	3-7	6733	8-4	AV-295-DMH	5-1	C-0426-PK-1	3-3	C-5026S-PK	3-1
1204	3-7	6743	3-6	AV-295-M	5-1	C-0427-PK-1	3-3	C-5063	3-1
1299	3-6	6758	8-3	AVC-195-13	5-4	C-0428-FC	3-3	C-5070	3-1
1599	6-5	6893	8-5	AVC-195-8	5-4	C-0429-FC-PK-1	3-4	C-5070-PK	3-1
1600	6-5	6995	3-6	AVC-195-DMH-13	5-4	C-0430-PK	3-4	C-5070S	3-1
1707	9-5	7014	3-6	AVC-195-DMH-8	5-4	C-0430-PK-1	3-4	C-5072	3-1
1843	8-3	7087	8-5	AVC-195-DMHTG-13	5-4	C-0431-PK-1	3-4	C-5075-PK	3-1
3162	3-6	7157	8-5	AVC-195-DMHTG-8	5-4	C-2529	4-1	C-5078-PK	3-1
3163	3-7	7212	3-7	AVC-195-HP-13	5-4	C-2533	4-1	C-5080	3-1
3940	3-7	7213	3-6	AVC-195-HP-8	5-4	C-3503-DM	4-1	C-5081-PK	3-1
4019	3-7	7230	3-6	AVC-195-T-13	5-4	C-3505-DM	4-1	C-5091	3-1
4131	3-6	7265	3-6	AVC-195-T-8	5-4	C-3508-DM	4-1	C-5094	3-1
4141	7-5	7284	8-5	AVC-195-TG-13	5-4	C-3514-DM	4-2	C-5097-SE-PK	3-1
4418	8-4	7432	8-5	AVC-195-TG-8	5-4	C-3516-DM	4-2	C-5103-SR	3-1
4419	8-4	7463	8-4	AVC-195-TGMT-13	5-4	C-3520-DM	4-2	C-5180S	3-1
4424	9-5	7828	8-3	AVC-295-13	5-4	C-3522-DM	4-2	C-5331-PK	3-1
4428	6-5	8010	2-8	AVC-295-8	5-4	C-3525-DM	4-2	C-5450	3-1
4446	6-5	8073	2-8	AVC-295-DMH-13	5-4	C-3526-DM	4-2	C-6004	3-2
4450	8-3	8112	2-8, 8-3	AVC-295-DMH-8	5-4	C-3526-DMK4	4-2	C-6009-PK	3-2
4458	8-4	8219	8-3	AVC-295-DMH-M13	5-4	C-3527-DM	4-2	C-6010	3-2
4459	8-4	8220	8-3	AVC-295-DMH-M-8	5-4	C-3535-DM	4-2	C-6011-PK	3-2
4464	6-1	8250	8-4	AVC-295-DMH-T-8	5-4	C-3540-DM	4-2	C-6023-PK	3-2
4531	6-1	8839	8-4	AVC-295-DMHTG13	5-4	C-3542-DM	4-2	C-6023S-PK	3-2
4542	3-7	3239-13	5-2	AVC-295-DMH-TG8	5-4	C-3546-DM	4-2	C-6053S-PK	3-2
4559	7-6	3239-6	5-2	AVC-295-HP-13	5-4	C-3551-DM	4-2	C-6057-PK	3-2
4572	8-4	3239-8	5-2	AVC-295-HP-8	5-4	C-3552-DM	4-2	C-6059-E-PK	3-2
4585	8-4	3239-W13	5-2	AVC-295-M-13	5-4	C-3560-DM	4-2	C-6059-F-PK	3-2
4586	8-4	3239-W6	5-2	AVC-295-M-8	5-4	C-3570-DM	4-2	C-6063	3-2
4588	3-6	3239-W8	5-2	AVC-295-M-HP-13	5-4	C-3572-DM	4-2	C-6068-PK	3-2
4625	8-4	3940A	3-7	AVC-295-M-T-13	5-4	C-3578-DM	4-2	C-6080	3-2
4648	6-3, 6-4	4653-8	5-2	AVC-295-M-T-8	5-4	C-3590-DM	4-2	C-6081-PK	3-2
4696	8-3	575004	1-7	AVC-295-M-TG-13	5-4	C-3805-DM	4-1	C-6084-PK	3-2
4770	7-5	575007	1-7	AVC-295-M-TG-8	5-4	C-3817-DM	4-3	C-6086-PK	3-2
4883	7-5	575008	1-7	AVC-295-MTGMT13	5-4	C-3818-DM	4-3	C-6089-PK	3-2
4910	3-6	575009	1-7	AVC-295-T-13	5-4	C-3820-DM	4-3	C-6090-PK	3-2
4969	3-7	ACT-5	9-4	AVC-295-T-8	5-4	C-3826-DM	4-3	C-6093-PK	3-2
5104	3-6	ALC-100	2-8	AVC-295-TG-13	5-4	C-3832-DM	4-3	C-6096-E-WP-PK	3-2
5214	8-5	ALC-110	2-8	AVC-295-TG-8	5-4	C-3832-DM-CS	4-3	C-6096-PK	3-2
5215	8-5	AM2	1-18	AVC-295-TGMT-13	5-4	C-3833-DM	4-3	C-6097-PK	3-2
5362	3-6	AM4	1-22	AVC-295-TTG-13	5-4	C-3834-DM	4-3	C-6101-SR-PK	3-1
5439	3-7	AP20	1-24	AVC-295-TTG-8	5-4	C-3835-DM	4-3	C-6102-P	3-2
5564	8-3	AP51	1-26	BVM7-2	6-5	C-3836-DM	4-3	C-6103-PK	3-2
5582	8-3	APG-20	1-28	BVM7-3	6-5	C-3840-DM	4-3	C-6203-SR	3-1
5725	8-4	APG-35	1-7	BVM7-4	6-5	C-3841-DMEC	4-3	C-6224-PK-M	3-3
5799	9-5	APSV-100-A	1-32	BVM7-5	6-5	C-3845-DM	4-3	C-6318-PK	3-2
5957	8-4	APSV-100-M	1-11	BVM7-6	6-5	C-3845-DM-CC	4-3	C-7402-B-PK	3-3
6000	2-7	APTV-100	1-34	BVM7-7	6-5	C-3850-DM	4-3	C-7402-PK	3-3
6002	2-8	APV-20	1-30	BVM7-8	6-5	C-3864-DM	4-3	C-7403-PK	3-4

**AA-1**

Should you not find what you are looking for, contact us at (918) 622-5600

Visit [www.apscopower.com](http://www.apscopower.com) for additional part numbers, installation instructions and dimensional drawings



# PART NUMBER INDEX

Part #	Page #	Part #	Page #	Part #	Page #	Part #	Page #	Part #	Page #
C-7404-PK	3-3	CONV-APS-13	2-2	PP-470	6-5	SK-8277	10-2	VMH-35	6-1
C-7421-PK-M	3-3	CONV-APS-14	2-2	PP-470	7-7	SK-VM-7-A	6-1	VMH-45	6-1
C-7424-B	3-3	CONV-APS-15	2-1	RFL-500M	1-5	SK-VM-7-B	6-1	VMH-55	6-1
C-7424-PK	3-3	CONV-APS-15-LT	2-1	RK-1	6-5	SS140P	1-1	VMH-8	6-1
C-7424-PK-M	3-3	CONV-APS-16	2-1	RK-1600	2-7, 6-5	SS510P	1-3	VMH-S	6-1
C-7426-PK	3-3	CONV-APS-17	2-1	SK-1151	10-1	SS675	1-16	VMH-S-EM	6-1
C-7436	3-4	CONV-APS-17-LT	2-1	SK-1208	10-1	SS934	1-8	VMH-S-EO	6-1
C-8020-A-PK	3-4	CONV-APS-18	2-1	SK-1238	10-1	TF-64	6-5	VR-10-A	7-6
C-8024	3-4	CONV-APS-18-LT	2-1	SK-1240	10-2	TF-65	6-5	VR-13-E	8-1
C-8028	3-4	CONV-APS-20	2-2	SK-1243	10-2	TF-66	6-5	VR-14-EO	8-1
C-8030-PK	3-4	CONV-APS-21	2-2	SK-1245	10-2	TF-67	6-5	VR-15-BL	8-1
C-8120-B-PK	3-4	CONV-APS-5	2-4	SK-1536	10-2	TF-68	6-5	VR-16-MT	8-2
C-8120-PK	3-4	CONV-APS-7	2-1	SK-1575	10-1	TF-69	6-5	VR-18-BL	8-1
C-8120-PK-1	3-4	CONV-APS-7-LT	2-1	SK-1700	10-2	TF-70	6-5	VR-2-ET	8-1
C-8120-PK-M	3-4	CONV-APS-7-M	2-1	SK-1779	10-2	TF-71	6-5	VR-3-EH	8-1
C-9620-C-PK	3-5	CONV-APS-8	2-1	SK-2609	10-2	TF-79	6-5	VR-4-EV	8-1
C-9802-PK	3-5	CONV-APS-8-LT	2-1	SK-2836	10-2	TF-80	6-5	VR-5-EP	8-1
C-9817-C-PK-1	3-5	CONV-APS-9	2-2	SK-3021	10-2	TF-81	6-5	VR-6-EST	8-1
C-9830-C-PK-1	3-5	CONV-APS-9-LT	2-2	SK-3037	10-2	TF-82	6-5	VR-7-EWL	8-1
C-9836-C-PK-1	3-5	CONV-UNI-20	2-4	SK-3107	10-2	V-38	7-2	VR-8-EHL	8-1
C-9853-C-PK-1	3-5	CONV-UNI-23	2-4	SK-3109	4-1, 10-1, 10-2	V-5	7-1	VR-9-S	7-6
C-9873-C-PK-1	3-5	CONV-UNI-3A	2-5	SK-3178	10-2	V-55	7-1	VRN-BC-1	8-2
C-9876-C-PK-1	3-5	CONV-UNI-3AE	2-5	SK-3329-DM	4-1, 10-1	V-555	7-1	VRN-BH-1	8-2
CL-3	9-3	CONV-UNI-4	2-3	SK-3487	10-2	V-5-B	7-7	VRN-BLANK	8-2
CL-4	9-3	DX-2	2-8	SK-3503	10-1	V-5-LV	7-7	VRN-DD-1	8-2
CL-6	9-3	EC-PTO	5-5, 9-5	SK-3551	4-2, 10-1	V-8	7-2	VRN-HL-1	8-2
CON-3	2-7	EL799-12	8-3	SK-3688	10-2	V-85	7-1, 7-2	VRN-LA	8-2
CON-3A	2-7	HG-75	4-2	SK-3853	10-2	V-88	7-2	VRN-LA-1	8-2
CON-3A-25	2-7	HGS-75	4-2	SK-3909	10-2	V-8-B	7-7	VRN-LA-2	8-2
CON-3AE	2-7	LLSV-1-AP	7-10	SK-3968	10-2	V-8-S-LK	7-2	VRN-LA-3	8-2
CON-3AE-25	2-7	LLSV-1-AP-A	7-10	SK-4009	10-2	V-8-S-TG	7-2	VRN-LA-4	8-2
CONB-1-R	6-3	LLSV-1-E	7-10	SK-4052	10-2	V-8-S-TGL	7-2	VRN-ML-1	8-2
CONB-1-S	6-3	LLSV-1-E-A	7-10	SK-4052-M	10-2	V-8-TG	7-2	VRN-PTO-1	8-2
CONB-1-S6	6-3	LLSV-2-AP	7-10	SK-4065	4-2, 10-1	VC-3	7-1	VRN-SL-1	8-2
CONB-1-S8	6-3	LLSV-2-E	7-10	SK-4084	4-2, 10-1	VE-2	7-6	VRN-SPR-1	8-2
CONB-2	6-3	PC-7-2	93	SK-4102	10-2	VE-2-3W	7-6	VRN-ST-1	8-2
CONB-2-R	6-3	PED-10-3-11	6-4	SK-4170	4-2, 10-1	VE-31	7-6	VRN-ST-2	8-2
CONB-3-R	6-3	PED-10-3-11-2P	6-4	SK-4171	4-2, 10-1	VL-5-ES	2-7, 7-2, 7-6	VRN-ST-3	8-2
CONB-4	6-3	PED-10-3-15	6-4	SK-4199	10-2	VM-10 Rebuild Kit	10-1	VRN-TG-1	8-2
CONB-Q	6-3	PED-10-3-15-2P	6-4	SK-4266	4-1, 10-1	VM-10 Seal Kit	10-1	VRN-TGL-1	8-2
CONK-42	8-5	PED-4-11	6-4	SK-4665	10-2	VM-10-3L	6-3, 6-4	VRN-TP-1	8-2
CONV-3AE-LSM	2-5	PED-4-11-2P	6-4	SK-4814	4-1, 10-1	VM-10-C	6-2	VRN-V-1	8-2
CONV-3AE-RSM	2-5	PED-4-15	6-4	SK-4833	4-3, 10-1	VM-10-R	6-2	VRN-WL-1	8-2
CONV-3A-LSM	2-5	PED-4-15-2P	6-4	SK-4974	10-2	VM-10-W	6-2	VRN-WP-1	8-2
CONV-3A-RSM	2-5	PED-6-11	6-4	SK-5002	10-2	VM-11	6-1	VS-1-R	7-7
CONV-3A-SM-1	2-5	PED-6-11-2P	6-4	SK-5334	4-2, 10-1	VM-12	6-1	VS-2-R	7-7
CONV-3A-SM-2	2-5	PED-6-15	6-4	SK-5340	4-2, 10-1	VM-13	6-1	VTS-11X	7-5
CONV-4E-CAR	2-5	PED-6-15-2P	6-4	SK-5361	10-2	VM-2-X	7-7	VTS-1X	7-5
CONV-4E-VR	2-5	PED-8-11	6-4	SK-5482	10-2	VM-7	6-1	VTS-2	7-5
CONV-APS-1	2-4	PED-8-11-2P	6-4	SK-6045	10-2	VM-7 Rebuild Kit	10-1	VTS-21	7-5
CONV-APS-10	2-1	PED-8-15	6-4	SK-7258	10-1	VM-7 Seal Kit	10-1	VTS-29	7-5
CONV-APS-11	2-1	PED-8-15-2P	6-4	SK-7424	10-2	VM-8	6-1	VTS-2X	7-5
CONV-APS-11-LT	2-1	PMV-8	9-3	SK-7530	4-3, 10-1	VM-9	6-1	VTS-9X	7-5
CONV-APS-12	2-2	PP-470	2-8	SK-7531	4-3, 10-1	VMH-20	6-1	VX-3	7-1

AA-2

Should you not find what you are looking for, contact us at (918) 622-5600

Visit [www.apscopower.com](http://www.apscopower.com) for additional part numbers, installation instructions and dimensional drawings



## PART NUMBER INDEX

Part #	Page #	Part #	Page #	Part #	Page #	Part #	Page #	Part #	Page #
VX-4	2-7	W-27	9-1	WBR-20-M	9-2	WBR-U-12	9-2	WT-64	9-2
VX-4	7-2	W-27-M	9-1	WBR-3	9-2	WBR-U-12	9-2	WT-64-M	9-2
VX-4-AP	7-2, 7-7	W-4	9-1	WBR-30	9-2	WBR-U-12	9-2	WT-70	9-2
VX-4-APS	7-2, 7-7	W-7	9-1	WBR-30-M	9-2	WBR-U-12	9-2	WT-70-M	9-2
VX-4-N	7-2	WBM-150	9-2	WBR-5	9-2	WH-4	2-8	WT-80	9-2
W-1	9-1	WBR-10	9-2	WBR-50	9-2	WH-EC-PTO	9-5	WT-80-M	9-2
W-12-M	9-1	WBR-12	9-2	WBR-50-M	9-2	WT-23	9-2		
W-14	9-1	WBR-18	9-2	WBR-7	9-2	WT-23-M	9-2		
W-14-M	9-1	WBR-18-B	9-2	WBR-716	9-2	WT-34	9-2		
W-2	9-1	WBR-20	9-2	WBR-CL	9-2	WT-34-M	9-2		

Should you not find what you are looking for, contact us at (918) 622-5600

Visit [www.apscopower.com](http://www.apscopower.com) for additional part numbers, installation instructions and dimensional drawings



**DUMP**



**BULK TRANSFER**



**SNOW & ICE**



**REFUSE & WASTE**



**REFUSE & WASTE**



**OIL & GAS**

**APSCO, Inc.**  
4221 S 68th E Ave., Suite A,  
Tulsa, OK 74145

voice +1.918.622.5600  
fax +1.918.628.2853  
sales@apscopower.com  
www.apscopower.com



Distributed by

In order to provide you the highest quality, full featured products, we reserve the right to change our specifications and designs at any time. Specifications and performance data subject to change without notice.