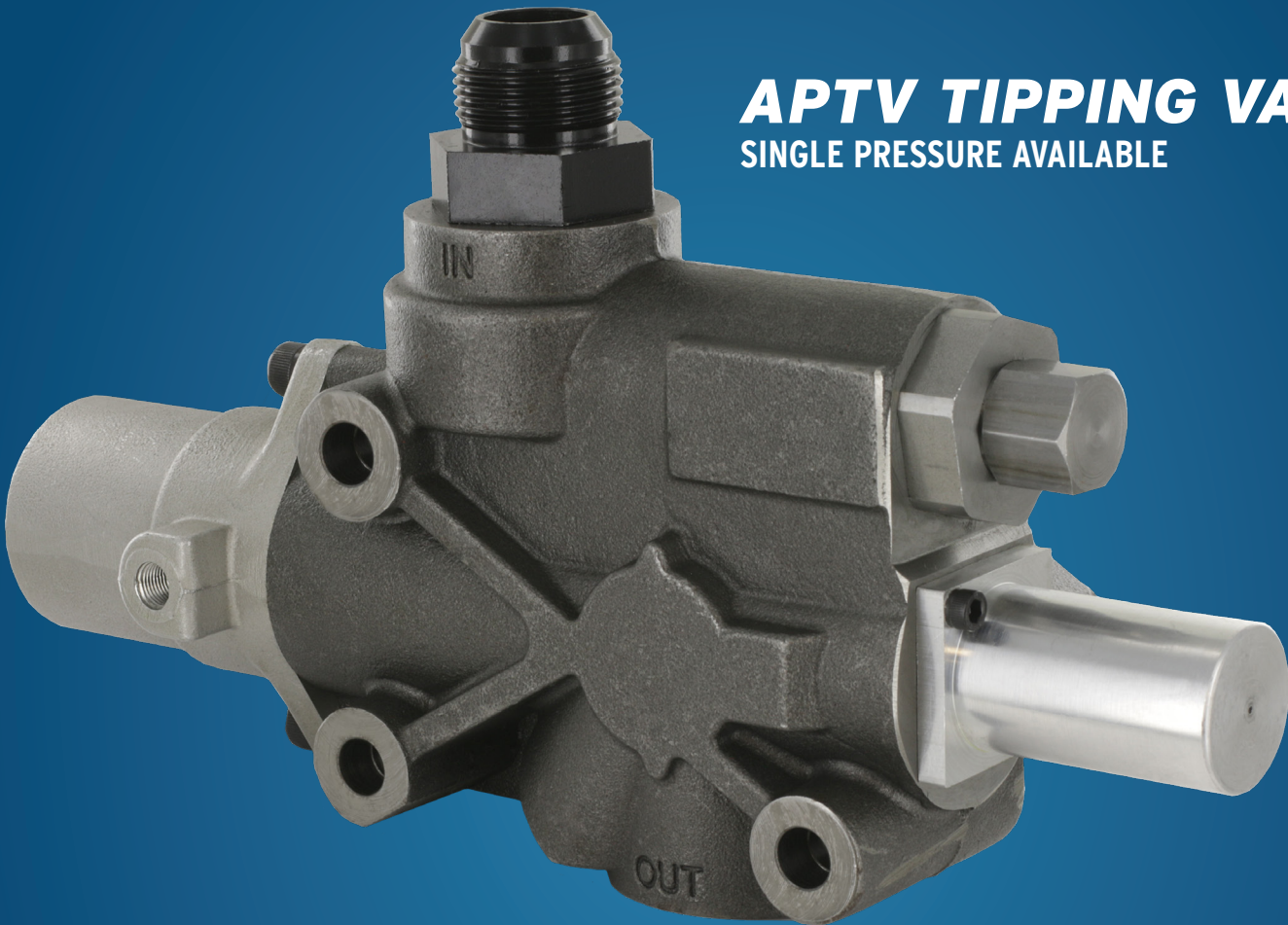


TIPPING VALVE

APT_V TIPPING VALVE

SINGLE PRESSURE AVAILABLE



APT_V-100 Single Pressure [Raise-Hold-Lower]

FEATURES:

- Built in load check
- 1/8" NPT gauge port or indicator switch option on pressure port
- Ductile cast iron body
- Lightweight 2.3 lbs design with small envelope
- Single pressure direct acting relief
- 3 position [Raise-Hold-Lower]
- Direct tank mounting options

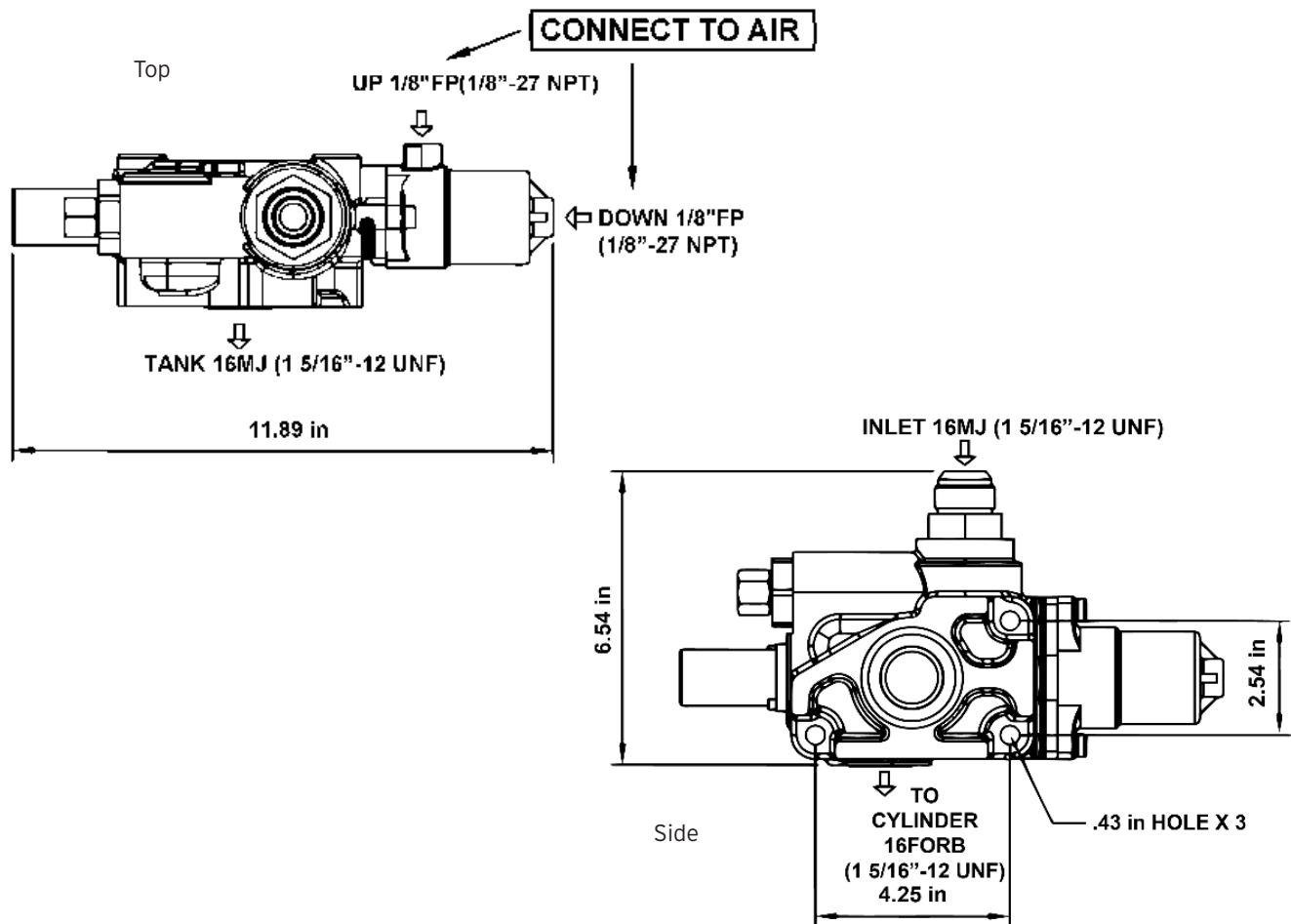


A perfect compliment to
APSCO's AV Series valves

SEE OUR COMPLETE LINE AT APSCOPOWER.COM



TIPPING VALVE



SPECIFICATIONS:

Flow rate: 66 GPM

Max pressure: 3625 PSI

Single pressure model: 2500 PSI

Port size: SAE-16 O-ring

Recommended Filtration: 25-Micron

PART NUMBER:

APT-100 Single Pressure [Raise-Hold-Lower]

SHIFT OPTIONS:

1. AV Air Shift

Markets: Dump truck, Walking floor, Dump trailer, Wetline kits, Combo kits

Sales (918) 622-5600 • Fax (918) 622-5469
Email: sales@apscopower.com

