

AP51

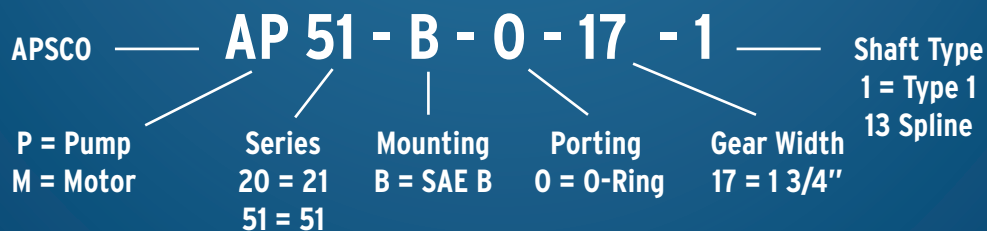
APSCO PERFORMANCE PUMP



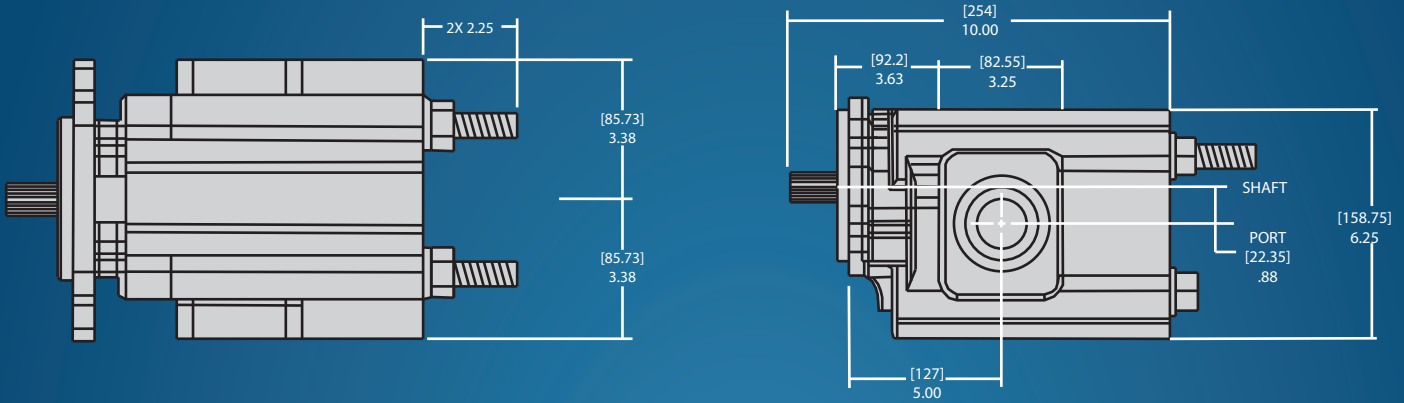
The APSCO AP51 gives the consumer excellent power output due to the the durable high-strength cast iron body. The AP51 also has extreme durability and resistance to fluid contamination due to its unique roller bearings. The pump also has optimized efficiency due to the balanced thrust plates included in the model. In addition, this pump is directly interchangeable with the PGP051.

PUMP SPEED (RPM)	THEORETICAL FLOW (GPM)
900	22.0
1200	30.0
1500	39.0
1800	47.0
2100	55.0
2400	63.5

APSCO PRODUCT PUMP MATRIX



AP51



FEATURES	DESCRIPTION
PUMP TYPE	FIXED
MOUNTING	SAE B 2/4 BOLT
PORTS	SAE O-RING BOSS
SIDE PORTS	1 1/2" (-24 ORB)
REAR PORTS	1 1/4" (-20 ORB)
SHAFT TYPE	SAE "B" SPLINED SHAFT 13 TOOTH, SPLINE .88" DIAMETER
PUMP SPEED	900 TO 2400 RPM
DISPLACEMENT	6.38 CU IN
MAXIMUM OPERATING PRESSURE	2500 PSI
FLUID TEMPERATURE	<ul style="list-style-type: none"> RANGE OF OPERATING TEMPERATURE: -15 TO +80C (5 TO 176F) MAXIMUM OPERATING PRESSURE RELIANT ON FLUID TEMP COLD START TEMP: -20C TO -15C (-4 TO 5F) @ </= 1500 RPM
FLUID VISCOSITY	50-7500 SUS, 7.36-1600 CST
DIRECTION OF ROTATION	BI-ROTATIONAL
MAXIMUM FLOW	63.5 GPM
GEAR WIDTH	2 1/2"
APPROXIMATE WEIGHT	50 LBS (22.5 KG)