

# AM2 SERIES

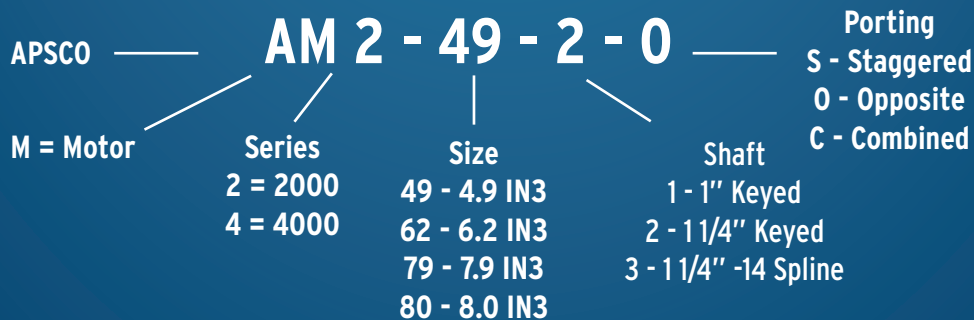
## APSCO PERFORMANCE MOTORS



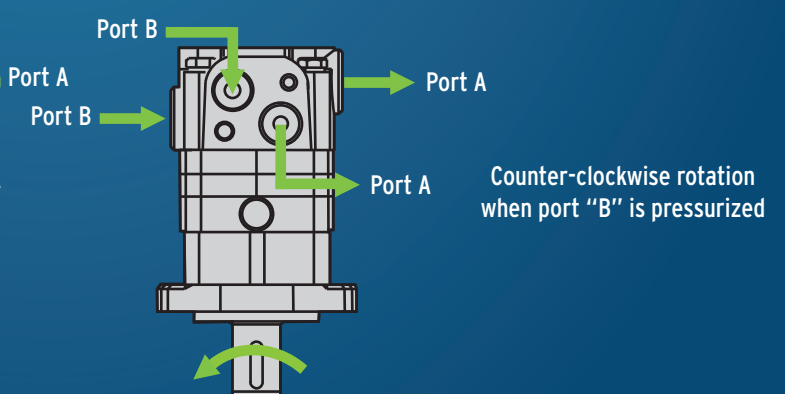
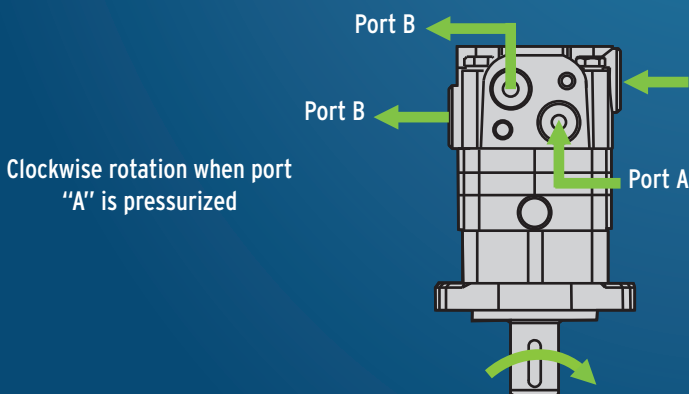
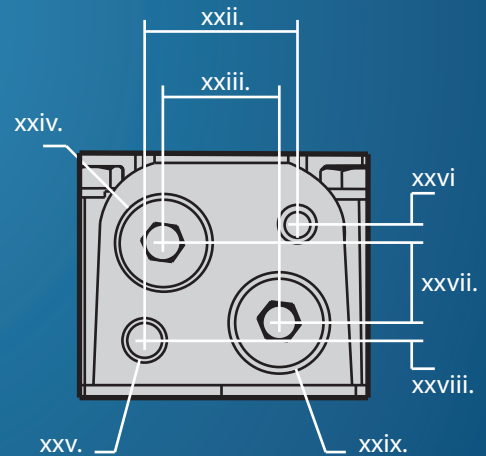
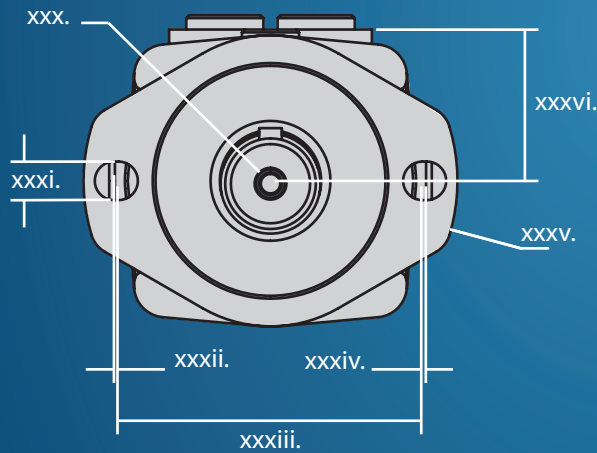
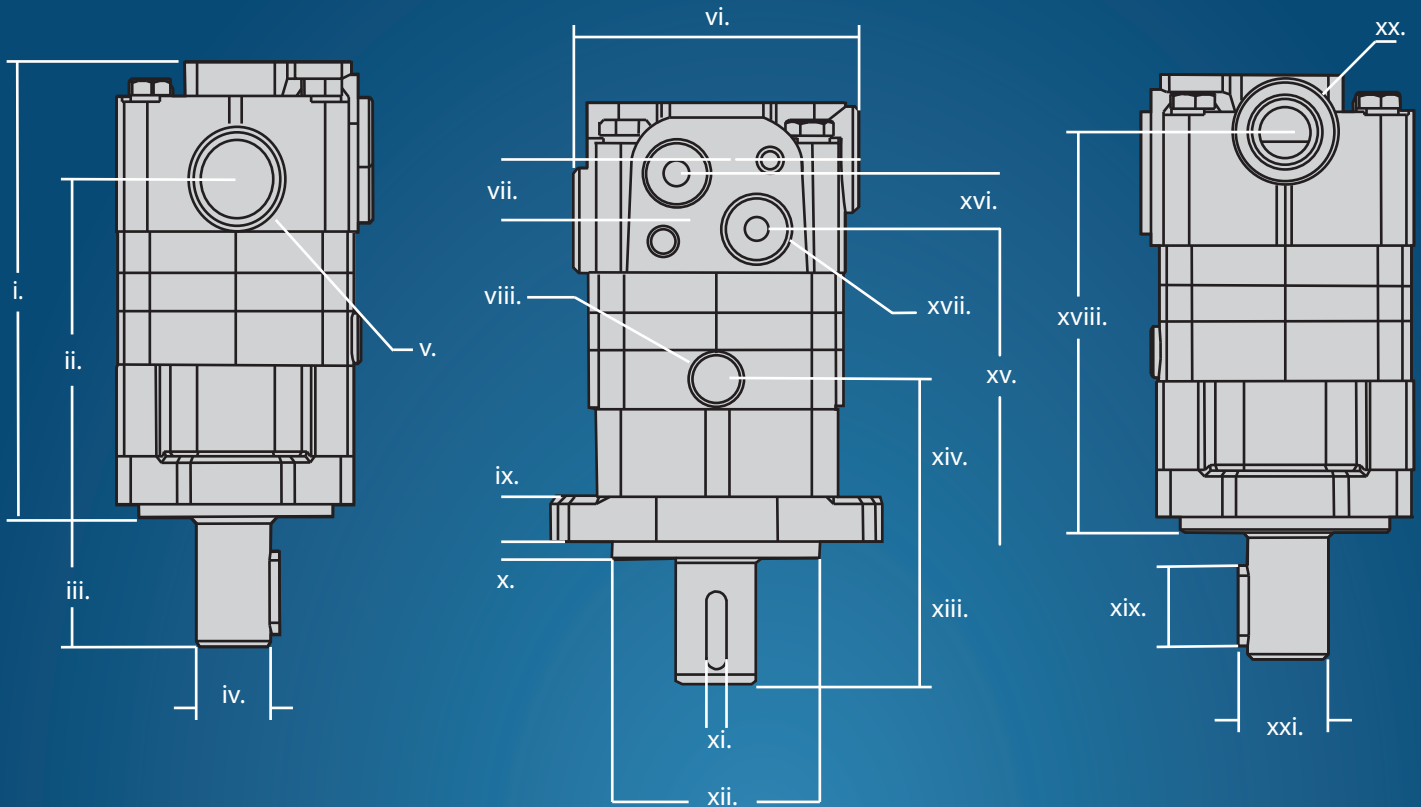
APSCO's hydraulic orbit motor is specifically designed to excel in low-speed, high-torque applications. Engineered with utmost precision, these motors are up to the challenge in food grade, compressed gasses, and auger applications. With its exceptional torque output and reliability our hydraulic orbit motor provides superior performance and optimized efficiency, even under the most demanding conditions. Its heavy-duty design ensures precise control and seamless operation, allowing the user to tackle heavy-duty tasks with ease and precision.

Performance	Design	Durability
<ul style="list-style-type: none"> <li>• High efficiency with low pressure drop</li> <li>• Proven reliability</li> </ul>	<ul style="list-style-type: none"> <li>• Common displacements and shaft configurations in stock</li> <li>• Both staggered and opposite porting for versatility</li> <li>• Compact body</li> </ul>	<ul style="list-style-type: none"> <li>• Heavy duty bearings</li> <li>• 3050 continuous, 3990 intermittent pressure rating</li> <li>• Three zone design for longer life</li> </ul>

### APSCO PRODUCT MOTOR MATRIX



# ADVANCED DESIGN AND PERFORMANCE MOTORS FROM APSCO



Sales (918) 622-5600 • Fax (918) 622-5469

Email: [sales@apscopower.com](mailto:sales@apscopower.com)



# ADVANCED DESIGN AND PERFORMANCE MOTORS FROM APSCO

	AM2-49-2-0	AM2-62-1-0	AM2-62-2-0	AM2-62-3-0
Char Lynn Part #	104-1061, 104-1022	104-1002, 104-1038	104-1062, 104-1023	104-1088, 104-1030
i	7.14	7.26	7.26	7.25
ii	5.311	5.441	5.441	5.44
iii	1.97	1.66	1.97	1.99
iv	1.250, 1.249	1.000, .999	1.250, 1.249	1.250, 1.249
v	1-1/16 - 12UN			
vi	4.45			
vii	.94			
viii	7/16 -20UNF			
ix	.71			
x	.270, .230	.251, .250	.252, 240	.252, .240
xi	.313, .312	.251, .250	.313, .312	N/A
xii	3.250, 3.245			
xiii	2.22	1.91	2.22	2.24
xiv	2.579			
xv	4.92	5.05	5.05	5.05
xvi	.87			
xvii	Port A			
xviii	6.26	6.39	6.39	6.39
xix	1.25	1.00	1.25	N/A
xx	1-1/16 - 12 UN			
xxi	1.390, 1.378	1.111, 1.102	1.390, 1.378	N/A
xxii	1.657, 1.650			
xxiii	1.263, 1.256			
xxiv	Port B			
xxv	2X 3/8 - 16UNC			
xxvi	.20			
xxvii	.87			
xxviii	.20			
xxix	2X 7/8 - 14UNF			
xxx	3/8 - 16UNC			
xxxi	2X .531			
xxxii	.063			
xxxiii	4.200, 4.177	4.200, 4.177	4.200, 4.177	4.19
xxxiv	.063			
xxxv	R 2.58			
xxxvi	2.09	2.13	2.13	2.09

Sales (918) 622-5600 • Fax (918) 622-5469

Email: sales@apscopower.com



# ADVANCED DESIGN AND PERFORMANCE MOTORS FROM APSCO

Type		AM2-49	AM2-62
Displacement		80.5 [4.91]	100 [6.1]
Max Speed [RPM]	CONT.	810	750
	INT.	1000	900
Max Torque daNm [lb-in]	CONT.	24 [2120]	30.5 [2700]
	INT.	31 [2740]	39 [3450]
Max Output [HP]	CONT.	15.5 [20.8]	18 [24.1]
	INT.	19.5 [26.2]	22.5 [30.2]
Max Pressure Drop [psi]	CONT.	210 [3050]	210 [3050]
	INT.	275 [3990]	275 [3990]
	PEAK	295 [4280]	295 [4280]
Max Oil Flow vLPM [GPM]	CONT.	65 [17]	75 [20]
	INT.	80 [21]	90 [24]
Max Inlet Pressure BAR [PSI]	CONT.	230 [3340]	230 [3340]
	INT.	295 [4280]	295 [4280]
	PEAK	300 [4350]	300 [4350]
Max Return Pressure w/ Drain Line BAR [PSI]	CONT.	140 [2030]	140 [2030]
	INT.	175 [2540]	175 [2540]
	PEAK	210 [3050]	210 [3050]
Max Starting Pressure w/ Unloaded Shaft BAR [PSI]		12[175]	10 [145]
Min. Start Torque daNm [lb-in]	@ max press drop CONT	18 [1590]	23 [2040]
	@ max press drop INT	23.5 [2080]	30 [2660]
Min. Speed [RPM]		10	10
Weight, kg [lb] For Rear Ports + 0,40 [.88]		9.9 [21.8]	10.1 [22.2]