



SS140P

PROPANE STABILIZING SYSTEM

The patented SS140P utilizes a small amount of the propane pumping to cool the hydraulic system. This propane is vaporized by the hydraulic oil and then returned into the tank, stabilizing the system. This eliminates the fan motor, producing a smooth and quiet design. In addition, by adding positive head pressure to the pump, we reduce product pump cavitation which increases pump flow rates and reduces maintenance costs.

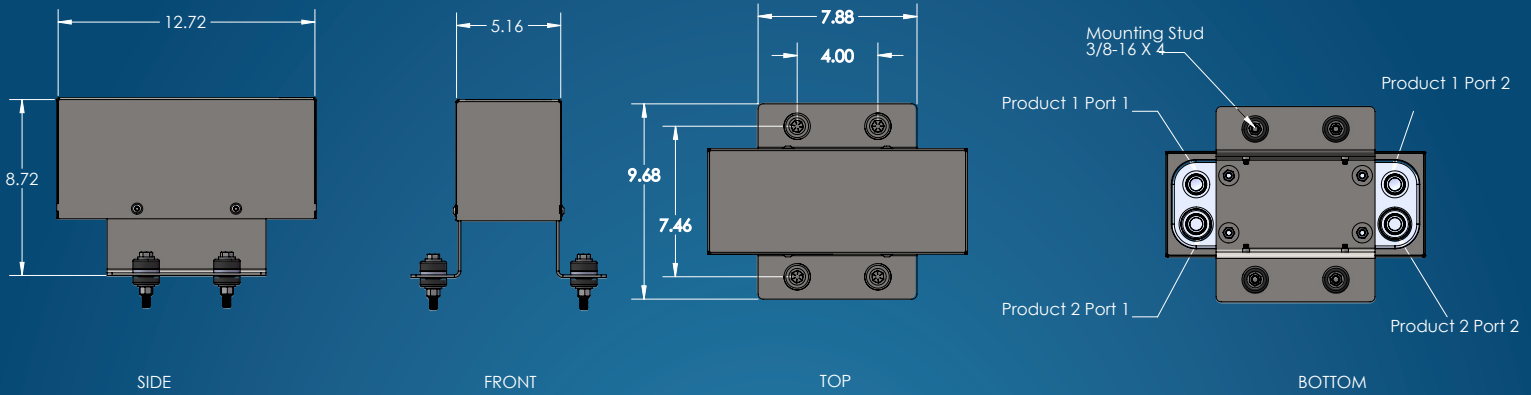


FOR USE ONLY WITH PROPANE BOBTAILS AND TRANSPORTS

INSTALLER MUST HAVE VALID CT LICENSE TO INSTALL APSCO PROPANE SYSTEM PRODUCTS

BETTER PERFORMANCE	COMPACT DESIGN	INCREASED DURABILITY	EASY INSTALLATION
<ul style="list-style-type: none"> Improves propane product pump performance - flow Reduces tendency to vapor lock or cavitate product pump Can be used with hydraulic or mechanical pumping systems UL listed ASME Certified - pressure boundary 	<ul style="list-style-type: none"> 9.7" wide mounting flange Cooling fan is not required Only 12.7" tall Uses < 10" of frame rail space 9.7" wide x 8.7" deep x 12.7" tall 	<ul style="list-style-type: none"> Proven performance since 2004 Corrosion resistant stainless steel construction Low maintenance - no moving parts Industry leading 2 year warranty 	<ul style="list-style-type: none"> Lightweight - 17 LBS. Mount behind-the-cab or on the frame rail NPT port connections

SS140P APSCO & STAC PROPANE STABILIZING SPECIFICATIONS



FOR USE ONLY WITH PROPANE BOBTAILS AND TRANSPORTS

INSTALLER MUST HAVE VALID CT LICENSE TO INSTALL APSCO PROPANE SYSTEM PRODUCTS

* FITTINGS NOT INCLUDED. SEE ACCESSORIES LIST FOR AVAILABLE FITTINGS

Model	Pressure (PSI)	Weight (LBS)
SS 140P	435	17

Slimline or Box	Slimline
Product Ports	3/4 NPT (Female)
Fan	Not Required
Basic Dimensions (L x W x H)	8.7 x 9.7 x 12.7"
Finish	Stainless Steel
Weight	17 LBS dry
Warranty	2 years

NOTICE

PURCHASER/INSTALLER before proceeding be sure to check the following:

- 1) Do you have a valid CT License? Proceed no further unless you have supplied APSCO with a copy of your CT License.
- 2) This system must be installed and operated in accordance with all DOT regulations and according to the instructions contained inside this manual.
- 3) **PURCHASER/INSTALLER** must have adequate training on how to operate this system.
- 4) Failure to follow these instructions will void any product warranty and subject the **PURCHASER/INSTALLER** to any and all potential liabilities associated with this product and/or its use.

We have been designing Thermaflow™ hydraulic systems since 1989! We'll design a hydraulic drive to fit your application. Besides the Model SS140P, we offer a number of other models that can fit higher horsepower applications or custom design a cooling system to your needs.

FOOD GRADE - CHEMICAL - COMPRESSED GAS - CRUDE OIL - VACUUM PUMPS - COMBO DRIVES

SEE OUR COMPLETE LINE AT APSCOPOWER.COM

