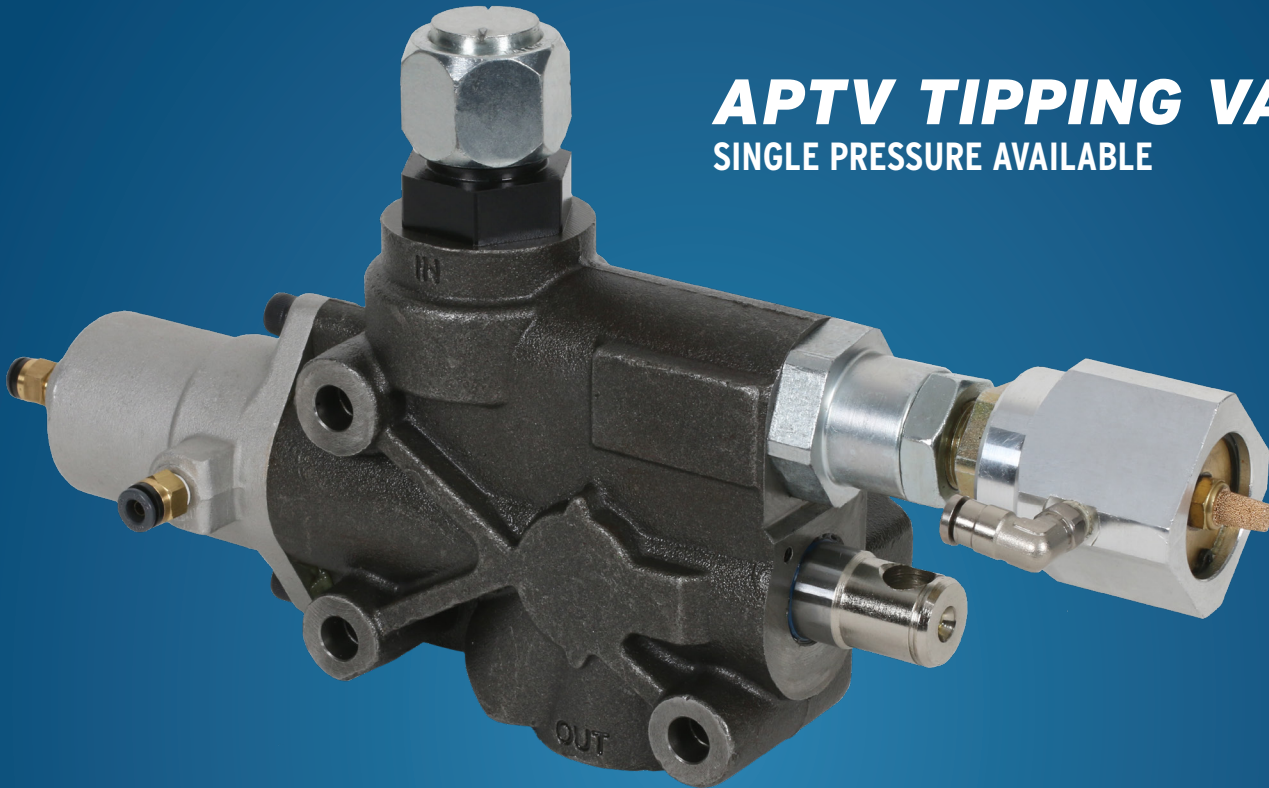


TIPPING VALVE

APT_V TIPPING VALVE

SINGLE PRESSURE AVAILABLE



APT_V-100 Single Pressure [Raise-Hold-Lower]

FEATURES:

- Metering actuator
- Built in load check
- 1/8" NPT gauge port or indicator switch option on pressure port
- Ductile cast iron body
- Lightweight 2.3 lbs design with small envelope
- Single pressure direct acting relief
- 3 position [Raise-Hold-Lower]
- Direct tank mounting options

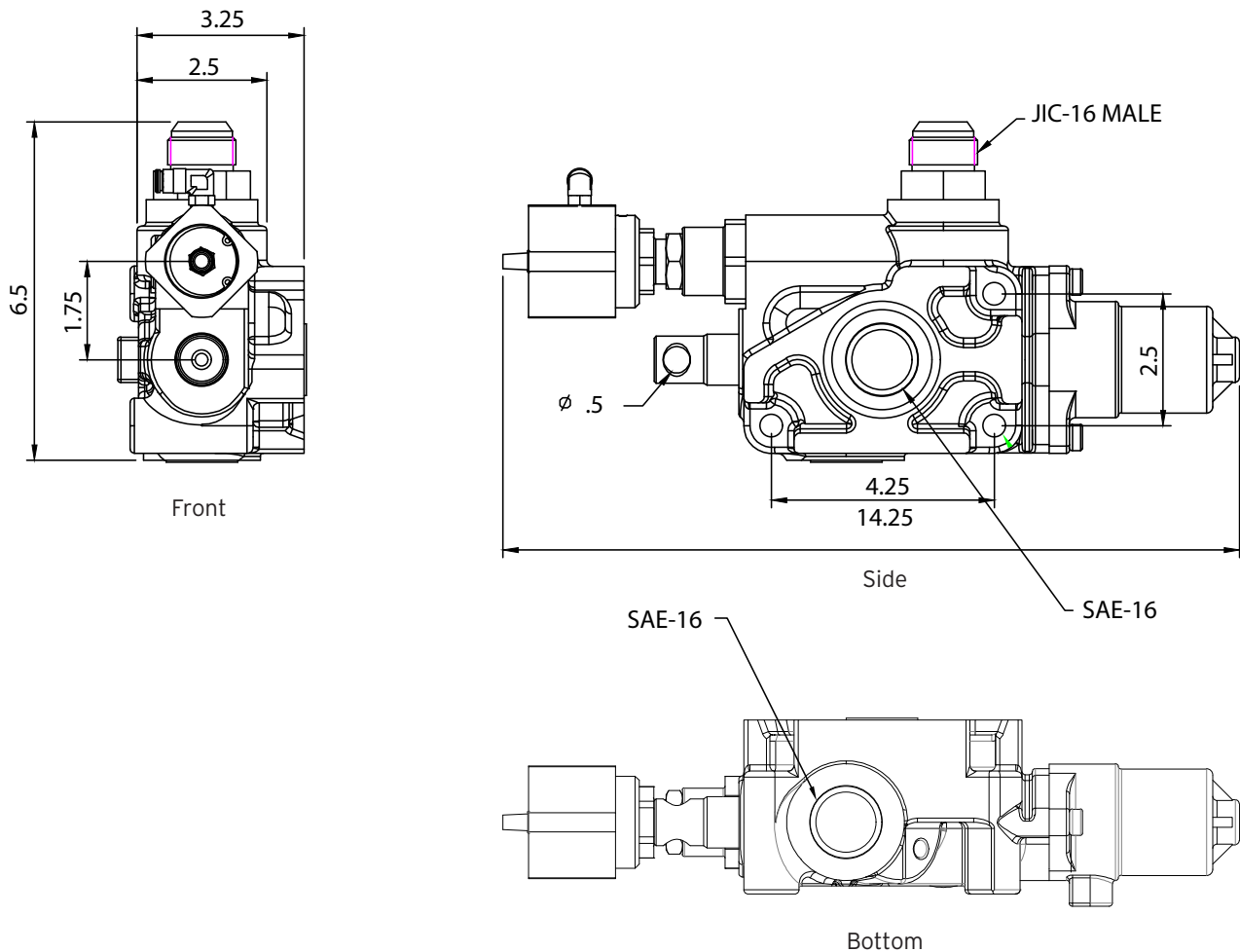


A perfect compliment to
APSCO's VM and AV Series valves

SEE OUR COMPLETE LINE AT APSCOPOWER.COM



TIPPING VALVE



SPECIFICATIONS:

Flow rate: 66 GPM

Max pressure: 3625 psi

Single pressure model: 2500 psi

Port size: SAE-16 O-ring

Recommended Filtration: 25 Micron

PART NUMBER:

APTV-100 Single Pressure [Raise-Hold-Lower]

SHIFT OPTIONS:

1. Metering air shift
2. Cable shift

Markets: Dump truck, Walking floor, Dump trailer, Wetline kits, Combo kits