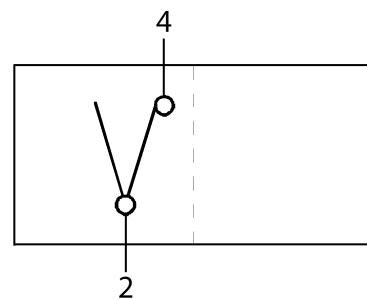
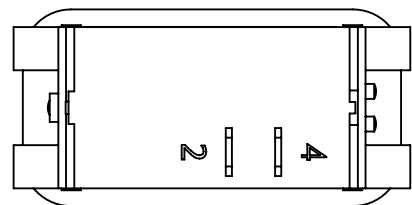
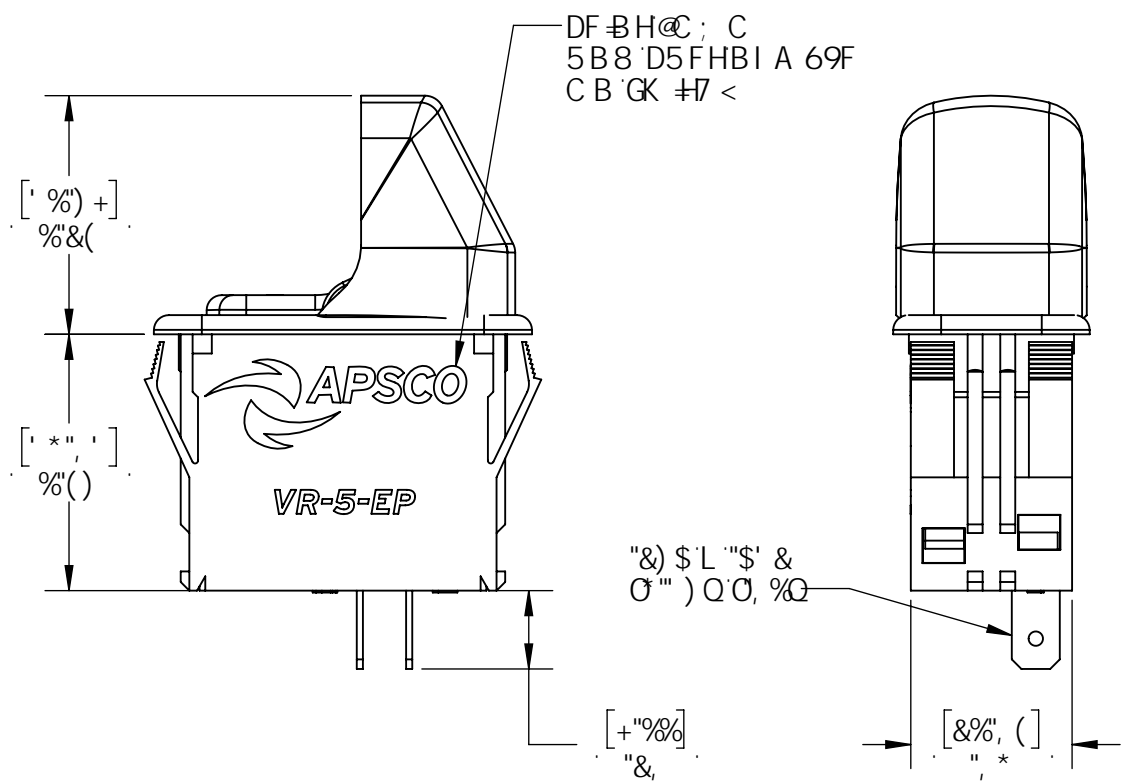
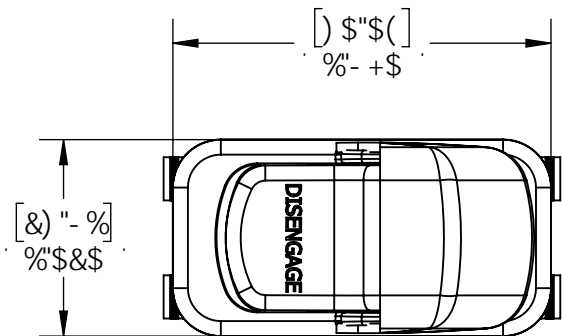


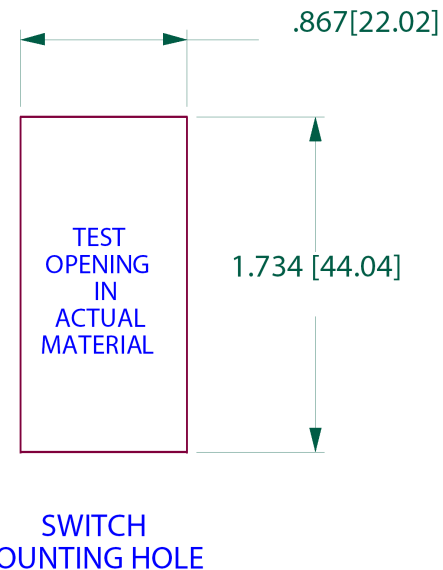
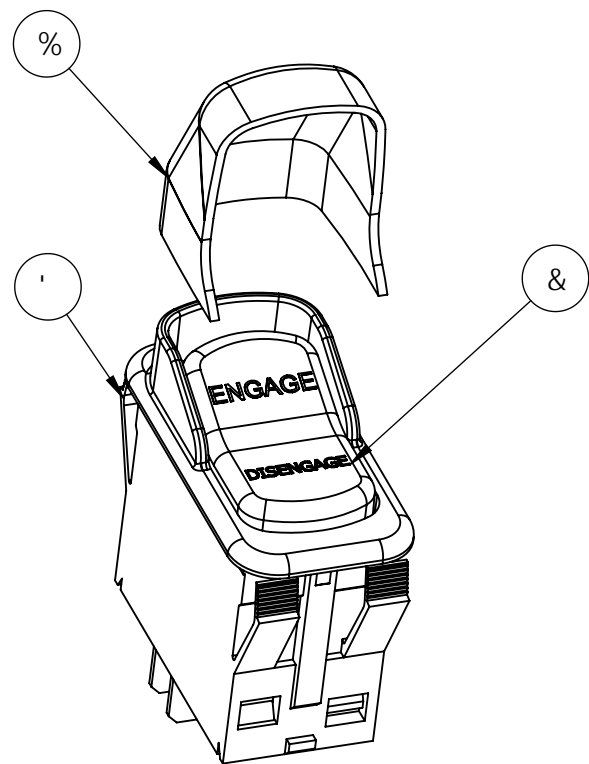
BC H9Gfl B @9GC H: 9FK 69GD97 ÷ 98L  
 %'6F95? '5@@G<5FD'98; 9G  
 &'F9A C J 9'5@6I FFG: C F'G5: 9'<5B8@B;



CIRCUIT DIAGRAM

**F9J 6CBG**

97F	F9J 6CB	89G7 F-DHC B	7<5B: 98'6M	85H9	5DDFC J 98'6M
9B;	%	B9K F9@95G9	76	(#/% #&\$&\$)	FH



#9A 'BC "	D5FHBI A 69F	89G7 F-DHC B	E HM
%	, (-)	GK #7 <; I 5F8	%
&	(( ))	GK #7 <'7 C J 9F '9B; 5; 9#8-69B; 5; 9	%
'	((%)	GK #7 <'FC 7?9F '9@97 HF 7	%

**DFCDF 9H5FM5B8 '7CB: 89BH5 @**  
 VP O A Q U T C V P I A O U P V C P O O A P W I O U C Y Q O A W P O A  
 U U S O A U U U O U V Y A U O 5 DG7 C b W A E P Y A U O U U O W O N W P A C A  
 U C E V A U A E A Z Y P U S O A Q P U W A Y U Q V O P A U O U T Q U W P A U A  
 5 DG7 C b W A U A U U P Q Q O O E

HMD9C: DFC >97 HCB		A 5H9F5@	B#5
8F5K B	85H9		
76	(#/% #&\$&\$)		
7<97?98	85H9	:B G<	
86	(#/% #&\$&\$)		
5DDFC J 98	85H9		B#5
?H	(#/% #&\$&\$)		
:B5@	85H9		
FH	(#/% #&\$&\$)		



H#09. GK #7 <'9@97 HF 7 'DHC 'K #'  
 ; I 5F8

I B @9GC H: 9FK 69GD97 ÷ 98  
 8 A 9B G C B G 5 F 9 ' B ' B 7 < 9G  
 H C @ F 5 B 7 9 G 5 F 9.

897 A 5@G G F: 579: B 6<.'\*  
 "L'1 ±"\$\* 5B: @G ± "&  
 "LL'1 ±"\$\* <C @G ± "\$\$)  
 "LLL'1 ±"\$% <C @G @C 7 5 H C B ± "\$\$)

8 C B C H G 7 5 @ 8 F 5 K B;

#B. J F!)!9D

G<99HGAP	G7 5@	F9J 6CB
Ó	FK	%

G<H'%C: %