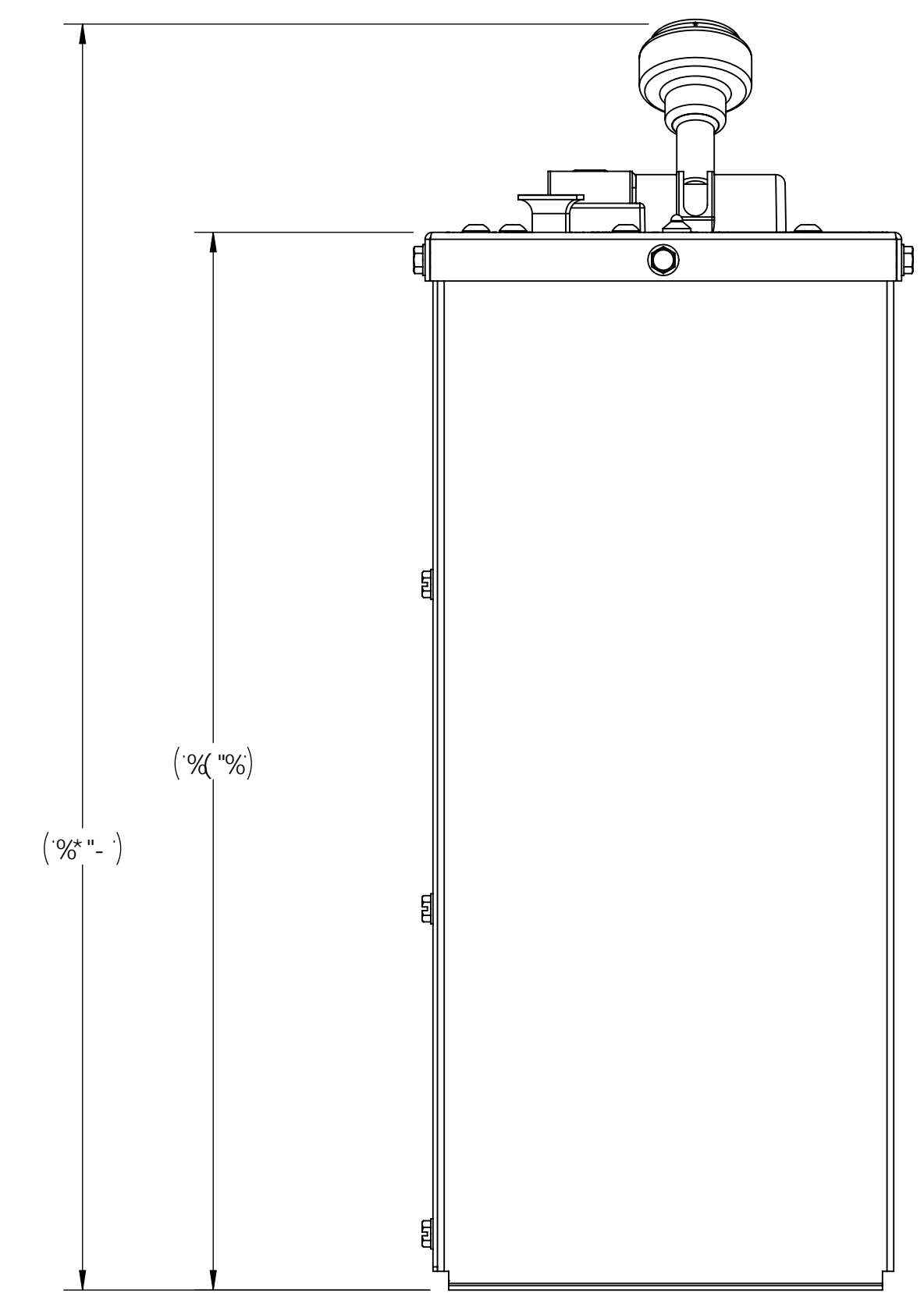
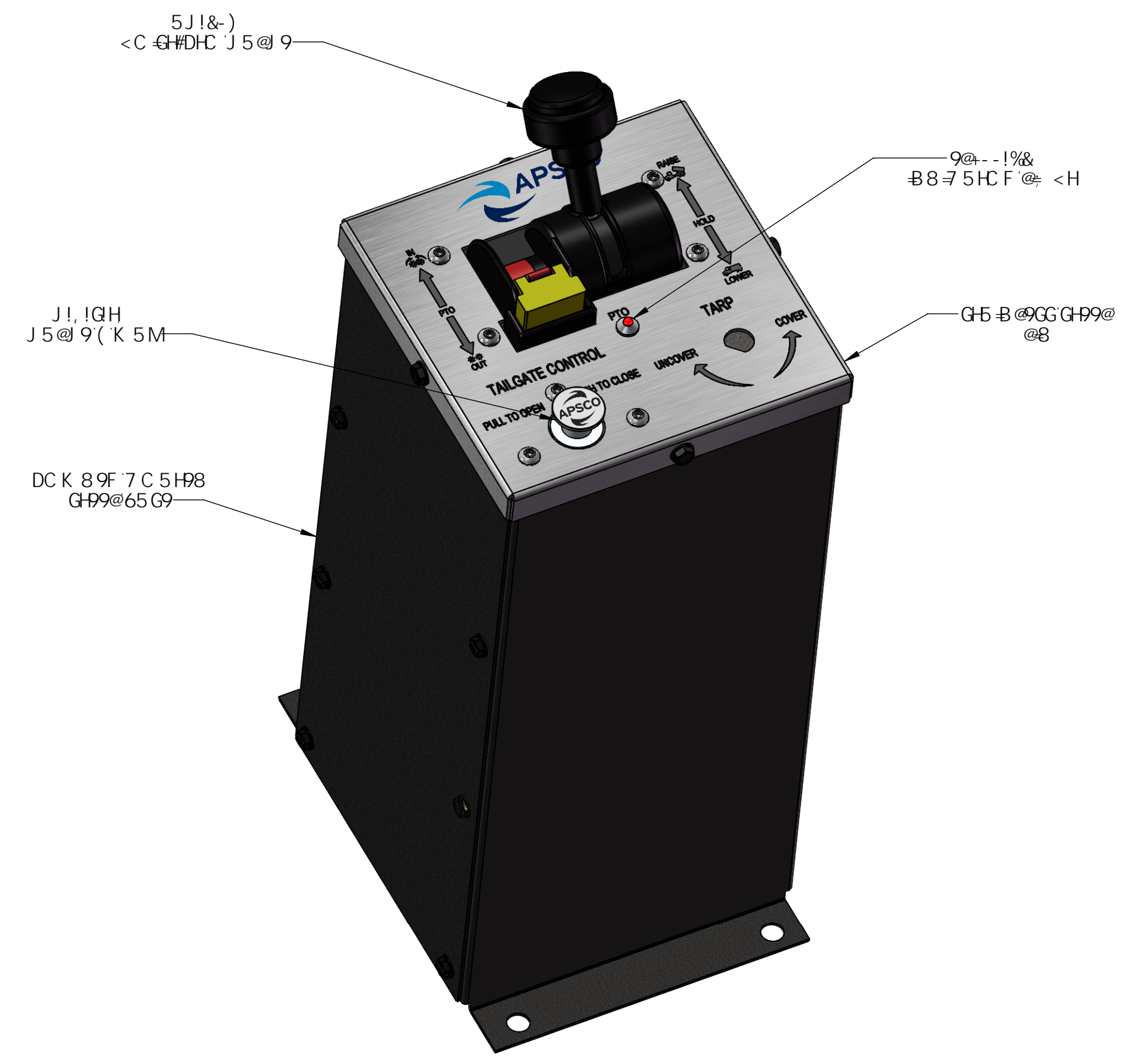
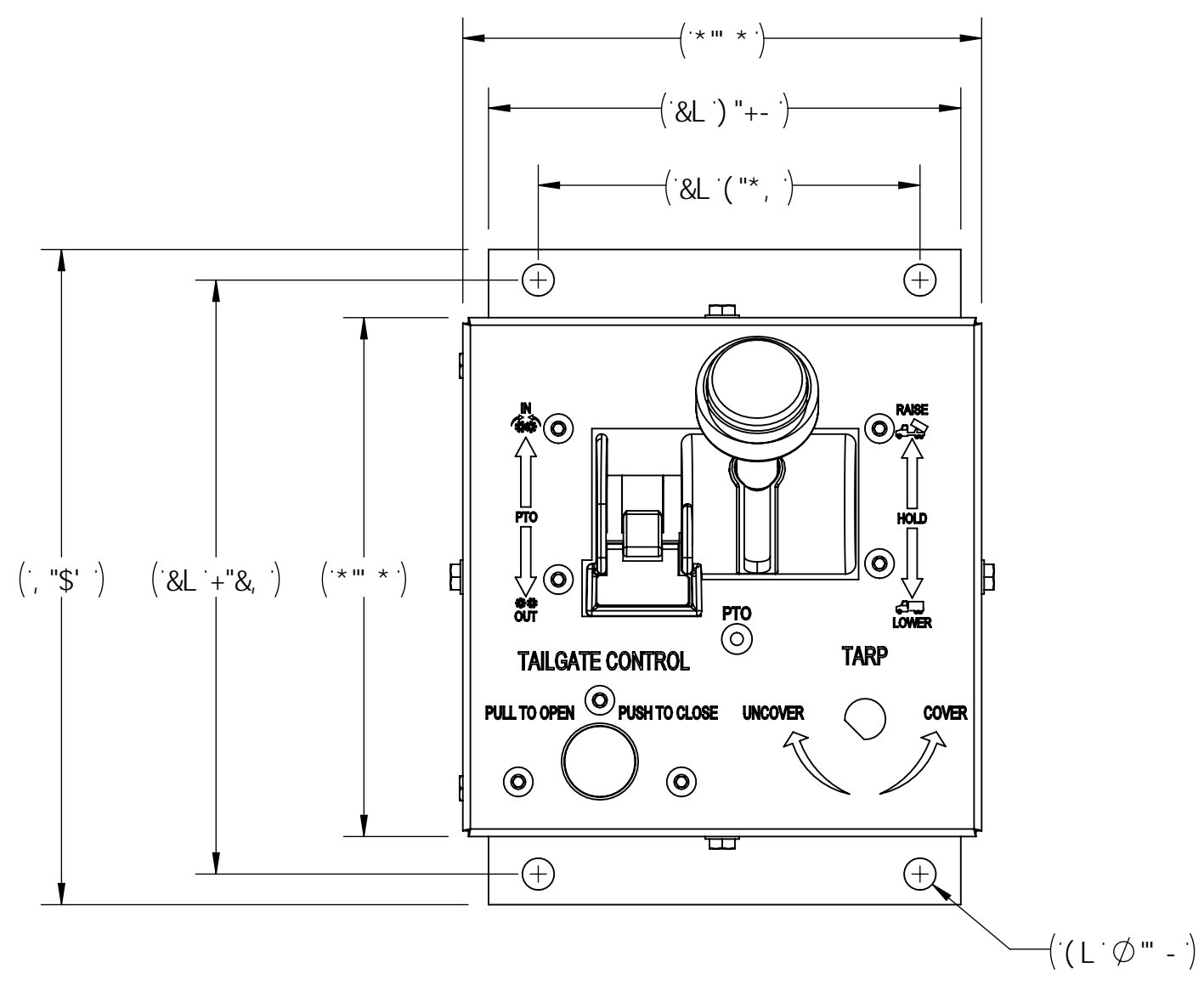
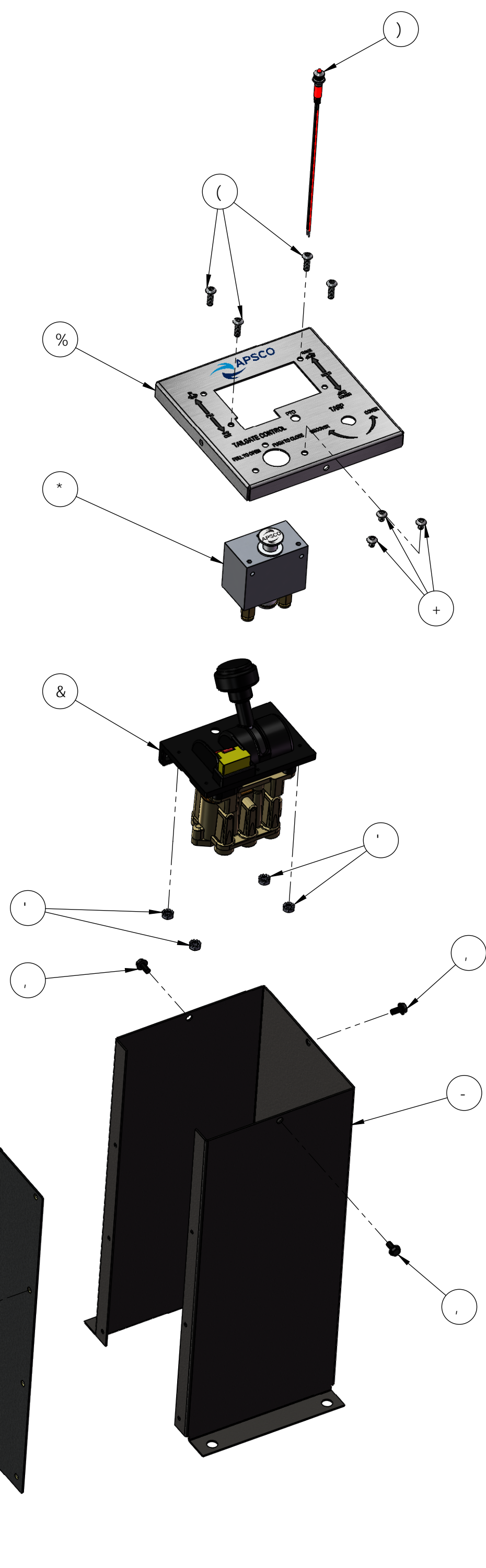


F9J GCBG					
97 F	F9J GCB	89G7 F4HC B	7 <5B: 98 6M	85H9	5DDFCJ 98 6M
') ()	7	F9A C J 98 (() ,	>7	%	@/#&\$%+	: <



DFCDF 9H5 FM5 B8 7 CB: 89BH5 @ <small>V P O A Q U T C E W P A U P V C E O O A P Q U C E Y Q Q W A P O A U U S O A U U U O U V Y A U O S D G 7 C H W A C B Y A U O U U O W O N W P A A U C E U A U A E J A Y P U S O A Q P U W A Y U Q V O P A U O U T W U P A U O A 5 D G 7 C H W A U U P Q Q O E</small>			
HM9C: DFC >97 HC B <small>H: # 8 5 B: @9 DFC >97 HC B</small>		<small>A 5HF 5@</small> B #5	
<small>8F5K B</small> : D	<small>85H9</small> \$' # \$#&\$%+	<small>HH99</small> 7 C BGC @9 5J!&-) #J!, IH	
<small>7 <97 798</small> >7	<small>85H9</small> \$' # \$#&\$%+	<small>8K ; "BC"</small> 7 C B J ! 5 D G ! +	
<small>5DDFC J 98</small> : <	<small>85H9</small> \$' # \$#&\$%+	<small>5CG9A 6@MHC @9F5B79</small> <small>8C B CHG7 5@9 8F5K B:</small> 5D9B\$\$\$	
<small>: 85@</small> : <	<small>85H9</small> \$' # \$#&\$%+	<small>G< 99HG#9</small> Ô	<small>G7 5 @</small> FIG
		<small>F9J GCB</small> 7	<small>#B: 7 C B J 15 D G + ! @H</small> <small>G<H %C : '</small>




F9J GCBG					
97 F	F9J GCB	89G7 F-DHC B	7<5B: 98 6M	85HP	5DDFCJ 98 6M
') ()	7	F9A C J 98 (() ,	>7	%&#%@#&\$%+	: <

#PA 'BC "	D5FHBI A 69F	89G7 F-DHC B	E HM
%	*+\$&	@8Z7 CBJ!5DG+	%
&	5J!&-)!@	<C -G#DHC 'J 5@5DGF9; ' @GG'D@H	%
'	(' %	BI H%\$!' &B: ' <9L '9DG	(
() + ,	7 5 DG%\$!' &L '* ' 6< 'GG	(
)	9@- -!%&'	@ <H@98 'F98	%
*	J 7!, IGH	7 C BGC @J 5@ 9f('K 5M:HC DA H	%
+	(- %	7 5 DG%\$!' &L '%('6< 'GG	'
,	((- &	7 5 DG%\$!' &L ' #, '<<	(
-	(* ((!D	7 C BGC @'65G9*" %L '* "&L '%	%
%\$	(* ()	D5B 9@: FC BH: C F '65G9' (* ((!D	%
%%	(())'	G7 F9K '%\$' L ' #, ' '<< 'G9@ 'H5 DD-B;	%
%&	7 C B?!&	? #Z7 C BGC @D5B 9@G7 F9K G	%

DFCDF-9H5FM5B8 7CB: -89BH5 @
VPO@OUUT CEWP/OU+VCE@OAP/OUCEY @QW/POA
 UU S0AUUUOUUVYAU@% DG7 C -W@CB-YAUUUUOWONWPA-A
 UCEVAUUA@EJAY PUSOAY @PUWVA' UQVOP-AIOUT WUWP/UA@A
 5DG7 C -W@WUAUUP@QOCE

HM9C: DFC>97 HCB A 5HF 5@
H: #B 5B: @9DFC >97 HC B

8F5K B	85HP	B #5
: D	\$' # \$#&\$%+	
7<97 798	85HP	B #5
>7	\$' # \$#&\$%+	
5DDFCJ 98	85HP	B #5
: <	\$' # \$#&\$%+	
: 85@	85HP	B #5
: <	\$' # \$#&\$%+	



%, '95 GH((H< 'GHF99H
 HI @5ZC?'+(%)
 ft % L* &@) *\$\$

HH@9: 7 C BGC @'5J!&-) #J!, !H

8K ; "BC" 7 C B J ! 5 D G ! +

5CG9A 6@MHC @F5B79 G<99HC@9 G7 5 @ F9J GCB
 8C B CHG7 5 @ 8F5K B:
 5D9B\$\$\$ **Ô** **gK** **7**

: #B: 7 C B J ! 5 D G ! + @H G<H' & C: "

