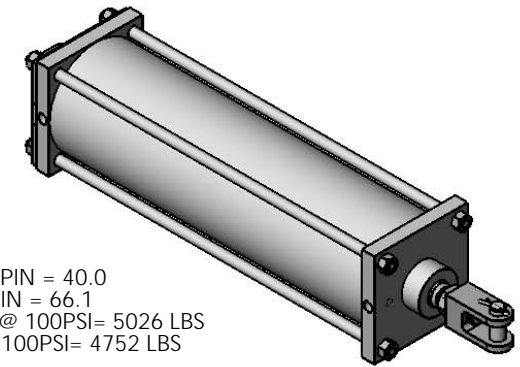
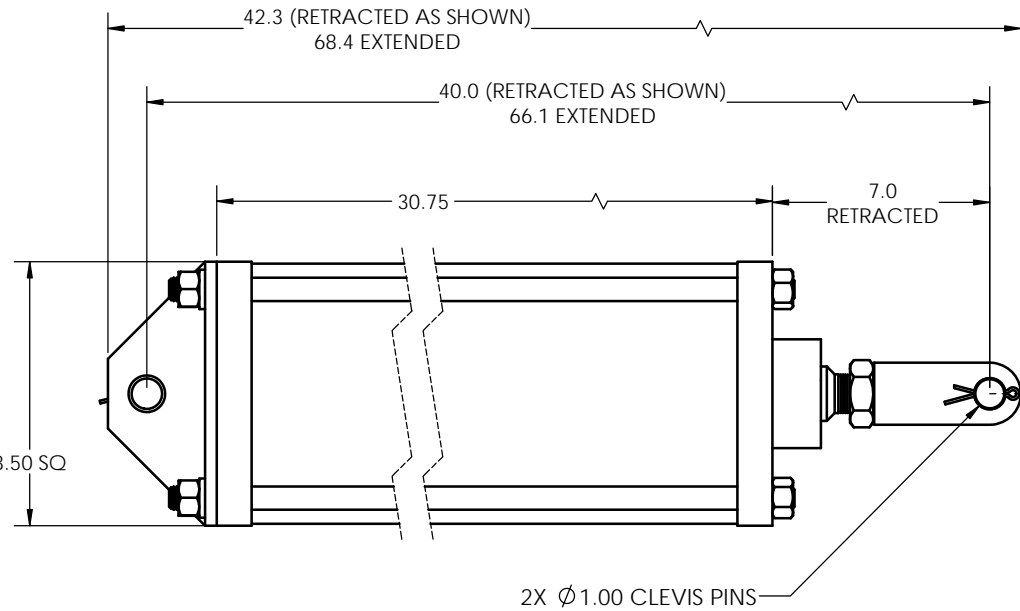
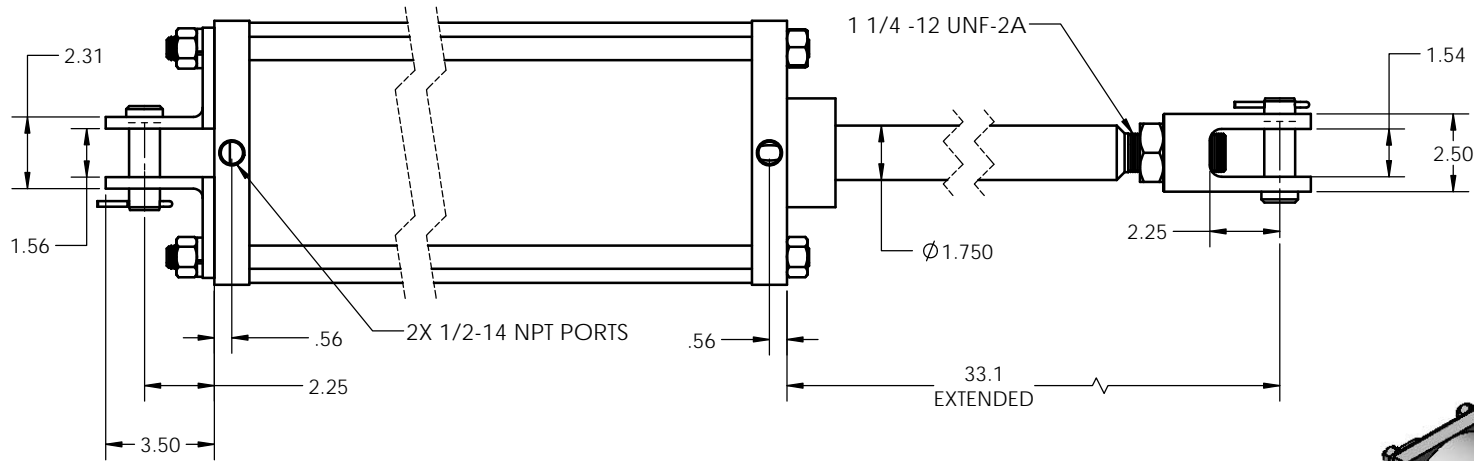


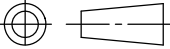

REVISIONS				
ECR	REV.	DESCRIPTION	DATE	APPROVED
E2084	-	See Sheet1	04/10/2013	JUMPER



NOTES:

BORE = $\varnothing 8.0$
 STROKE = 26.1
 RETRACTED PIN TO PIN = 40.0
 EXTENDED PIN TO PIN = 66.1
 EXTENSION FORCE @ 100PSI= 5026 LBS
 RETRACT FORCE @ 100PSI= 4752 LBS

PORTS ON TOP

TYPE OF PROJECTION  THIRD ANGLE PROJECTION	DO NOT SCALE DRAWING UNLESS OTHERWISE SPECIFIED DIMENSIONS ARE IN INCHES TOLERANCES ARE: DECIMALS X = ± 0.03 XX = ± 0.10 XXX = ± 0.005 FRACTION = ± 0.015 ANGLES = $\pm 1/2^\circ$	 8178 EAST 44TH STREET TULSA, OK 74145	
		TITLE: CYL 8 X 26 DA 20 BR	
PROPRIETARY AND CONFIDENTIAL THE INFORMATION CONTAINED IN THIS DRAWING IS THE SOLE PROPERTY OF APSCO Inc.. ANY REPRODUCTION IN PART OR AS A WHOLE WITHOUT WRITTEN PERMISSION OF APSCO Inc. IS PROHIBITED.	SURFACE TEXTURE OR BETTER MATERIAL N/A	DWG. NO. C-9802-PK	
	FINISH N/A	SIZE B	DRAWN JUMPER
F/N: C-9000 SERIES MASTER			REV - CLASS SHT. 2 OF 2