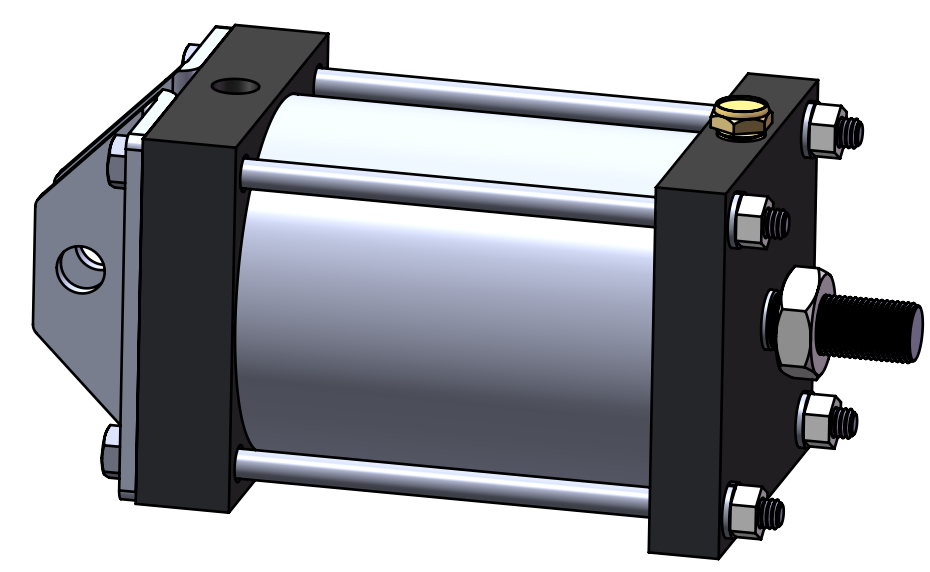
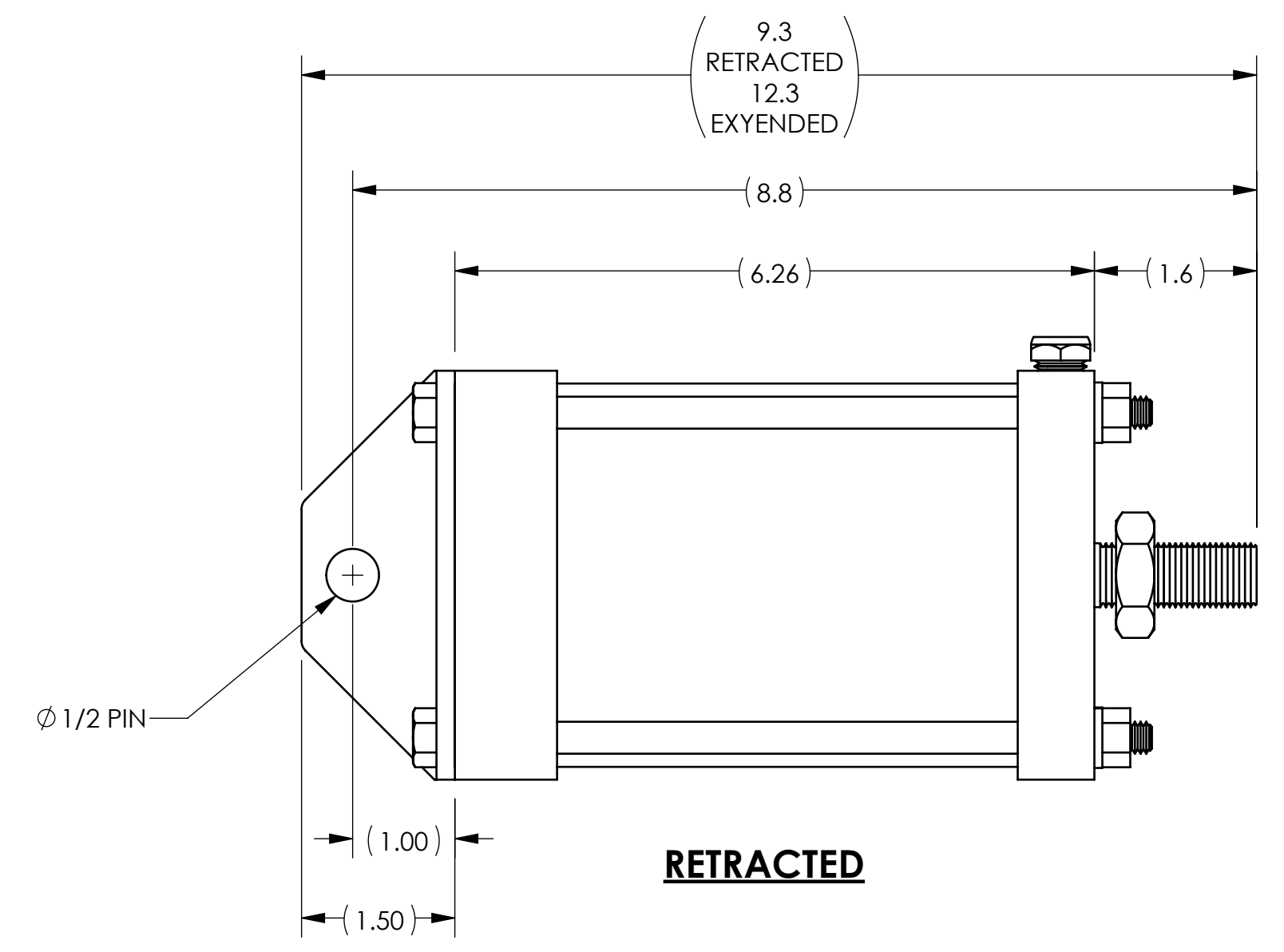
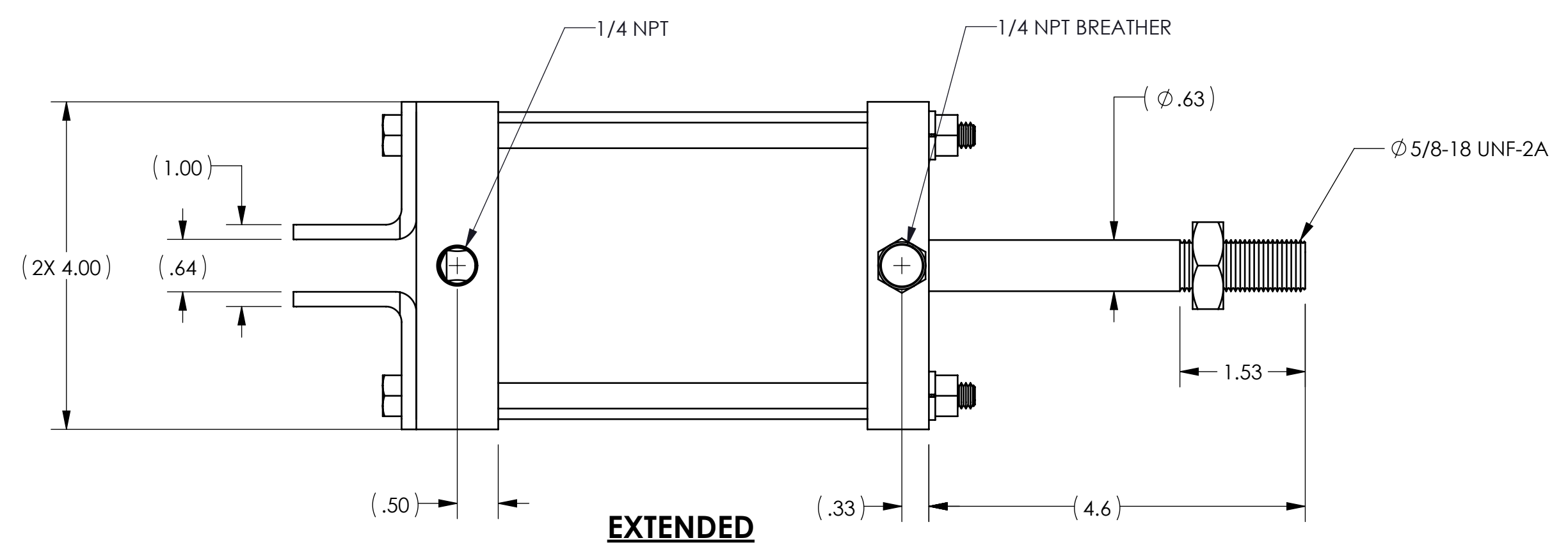


REVISIONS					
ECR	REVISION	DESCRIPTION	CHANGED BY	DATE	APPROVED BY
3801	A	NEW RELEASE	RR	3/31/2020	RT



PROPRIETARY AND CONFIDENTIAL
 THE INFORMATION CONTAINED IN THIS DRAWING IS THE SOLE PROPERTY OF APSCO Inc.. ANY REPRODUCTION IN PART OR AS A WHOLE WITHOUT WRITTEN PERMISSION OF APSCO Inc. IS PROHIBITED.

TYPE OF PROJECTION		MATERIAL
 THIRD ANGLE PROJECTION		N/A
DRAWN	DATE	FINISH
RR	3/31/2020	
CHECKED	DATE	
KT	3/31/2020	
APPROVED	DATE	
RT	3/31/2020	N/A
FINAL	DATE	
RT	3/31/2020	

APSCO
 8178 EAST 44TH STREET
 TULSA, OK 74145
 (918) 622-5600

TITLE: **CYL 3.5 X 3 SR 10 BR**

UNLESS OTHERWISE SPECIFIED DIMENSIONS ARE IN INCHES TOLERANCES ARE:		DWG. NO.	
DECIMALS	SURFACE FINISH: 63	C-6203-SR	
.X = ±.06	ANGLES ± 2°	SHEET SIZE	SCALE
.XX = ±.03	HOLES ± .005	C	2:3
.XXX = ±.010	HOLES LOCATION ± .005	REVISION	A
DO NOT SCALE DRAWING		SHT. 2 OF 2	

F/N: C-6203-SR