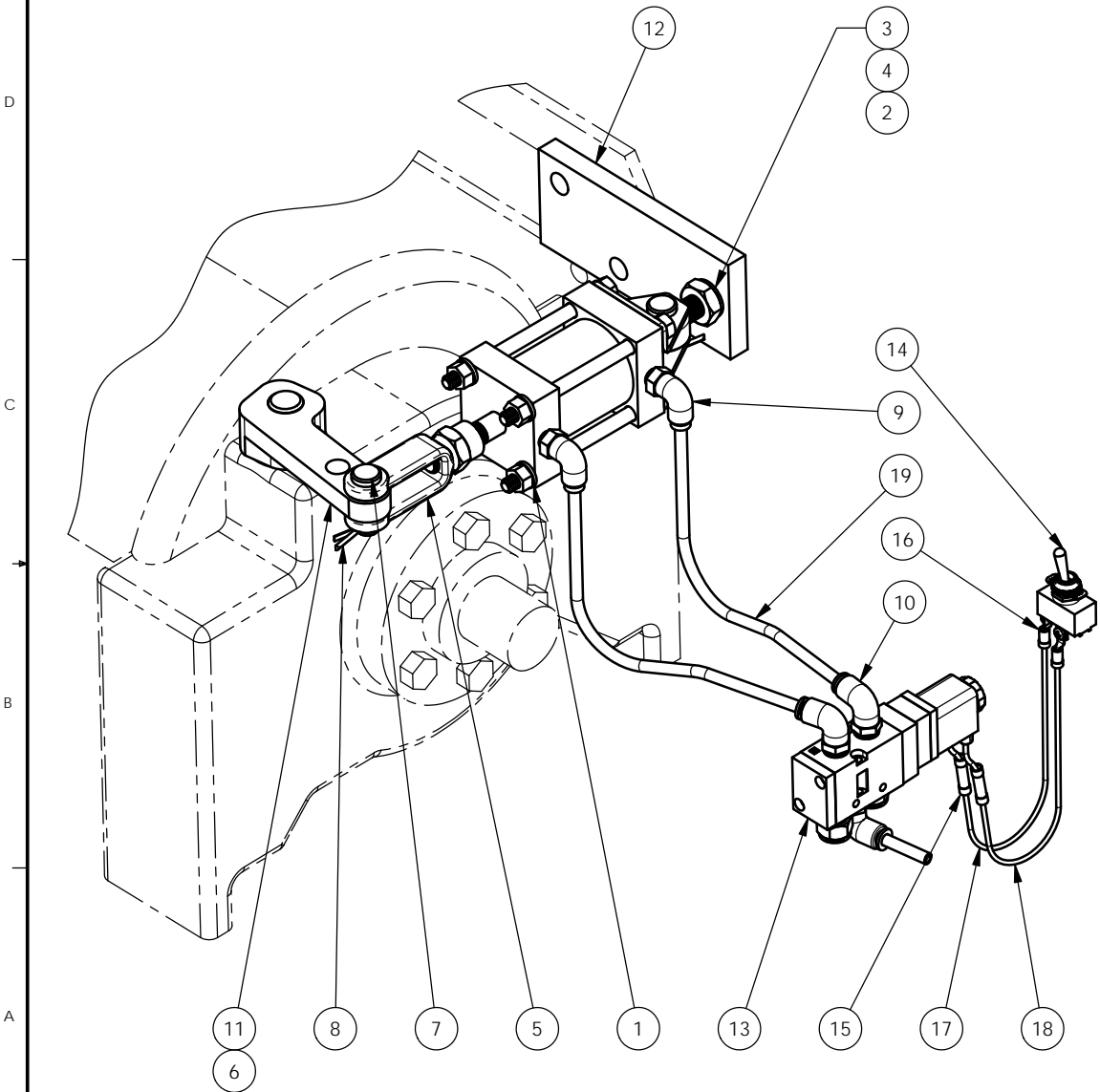
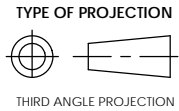


8 7 6 5 4 3 2 1

REVISIONS				
ECR	REV.	DESCRIPTION	DATE	CHG BY
E2352	A	REMOVED 4426 AND 1707-15, ADDED 1707-30 AND CORRECTED QTY AND BALLOONS	11/21/2013	JUMPER



ITEM NO.	PART NUMBER	DESCRIPTION	QTY.
1	C-4318-SR	CYL 1.75 X 1 SR 8 BR	1
2-19	BWBR-PD18C	BRACKET KIT, PD18C	1 KIT
2	1209	ROD END 1/2" PLTD	1
3	1210	WASHER--FLAT ALUM 1/2 X 7/8 OD	1
4	1211	NUT 1/2-20 NF HEX JAM	1
5	1201	CLEVIS 1/2-20, 1/2 PIN, 3.0	1
6	1120	PIN-ROLL 1/4 X 1-1/4	1
7	1202	CLEVIS PIN, 1/2 x 1-3/8 LG 1.140 EL	2
8	2357	COTTER PIN 1/8 X 1 PLATED	2
9	3760	FITTING QC 1/4 TUBE 1/8 NPT EB	2
10	3761	FITTING QC 1/4 TUBE 1/4 NPT EB	3
11	4996	BRACKET PIVOT PD18C	1
12	4997	BRACKET PD18C	1
13	VE-2	4 WAY, 1/4 NPT 12V SOLENOID	1
14	1843	ELECTRIC SWITCH	1
15	4917	CONNECTOR 16-14 AWG BUTT BLUE	2
16	4314	CONNECTOR 22-18 AWG FORK RED INSULATED	2
17	4915	RED 16 GAGE WIRE	15 FT
18	4916	BLACK 16 GAGE WIRE	15 FT
19	1707-30	TUBE 1/4 DOT BLACK 30' ROLL	1



PROPRIETARY AND CONFIDENTIAL
 THE INFORMATION CONTAINED IN THIS DRAWING IS THE SOLE PROPERTY OF APSCO Inc.. ANY REPRODUCTION IN PART OR AS A WHOLE WITHOUT WRITTEN PERMISSION OF APSCO Inc. IS PROHIBITED.

DO NOT SCALE DRAWING
 UNLESS OTHERWISE SPECIFIED DIMENSIONS ARE IN INCHES
 TOLERANCES ARE:
 DECIMALS
 .X = ±.03
 .XX = ±.010
 .XXX = ±.005
 FRACTION = ±.015
 ANGLES = ±1/2°

SURFACE TEXTURE OR BETTER
 MATERIAL N/A
 FINISH N/A



TITLE: CONTROL KIT ELECTRIC PD18C			
DWG. NO. WBR-PD18C		REV A	
SIZE B	DRAWN JUMPER	DATE 12/05/2012	CLASS
F/N: WBR-PD18C			SHT. 1 OF 1

8 7 6 5 4 3 2 1