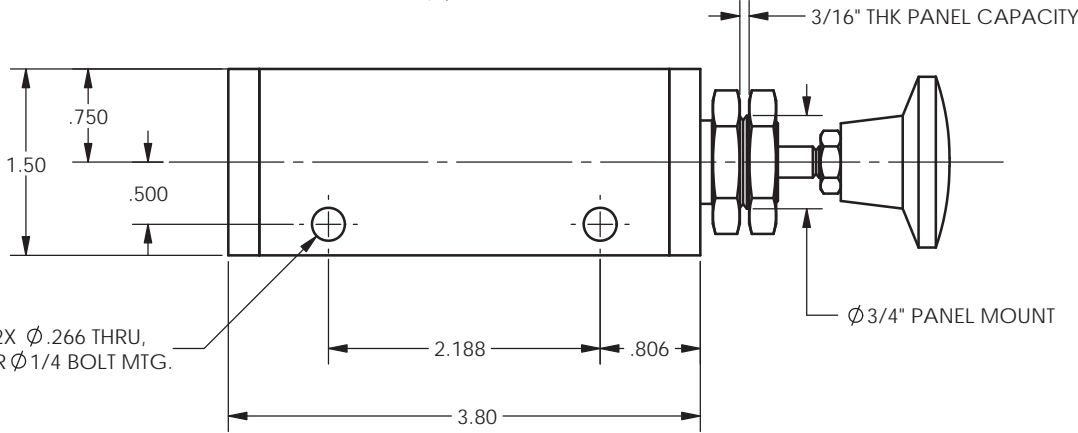
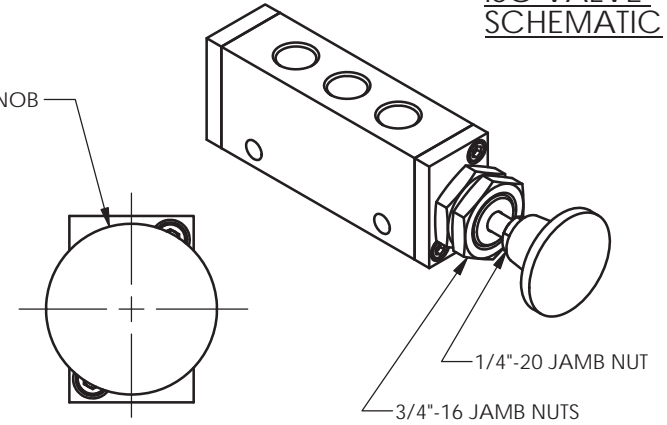
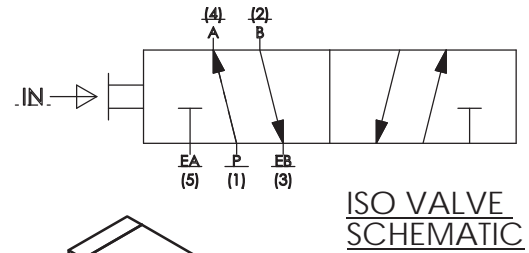
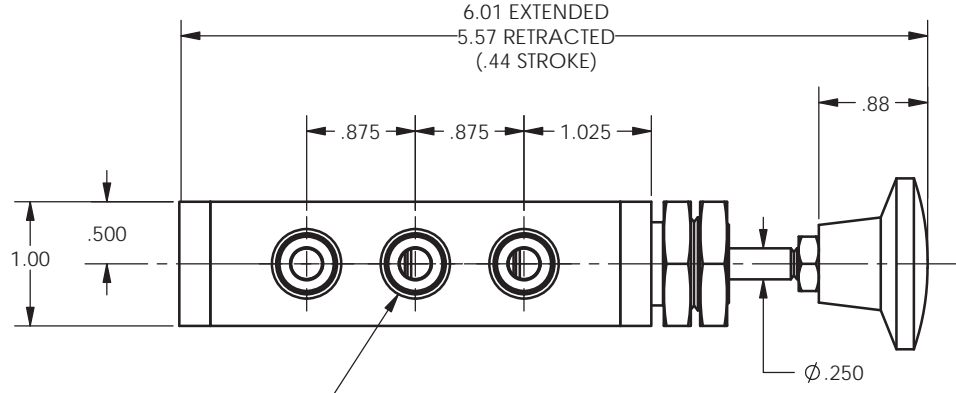


8 7 6 5 4 3 2 1

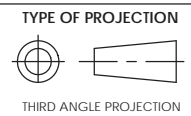
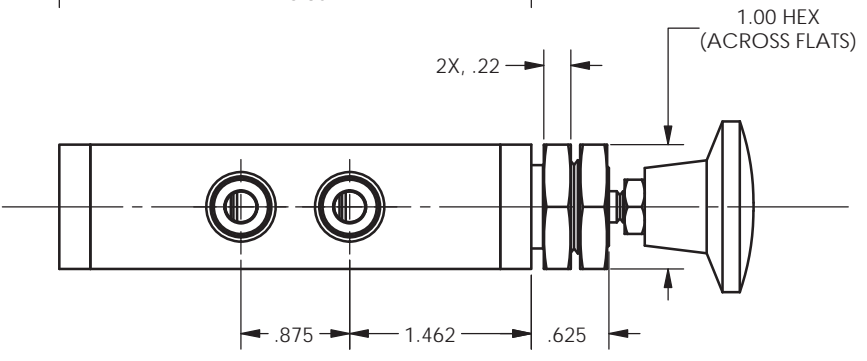
REVISIONS				
ECR	REV.	DESCRIPTION	DATE	APPROVED
E2291	-	NEW RELEASE	09/23/2013	GK



2X Ø .266 THRU,  
FOR Ø 1/4 BOLT MTG.

**SPECIFICATIONS:**

VALVE TYPE PNEUMATIC, 4 WAY, 2 POSITION  
 NUMBER OF PORTS 5  
 PORT SIZE 1/4"-18 NPT  
 VALVE OPERATOR MANUAL, PUSH/PULL  
 MAX FLOW 43 SCFM @ 100 PSI  
 OPERATING RANGE 0-130 PSI  
 LENGTH x WIDTH x HEIGHT 6.01 x 1.50 x 1.38



**PROPRIETARY AND CONFIDENTIAL**  
 THE INFORMATION CONTAINED IN THIS DRAWING IS THE SOLE PROPERTY OF APSCO Inc.. ANY REPRODUCTION IN PART OR AS A WHOLE WITHOUT WRITTEN PERMISSION OF APSCO Inc. IS PROHIBITED.

**DO NOT SCALE DRAWING**  
 UNLESS OTHERWISE SPECIFIED DIMENSIONS ARE IN INCHES  
 TOLERANCES ARE:  
 DECIMALS  
 .X = ±.03  
 .XX = ±.010  
 .XXX = ±.005  
 FRACTION = ±.015  
 ANGLES = ±1/2°  
 SURFACE TEXTURE OR BETTER  
 MATERIAL NA  
 FINISH NA



TITLE: VALVE - 4 WAY, 2 POS, 5 PORT PUSH-PULL			
DWG. NO. <b>VX-4</b>		REV -	
SIZE <b>B</b>	DRAWN GK	DATE 07/12/2012	CLASS VALVE
F/N:VX MODULAR SERIES, 4 WAY			SHT. 2 OF 2

8 7 6 5 4 3 2 1