

6

5

4

3

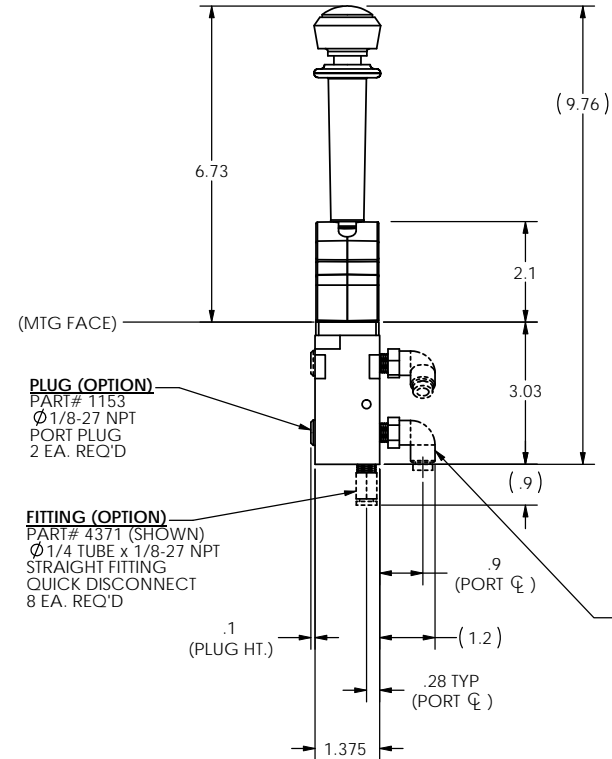
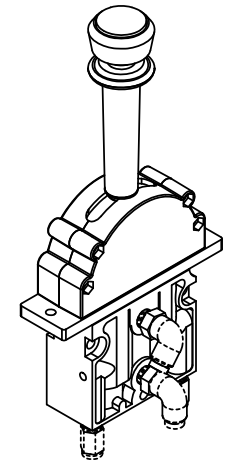
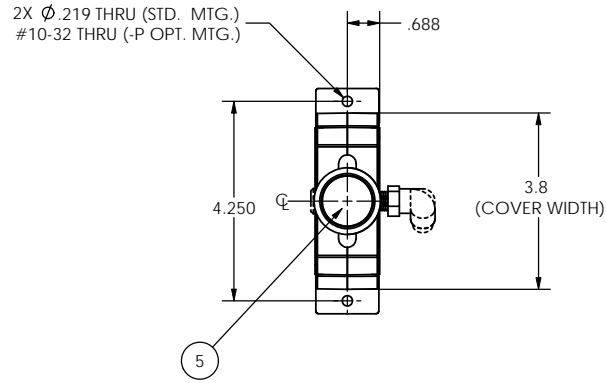
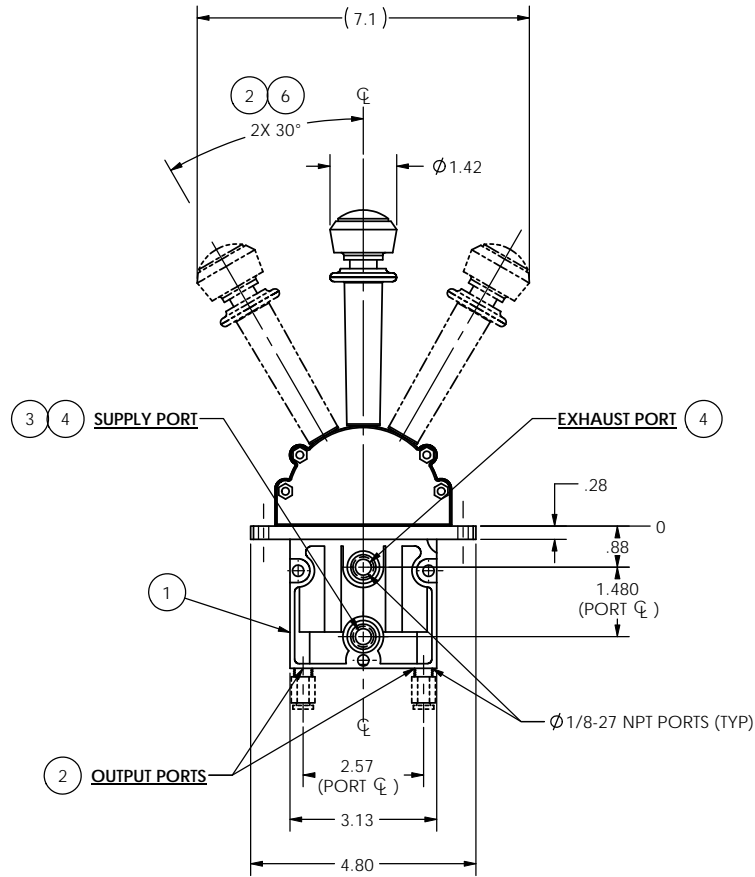
2

1

| REVISIONS |             |          |      |
|-----------|-------------|----------|------|
| REV.      | DESCRIPTION | APPROVAL | DATE |
| 1         |             |          |      |

**NOTE:**

1. ALUMINIUM CAST BODY
2. FULLY PROPORTIONAL (0-100 PSI)
3. 150 PSI MAX INPUT
4. STACKABLE WITH ONE COMMON SUPPLY INLET & EXHAUST
5. REMOVABLE LENSE FOR LABELING
6. VARIOUS DETENT OPTIONS AVAILABLE



|   |          |  |                     |   |          |
|---|----------|--|---------------------|---|----------|
| <small>THIS MATERIAL IS THE PROPERTY OF AIR POWER SYSTEMS CO., INC. AND IS FURNISHED FOR THE PURPOSE INDICATED. ANY AND ALL CONFIDENTIAL, PROPRIETARY, PATENT AND OTHER RIGHTS IN THE SUBJECT MATTER BEING RETAINED INCLUDING ANY EXCLUSIVE RIGHTS OF USE AND/OR MANUFACTURE AND/OR SALE POSSESSION OF THIS MATERIAL DOES NOT CONVEY ANY PERMISSION TO REPRODUCE THIS MATERIAL IN WHOLE OR IN PART OR MANUFACTURE THE SUBJECT MATTER HEREIN THEREON OR USE THE CONFIDENTIAL OR PROPRIETARY INFORMATION THEREON. SUCH PERMISSION TO BE GRANTED ONLY BY SPECIFIC AUTHORIZATION IN WRITING BY AN OFFICER OR OTHER AUTHORIZED AGENT OF AIR POWER SYSTEMS CO., INC.'S DIVISIONS OR SUBSIDIARIES.</small> |          | <small>UNLESS OTHERWISE SPECIFIED DIMENSIONS ARE IN INCHES TOLERANCES ARE:</small><br>DECIMALS .015 .030 .045 .060 .075 .100 .125 .150 .175 .200 .250 .300 .375 .450 .500 .625 .750 .875 .900 .950 .975 .990 .995 .999 .9995<br>ANGLES ± .012°<br>SURFACE TEXTURE OR FINISH: <input checked="" type="checkbox"/> SURFACE TEXTURE OR FINISH |                     | <b>APSCO Inc.</b><br>8175 EAST 44TH ST<br>TULSA, OK 74145 |          |
| DATE  | APPROVED | DATE   | APPROVED            | DATE  | APPROVED |
| 7-29-09   | CK       | 7-29-09  | CK                  |   |          |
| TITLE: <b>METERING VALVE</b>  |          |  | PART #: <b>VM-8</b> |   |          |
| DO NOT SCALE DRAWING  |          |  | SHEET 1 OF 1        |   |          |

6

5

4

3

2

1