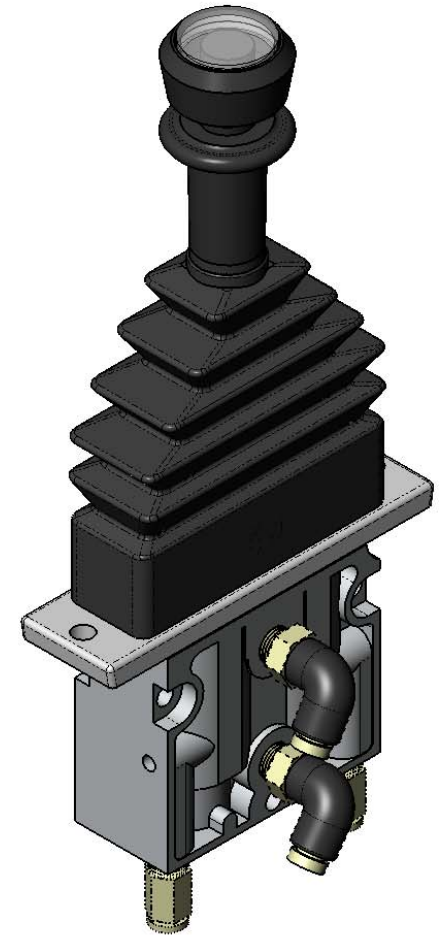
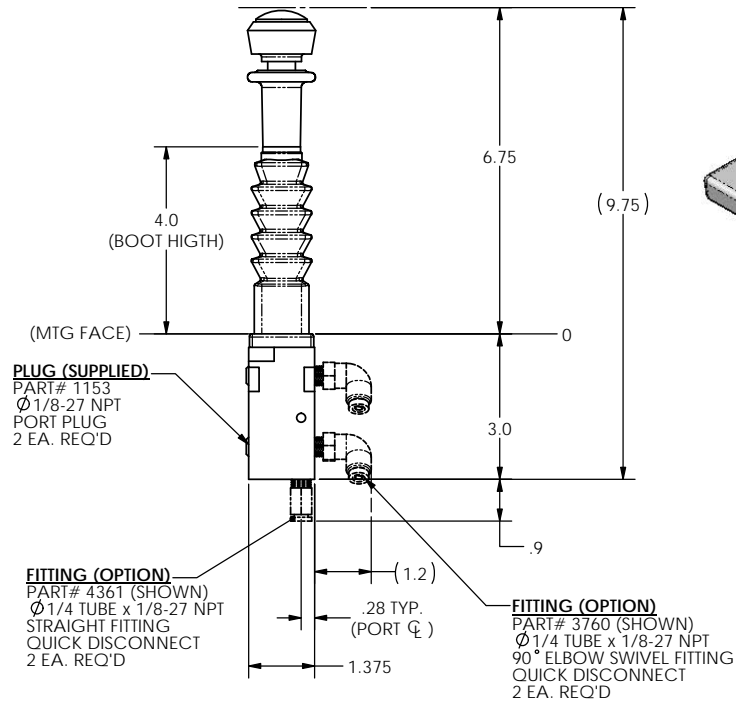
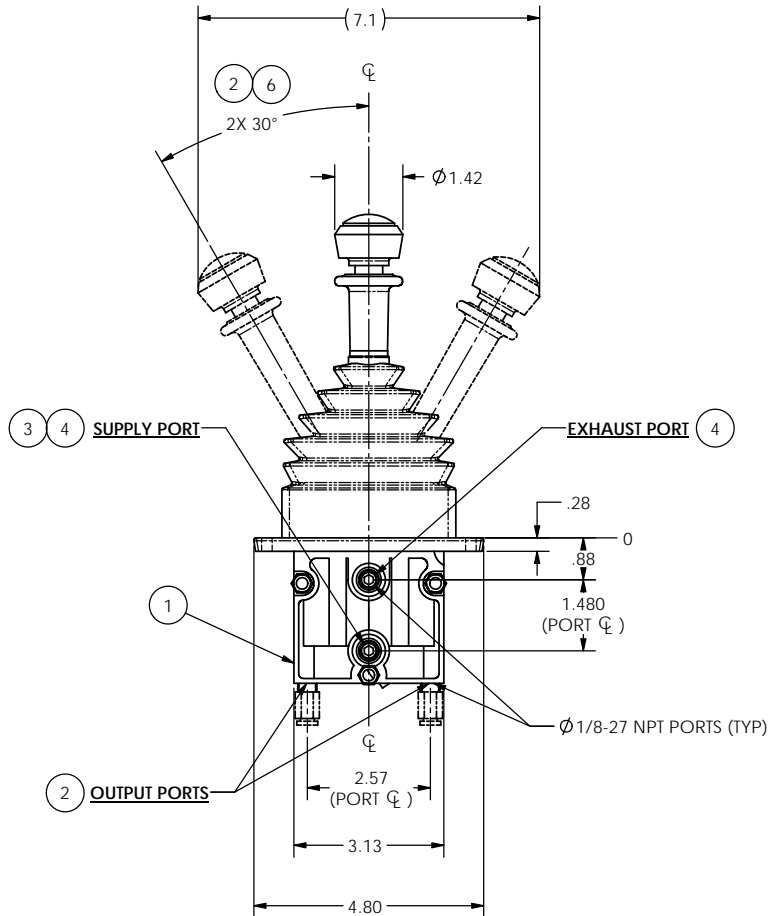
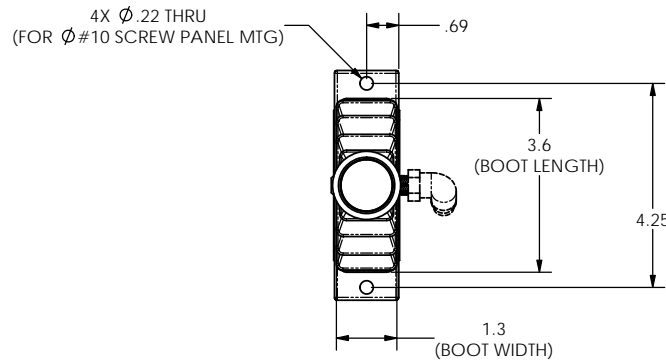


REVISIONS				
ECR	REV.	DESCRIPTION	DATE	APPROVED
E1936	-	REVISED TO NEW FORMAT	02/07/2013	JUMPER

NOTE:

1. ALUMINIUM CAST BODY
2. FULLY PROPORTIONAL (0-100 PSI)
3. 150 PSI MAX SUPPLY
4. STACKABLE WITH ONE COMMON SUPPLY INLET & EXHAUST
5. REMOVABLE LENSE FOR LABELING
6. VARIOUS DETENT OPTIONS AVAILABLE
7. TEMPERATURE -20/200F



<p>TYPE OF PROJECTION</p> <p>THIRD ANGLE PROJECTION</p>	<p>DO NOT SCALE DRAWING UNLESS OTHERWISE SPECIFIED DIMENSIONS ARE IN INCHES TOLERANCES ARE: DECIMALS X = ±.03 XX = ±.010 XXX = ±.005 FRACTION = ±.015 ANGLES = ±1/2°</p> <p>SURFACE TEXTURE OR BETTER</p> <p>MATERIAL: N/A</p> <p>FINISH: N/A</p>	<p>8178 EAST 44TH STREET TULSA, OK 74145</p>		
		<p>TITLE: VM-8 STEEL DETENT RUBBER BOOT</p>		
<p>PROPRIETARY AND CONFIDENTIAL</p> <p>THE INFORMATION CONTAINED IN THIS DRAWING IS THE SOLE PROPERTY OF APSCO Inc.. ANY REPRODUCTION IN PART OR AS A WHOLE WITHOUT WRITTEN PERMISSION OF APSCO Inc. IS PROHIBITED.</p>	<p>DWG. NO. VM-8-SD</p>		<p>REV. -</p>	
	<p>SIZE B</p>	<p>DRAWN JUMPER</p>	<p>DATE 02/07/2013</p>	<p>CLASS 8</p>
<p>F/N: VM-7,8,9</p>			<p>SHT. 1 OF 1</p>	