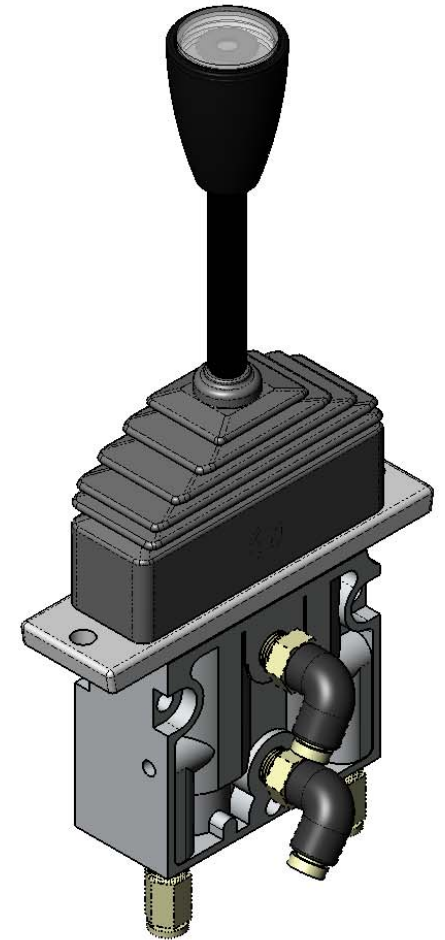
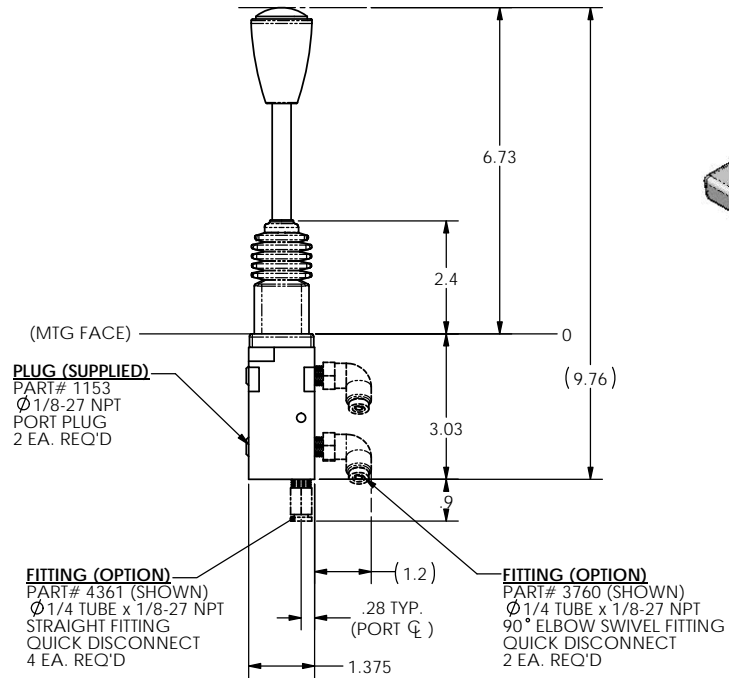
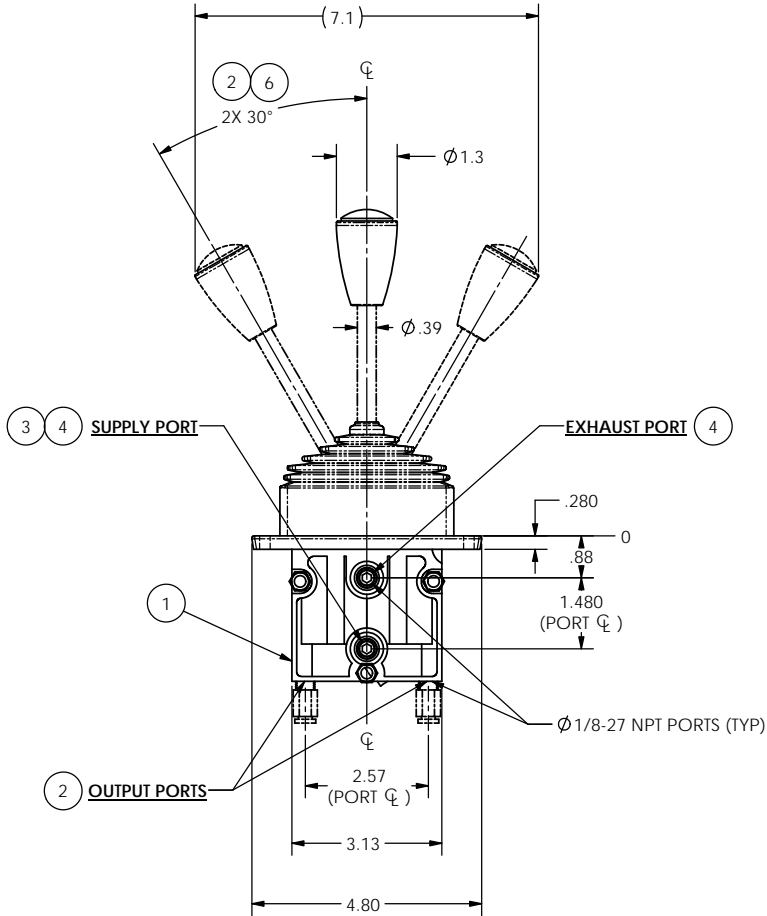
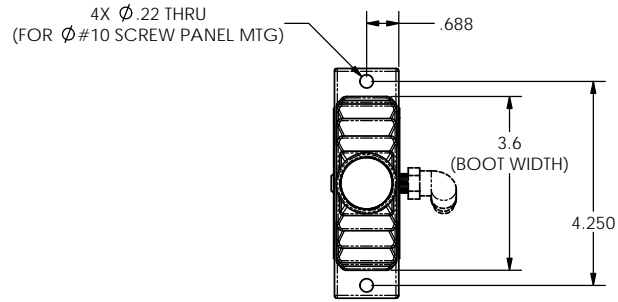


REVISIONS				
ECR	REV.	DESCRIPTION	DATE	APPROVED
E2009	A	REVISED TO NEW FORMAT	02/05/2013	JUMPER

NOTE:

1. ALUMINIUM CAST BODY
 2. FULLY PROPORTIONAL (0-100 PSI)
 3. 150 PSI MAX SUPPLY
 4. STACKABLE WITH ONE COMMON SUPPLY INLET & EXHAUST
 5. REMOVABLE LENS FOR LABELING
 6. VARIOUS DETENT OPTIONS AVAILABLE
 7. STRAIGHT, 20°, 35°, 45°, 55° ANGLED HANDLES
 8. AVAILABLE FOR STACKING OPTIONS
- TEMPERATURE -20/200F



TYPE OF PROJECTION THIRD ANGLE PROJECTION PROPRIETARY AND CONFIDENTIAL THE INFORMATION CONTAINED IN THIS DRAWING IS THE SOLE PROPERTY OF APSCO Inc.. ANY REPRODUCTION IN PART OR AS A WHOLE WITHOUT WRITTEN PERMISSION OF APSCO Inc. IS PROHIBITED.	DO NOT SCALE DRAWING UNLESS OTHERWISE SPECIFIED DIMENSIONS ARE IN INCHES TOLERANCES ARE: DECIMALS X = ±.03 XX = ±.010 XXX = ±.005 FRACTION = ±.015 ANGLES = ±1/2°	 8178 EAST 44TH STREET TULSA, OK 74145	
	SURFACE TEXTURE OR BETTER MATERIAL: N/A FINISH: N/A	TITLE: VALVE M/N/M STRAIGHT DWG. NO. VM-7 REV. A	
SIZE: B DRAWN: JUMPER F/N: VM-7,8,9	DATE: 02/05/2013	DATE: 02/05/2013	SHT. 1 OF 1