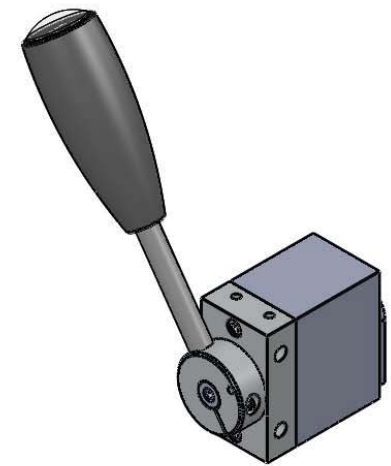
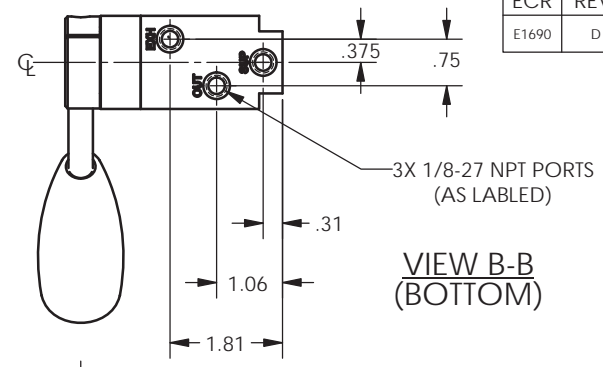
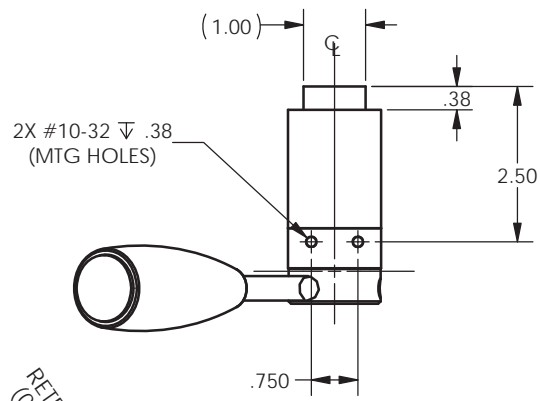
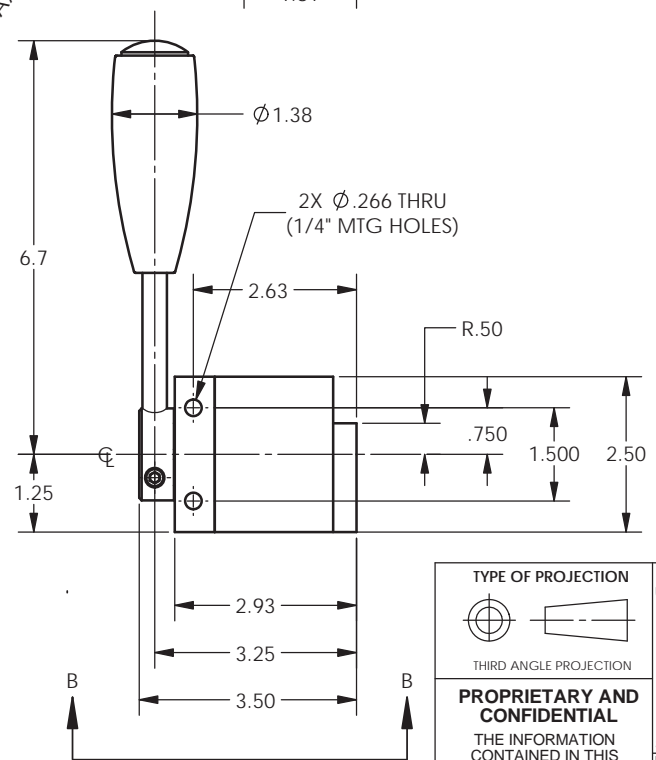
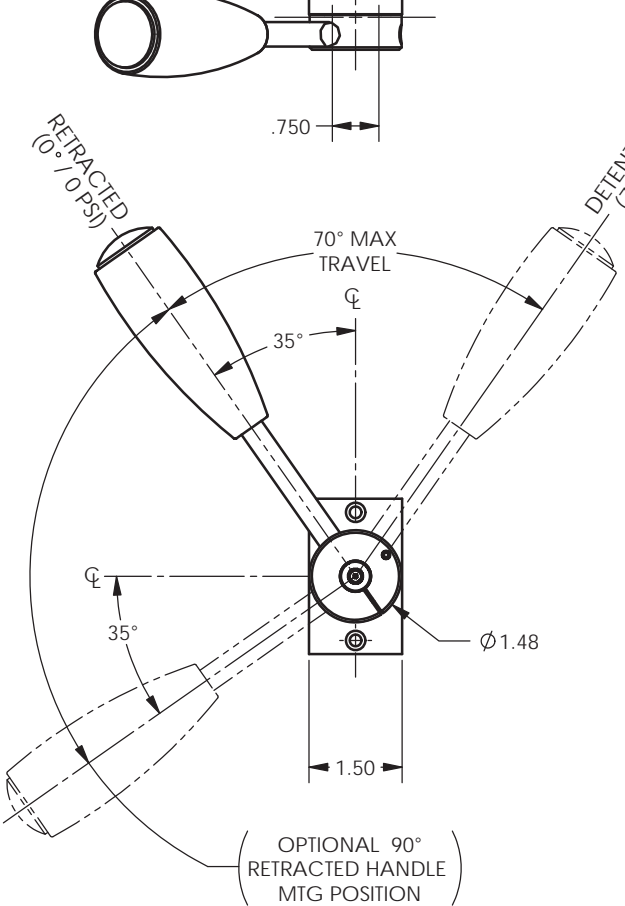


REVISIONS				
ECR	REV.	DESCRIPTION	DATE	APPROVED
E1690	D	See Sheet1	04/20/2012	JUMPER



ISOMETRIC VIEW



VIEW B-B (BOTTOM)

NOTES

1. BLACK ANODIZED ALUMINIUM BODY
2. 70° TRAVEL FULLY PROPORTIONAL (0-100 PSI)
3. DETENTED AT FULL EXTEND POSITION
4. OPTIONAL; 90° HANDLE MTG POSITION
5. OPTIONAL; VALVE WITH SINTERED BRONZE MUFFLER (#4538)
ORDER AS ASS'Y # VM-2-X-M
6. OPTIONAL FITTINGS AVAILABLE;
1/8-27 NPT x ϕ 1/4" DOT TUBE QUICK DISCONNECT
90° SWIVEL ELBOW (#3760),
OR STRAIGHT (#4361)

TYPE OF PROJECTION
THIRD ANGLE PROJECTION

PROPRIETARY AND CONFIDENTIAL

THE INFORMATION CONTAINED IN THIS DRAWING IS THE SOLE PROPERTY OF APSCO Inc. ANY REPRODUCTION IN PART OR AS A WHOLE WITHOUT WRITTEN PERMISSION OF APSCO Inc. IS PROHIBITED.

DO NOT SCALE DRAWING UNLESS OTHERWISE SPECIFIED DIMENSIONS ARE IN INCHES TOLERANCES ARE:
DECIMALS
X = \pm .03
XX = \pm .010
XXX = \pm .005
FRACTION = \pm .015
ANGLES = \pm 1/2°

SURFACE TEXTURE OR BETTER
MATERIAL N/A
FINISH N/A

APSCO Inc.
8178 EAST 44TH STREET
TULSA, OK 74145

TITLE: VALVE 3 WAY METERING

DWG. NO. VM-2-X REV D

SIZE B DRAWN GK DATE 01/13/2011 CLASS VAL

F/N: VM-2-X SHEET 2 OF 2