

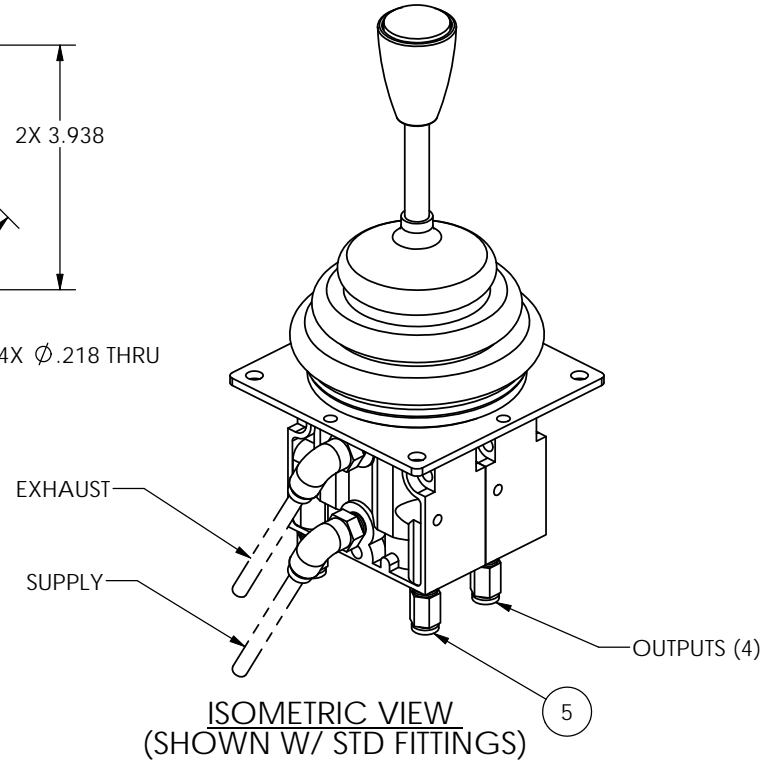
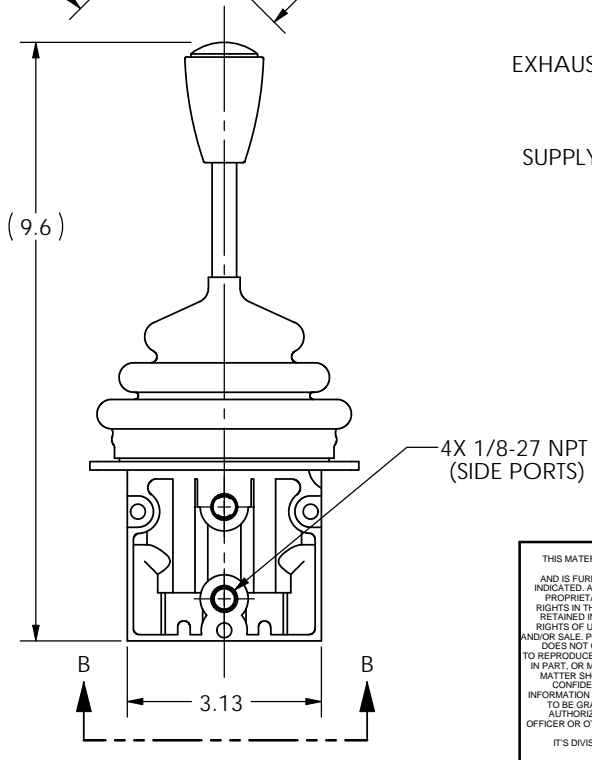
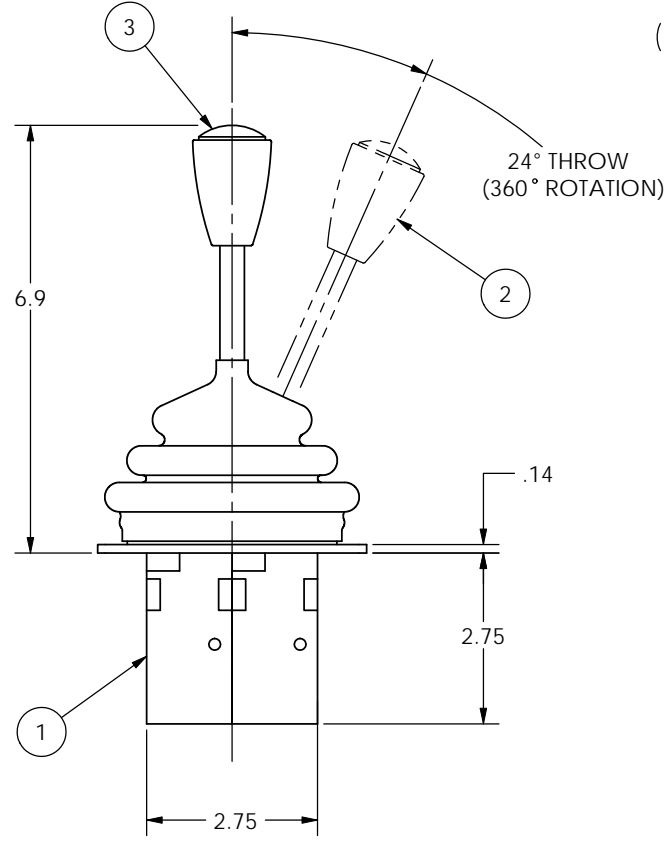
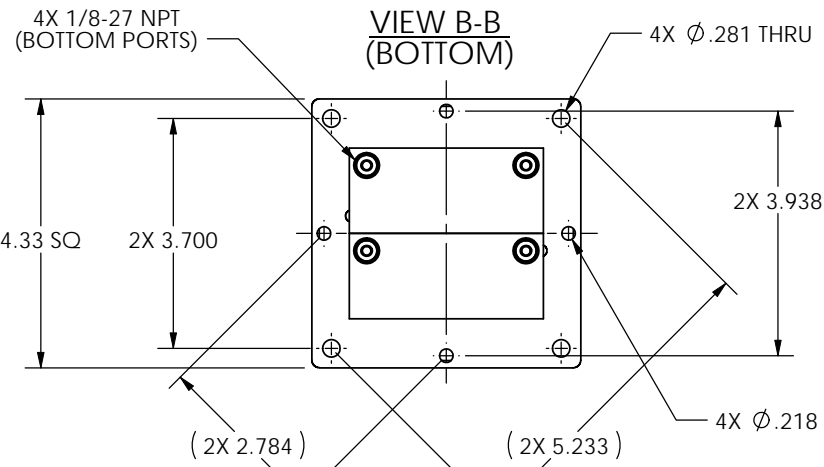
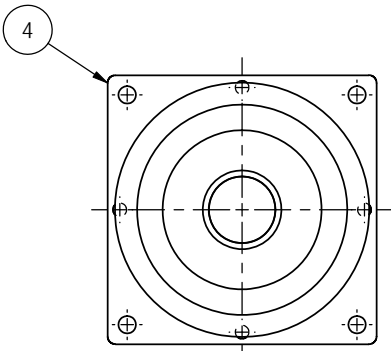
4

3

2

1

REVISIONS			
REV	DESCRIPTION	APPROVAL	DATE
A	ADDED BOTTOM VIEW & HANDLE HEIGHT 6.9 WAS 7.22	GK	09-23-09



1. ALUMINIUM CAST BODY
2. FULLY PROPORTIONAL (0-100 PSI) REMOVABLE LENS FOR LABELING
3. OPTIONAL MOUNTING BRACKETS AVAILABLE
4. OPTIONAL FITTINGS AVAILABLE
5. 1/8-27 NPT x Ø1/4" DOT TUBE QUICK DISCONNECT 90° SWIVEL ELBOW, STRAIGHT, OR PIPE PLUG

THIS MATERIAL IS THE PROPERTY OF APSCO, INC. AND IS FURNISHED FOR THE PURPOSE INDICATED. ANY AND ALL CONFIDENTIAL, PROPRIETARY, PATENT AND OTHER RIGHTS IN THE SUBJECT MATTER BEING RETAINED INCLUDING ANY EXCLUSIVE RIGHTS OF USE AND/OR MANUFACTURE AND/OR SALE. POSSESSION OF THIS MATERIAL DOES NOT CONVEY ANY PERMISSION TO REPRODUCE THIS MATERIAL, IN WHOLE OR IN PART, OR MANUFACTURE THE SUBJECT MATTER SHOWN THEREIN OR USE THE CONFIDENTIAL OR PROPRIETARY INFORMATION THEREON. SUCH PERMISSION TO BE GRANTED ONLY BY SPECIFIC AUTHORIZATION IN WRITING BY AN OFFICER OR OTHER AUTHORIZED AGENT OF APSCO, INC. ITS DIVISIONS OR SUBSIDIARIES.

UNLESS OTHERWISE SPECIFIED DIMENSIONS ARE IN INCHES TOLERANCES ARE:

DECIMALS	ANGLES	FRACTION	SURFACE TEXTURE
.X = ±.03	±1/2°	±.015	OR BETTER
.XX = ±.010			
.XXX = ±.005			

MATERIAL: N/A
FINISH: N/A

APSCO, Inc. 8178 EAST 44TH STREET TULSA, OK 74145			
DRAWN	DATE	APPROVED	DATE
MC/GK	10-22-09	GK	09-23-09
TITLE VM-10 SERIES 4.33 SQUARE MTG			
SIZE	CAGE CODE	DRAWING NO.	REV
B	4V549	VM-10	A
DO NOT SCALE DRAWING			SHEET 1 OF 1

4

3

2

1

SOLIDWORKS