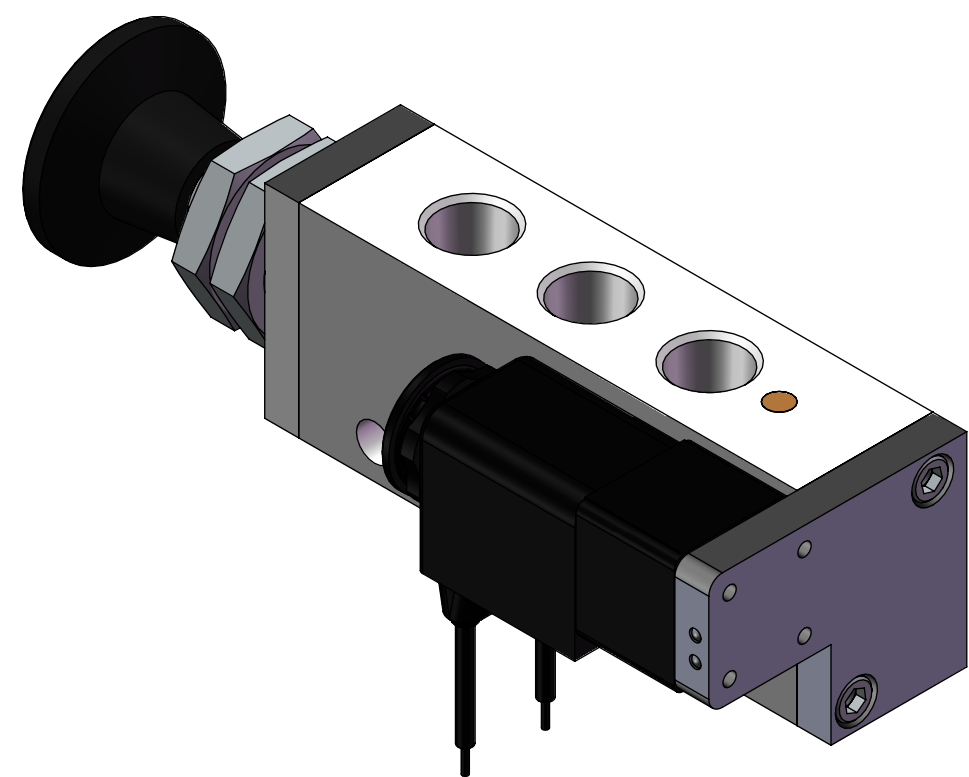
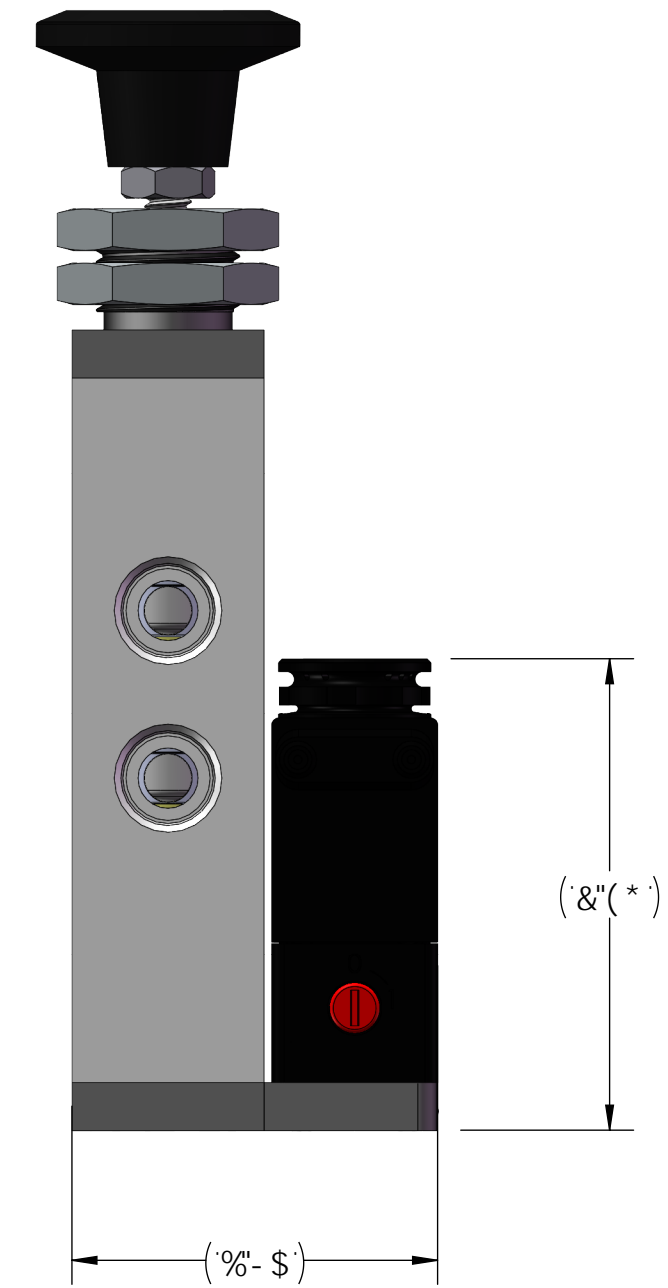
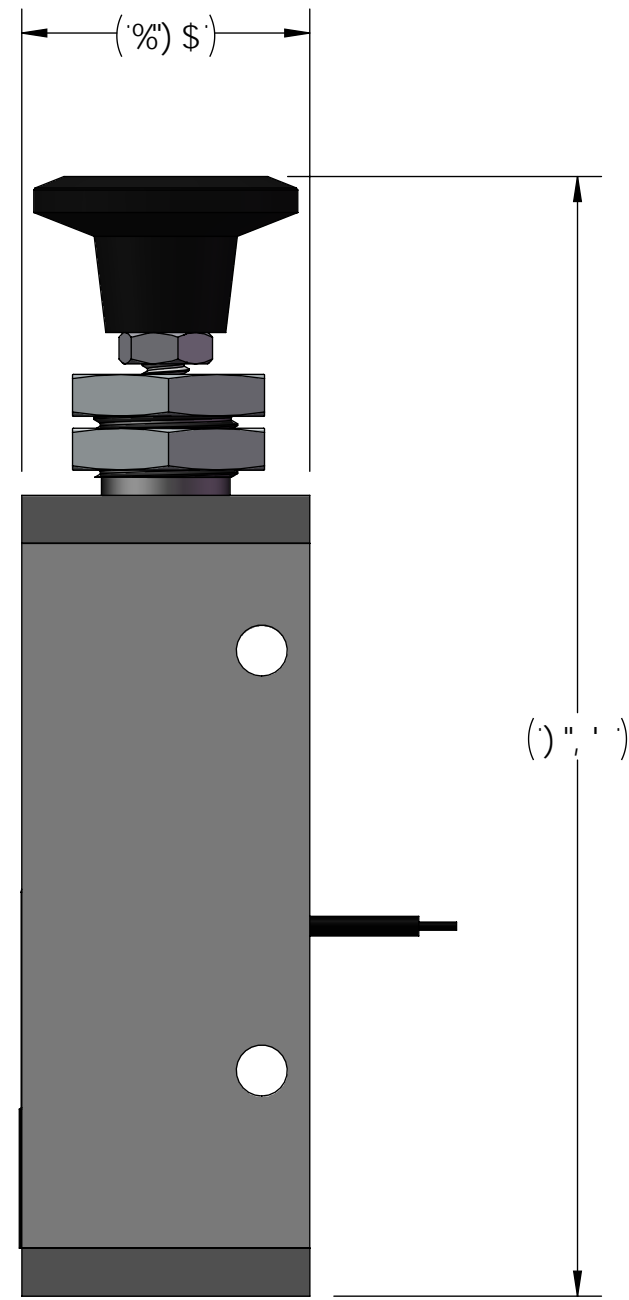


F9J GCBG						
97 F	F9J GCB	89G7 F4HC B		7 <5B: 98 6M	85HP	5DDFCJ 98 6M
' *%&	7	#9A &'5DD95F5B7 9'7 <5B; 9		7 6	(#%\$#&\$%)	FH



DFCDF 9H5 FM5 B8 7 CB: 89BH5 @ <small>VPOA QOUT CEWP AOU P VCB COAP A/P QIUCY Q QAWA/P OA UU SOAUUUOUUVYAUQ% DG7 C #WALB YAUUUUONOWP A A UCEVAUUAELAY PUSOA QP UWA' UQVOP AOUT QIUP AUA 5 DG7 C #WAWAUUP QOQOE</small>			
HM9C: DFC >97 HCB 		A 5HF 5@ B #5	
8F5K B 7 6	85HP ' #, #&\$%	HH99: J 5 @ 9') K 5 M' DI G < # DI @ @ 5 F'	
7 < 97 798 5K	85HP ' #, #&\$%	8K ; " BC" J @) ! 9G	
5DDFCJ 98 FH	85HP ' #, #&\$%	5CG9A 6@HC @F5B7 9 8C BCHG7 5 @ 8F5K B:	G < 99HC A9 Ô
: 85@ FH	85HP ' #, #&\$%	G7 5 @ FK	F9J GCB 7
: #B. J @) 19G		G < H & C : &	