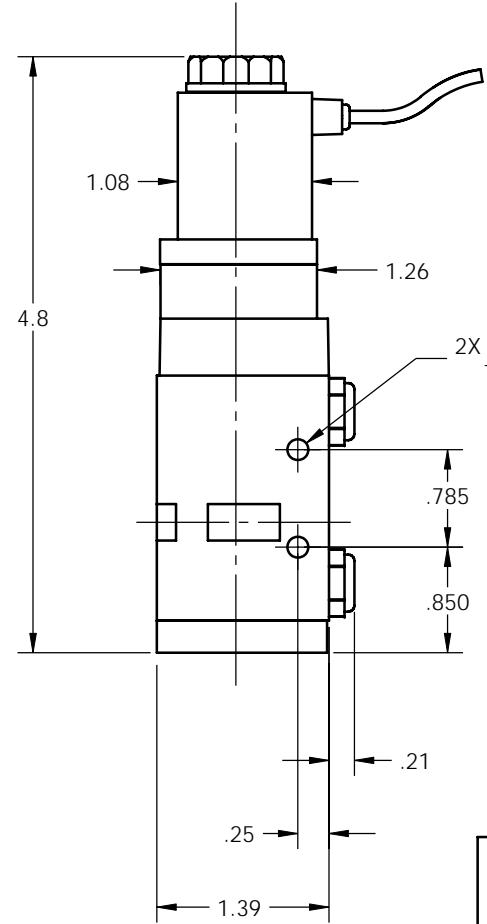
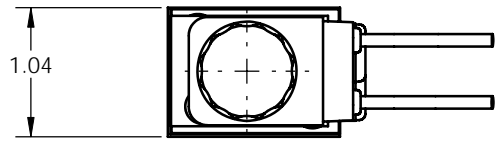
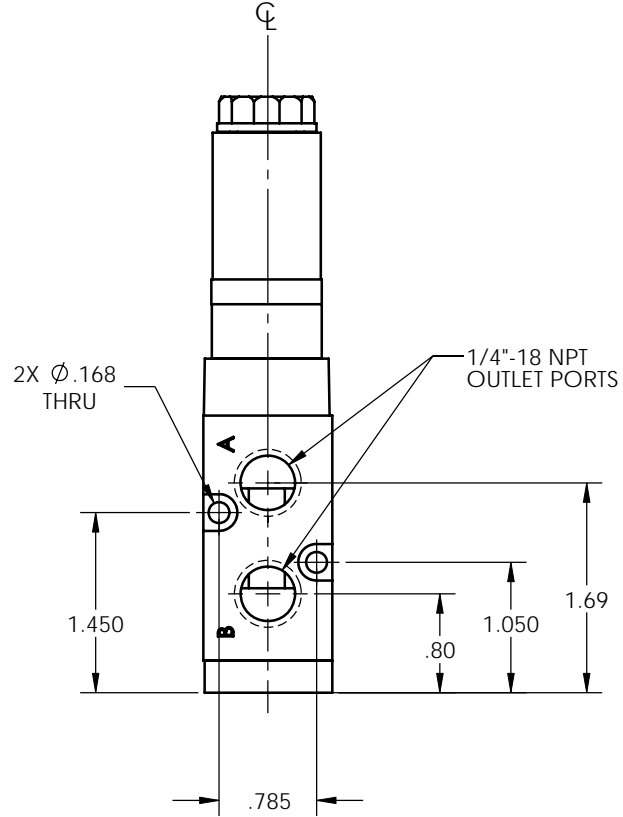
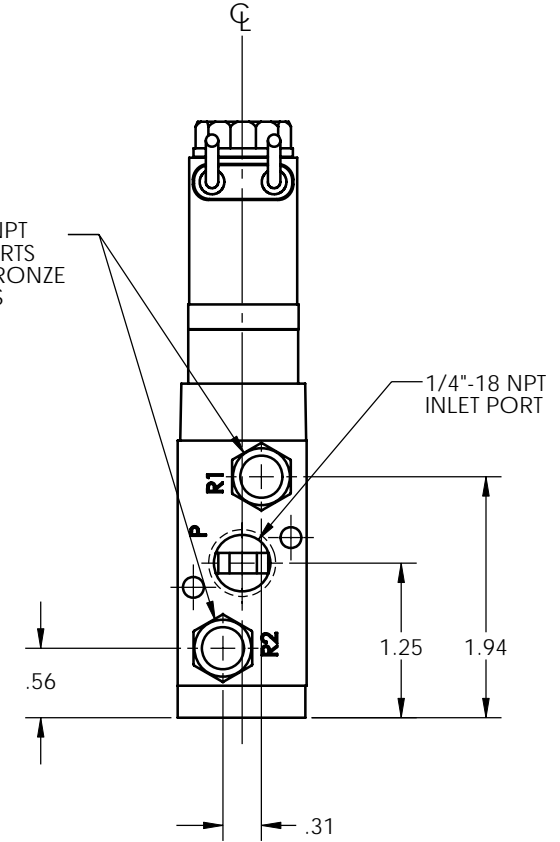


NOTES (UNLESS OTHERWISE SPECIFIED):

REVISIONS			
REV	DESCRIPTION	APPROVAL	DATE



2X 1/8"-27 NPT EXHAUST PORTS W/ SINTERED BRONZE MUFFLERS



THIS MATERIAL IS THE PROPERTY OF AIR POWER SYSTEMS CO., INC. AND IS FURNISHED FOR THE PURPOSE INDICATED, ANY AND ALL CONFIDENTIAL, PROPRIETARY, PATENT AND OTHER RIGHTS IN THE SUBJECT MATTER BEING RETAINED INCLUDING ANY EXCLUSIVE RIGHTS OF USE AND/OR MANUFACTURE AND/OR SALE. POSSESSION OF THIS MATERIAL DOES NOT CONVEY ANY PERMISSION TO REPRODUCE THIS MATERIAL IN WHOLE OR IN PART, OR MANUFACTURE THE SUBJECT MATTER SHOWN THEREIN OR USE THE CONFIDENTIAL OR PROPRIETARY INFORMATION THEREON, SUCH PERMISSION TO BE GRANTED ONLY BY SPECIFIC AUTHORIZATION IN WRITING BY AN OFFICER OR OTHER AUTHORIZED AGENT OF AIR POWER SYSTEMS CO., INC. ITS DIVISIONS OR SUBSIDIARIES.

UNLESS OTHERWISE SPECIFIED DIMENSIONS ARE IN INCHES TOLERANCES ARE:

DECIMALS .XX = ±.005
.XXX = ±.005
FRACTION ±.015

ANGLES = 112°

SURFACE TEXTURE OR BETTER

MATERIAL N/A

FINISH N/A

APSCO Inc. 8178 EAST 44TH STREET TULSA, OK 74145			
DRAWN MC	DATE 6-2-08	APPROVED KET	DATE 06/19/08
TITLE SOLENOID VALVE; 4 WAY, 12V DC			
SIZE B	CAGE CODE 4V549	DRAWINGS NO. VE-2	REV -
DO NOT SCALE DRAWING			SHEET 1 OF 1

SOLIDWORKS