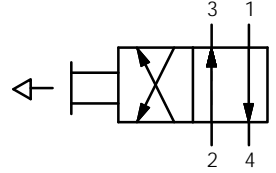
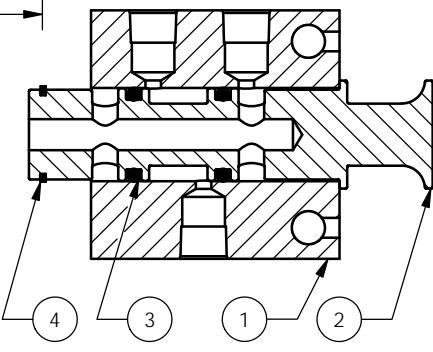
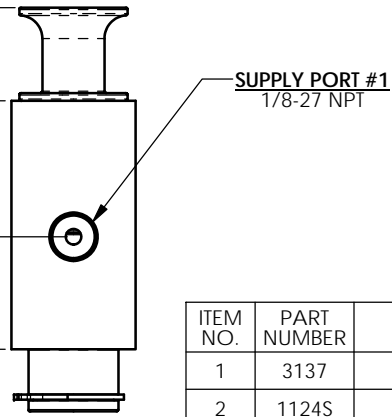
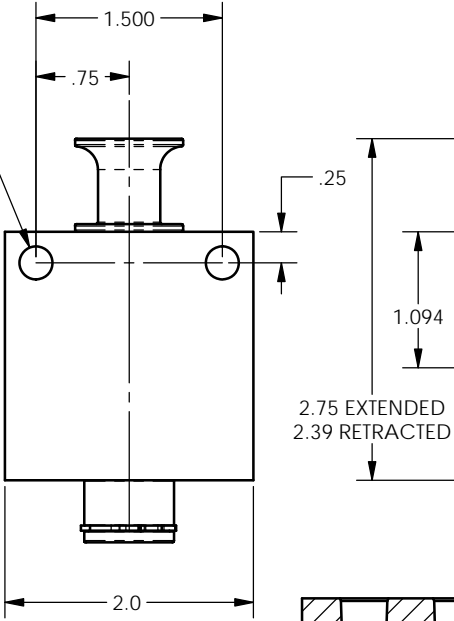
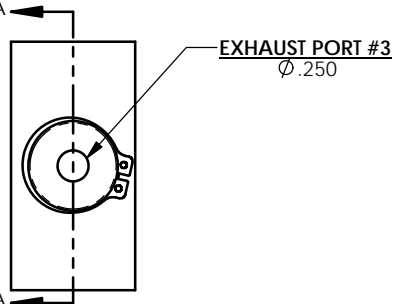
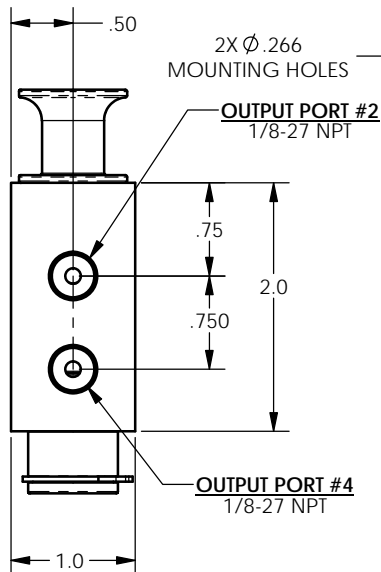
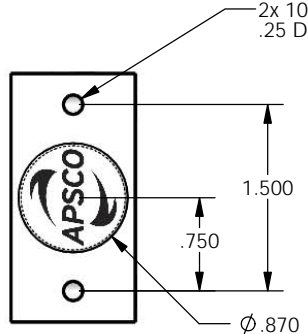


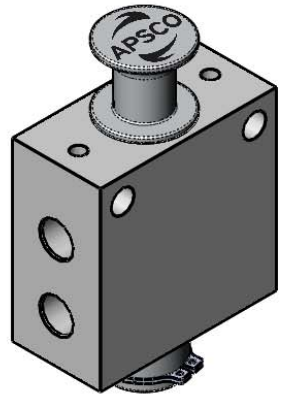
REVISIONS				
ECR	REV.	DESCRIPTION	DATE	CHG BY
E2390	-	NEW RELEASE	1/10/2014	JUMPER
E2624	A	ADDED TOP MOUNTING HOLES, SECTION VIEW AND BOM	11/10/2014	JUMPER

SPECIFICATIONS:
 VALVE TYPE
 NUMBER OF PORTS
 VALVE OPERATOR
 OPERATING RANGE

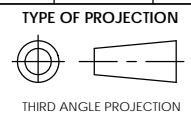
PUSH/PULL, 4 WAY, 2 POSITION
 4
 PUSH/PULL
 0-150 PSI



VALVE SCHEMATIC
 NORMALLY OPEN TO PORT #4



ITEM NO.	PART NUMBER	DESCRIPTION	QTY.
1	3137	VALVE BODY V-8 W/ MOUNT HOLES	1
2	1124S	(APSCO) PRINTING ON SPOOL	1
3	1205	O-RING 2-113 3/4 OD 9/16 ID	2
4	1206	SNAP RING, EXT .688 D	1



PROPRIETARY AND CONFIDENTIAL
 THE INFORMATION CONTAINED IN THIS DRAWING IS THE SOLE PROPERTY OF APSCO Inc.. ANY REPRODUCTION IN PART OR AS A WHOLE WITHOUT WRITTEN PERMISSION OF APSCO Inc. IS PROHIBITED.

DO NOT SCALE DRAWING
 UNLESS OTHERWISE SPECIFIED DIMENSIONS ARE IN INCHES
 TOLERANCES ARE:
 DECIMALS
 .X = ±.03
 .XX = ±.010
 .XXX = ±.005
 FRACTION = ±.015
 ANGLES = ±1/2°

SURFACE TEXTURE OR BETTER
 MATERIAL N/A
 FINISH N/A



TITLE: VALVE, PUSH/PULL, 4-WAY, 2 POS,			
DWG. NO. V-8		REV A	
SIZE B	DRAWN JUMPER	DATE 01/08/2014	CLASS
F/N: V-8			SHT. 1 OF 1