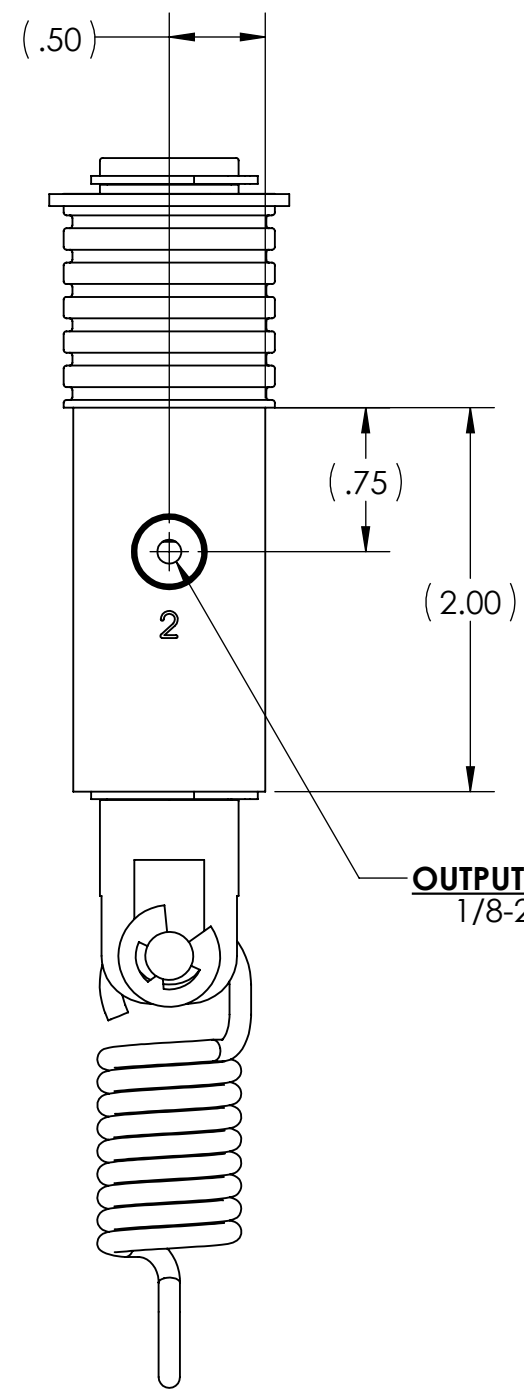
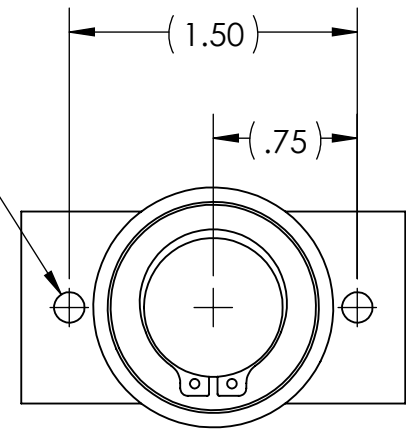


**SPECIFICATIONS:**  
 VALVE TYPE  
 VALVE OPERATOR  
 OPERATING RANGE  
 VALVE PRELOAD  
 VALVE WORKING LOAD  
 STROKE

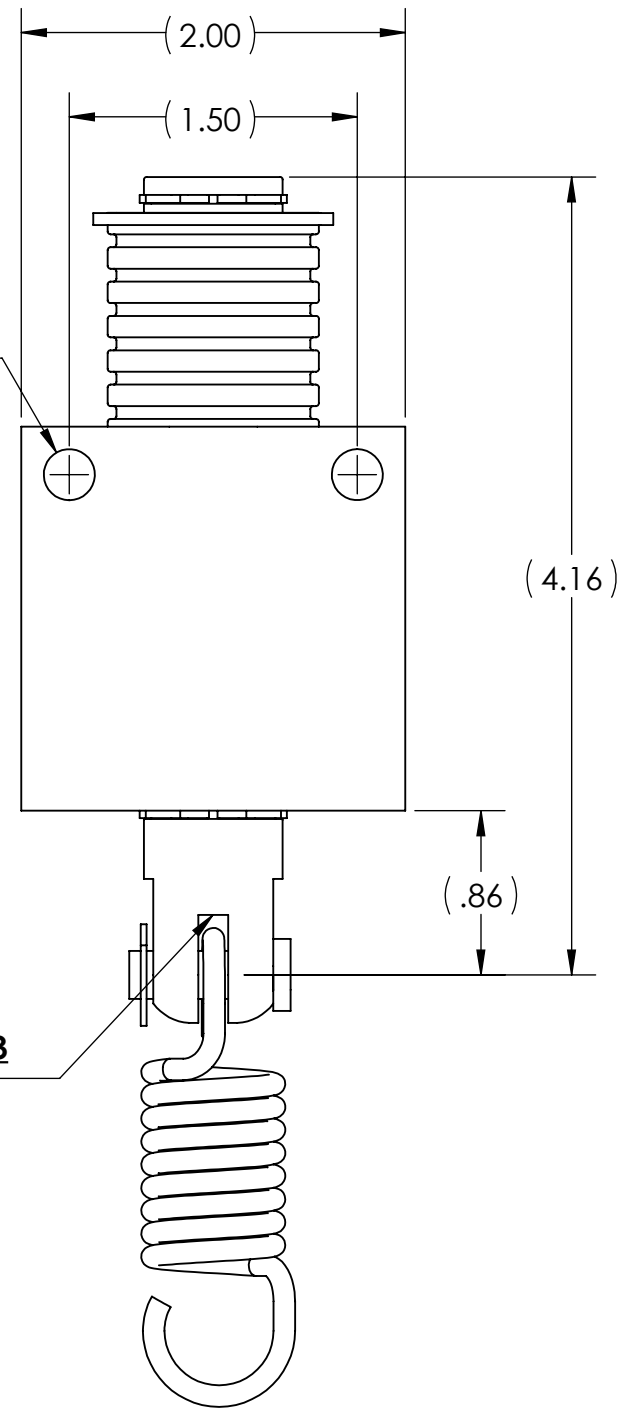
PULL/SPRING RETURN, 3 WAY, 2 POSITION  
 3  
 0-150 PSI  
 20.5 LBS  
 29.5 LBS  
 0.36 IN

2X 10-32 UNF - 2B  $\nabla$  .25  
 MOUNTING HOLES

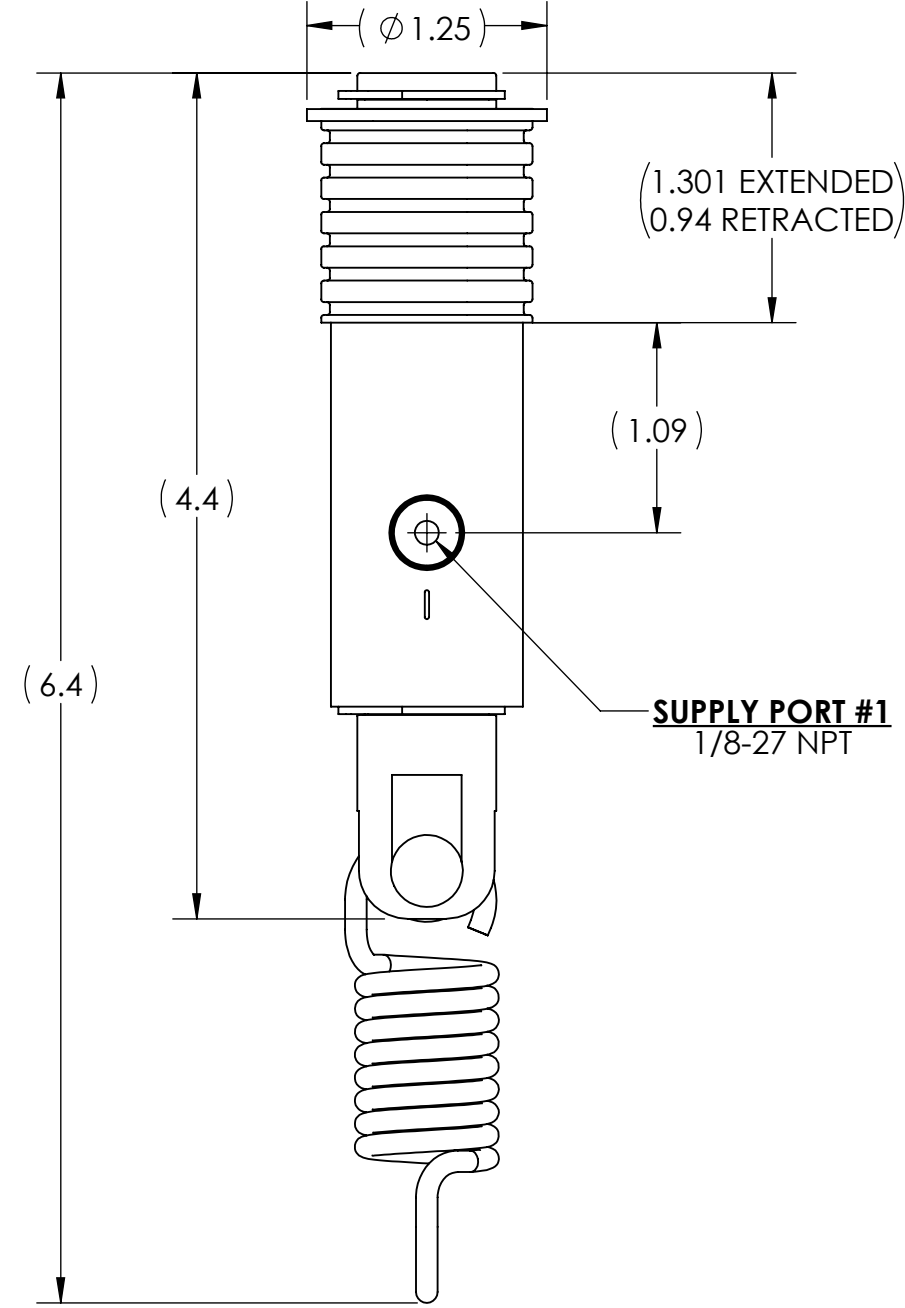


**OUTPUT PORT #2**  
 1/8-27 NPT

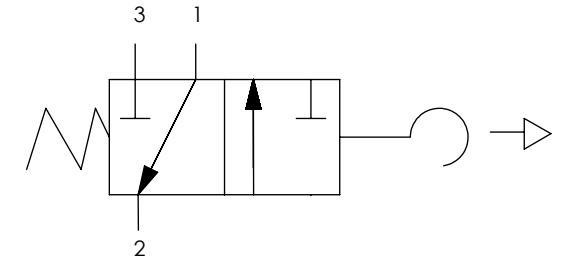
2X  $\phi$ .266  
 MOUNTING HOLES



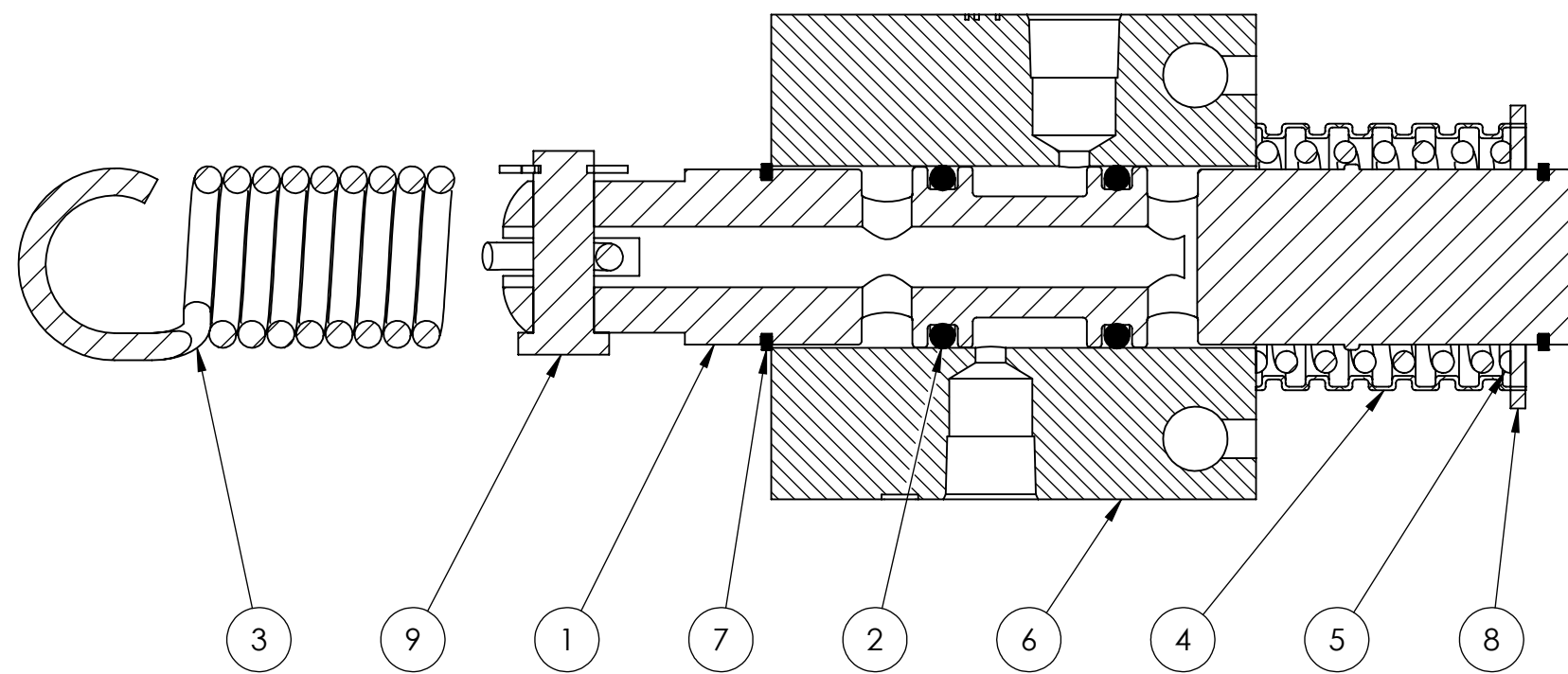
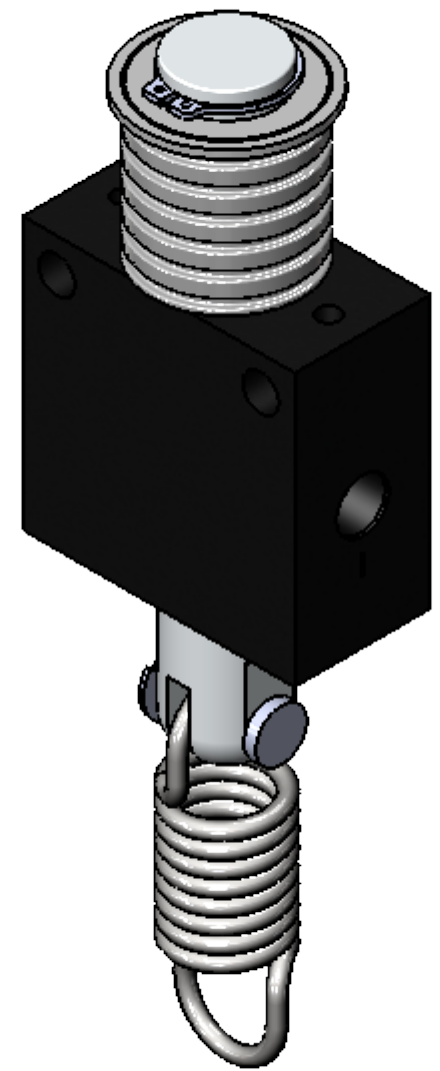
**EXHAUST PORT #3**  
 $\phi$ .250



**SUPPLY PORT #1**  
 1/8-27 NPT



**VALVE SCHEMATIC**  
 NORMALLY OPEN TO PORT #2



ITEM NO.	PART NUMBER	DESCRIPTION	QTY.
1	7729	VALVE SPOOL W/ CLEVIS	1
2	1205	O-RING 2-113 3/4 OD 9/16 ID	2
3	4091	SPG .53 ID .75 OD 2.25 LG EXT	1
4	3341	BOOT FOR V-5-B AND V-8-B	1
5	3342	SPRING, .78 ID x .96 OD x 1.97	1
6	3274	VALVE BODY V-5 W/ MOUNT HOLES	1
7	1206	SNAP RING, EXT .688 D	2
8	7731	WASHER .73 ID 1.25 OD .06 THK	1
9	7780	CLEVIS PIN W/ E CLIP 1/4"	1

**PROPRIETARY AND CONFIDENTIAL**  
 THE INFORMATION CONTAINED IN THIS DRAWING IS THE SOLE PROPERTY OF APSCO Inc. ANY REPRODUCTION IN PART OR AS A WHOLE WITHOUT WRITTEN PERMISSION OF APSCO Inc. IS PROHIBITED.

**APSCO**  
 8178 EAST 44TH STREET  
 TULSA, OK 74145  
 (918) 622-5600

TITLE: **LIMIT VALVE FOR TELESCOPIC CYL**

UNLESS OTHERWISE SPECIFIED DIMENSIONS ARE IN INCHES TOLERANCES ARE:

DRAWN AW DATE 5/16/2018	DATE 5/16/2018	FINISH N/A
CHECKED RR DATE 5/16/2018	DATE 5/16/2018	
APPROVED KT DATE 5/16/2018	DATE 5/16/2018	
FINAL RT DATE 5/16/2018	DATE 5/16/2018	

DECIMALS .X =  $\pm$ .06  
 .XX =  $\pm$ .03  
 .XXX =  $\pm$ .010

SURFACE FINISH: 63  
 ANGLES  $\pm$  2°  
 HOLES  $\pm$  .005  
 HOLES LOCATION  $\pm$  .005

DO NOT SCALE DRAWING

DWG. NO. **V-5-B**

SHEET SIZE <b>C</b>	SCALE 1:1	REVISION <b>D</b>
------------------------	--------------	----------------------

F/N: V-5-B | SHT. 1 OF 1