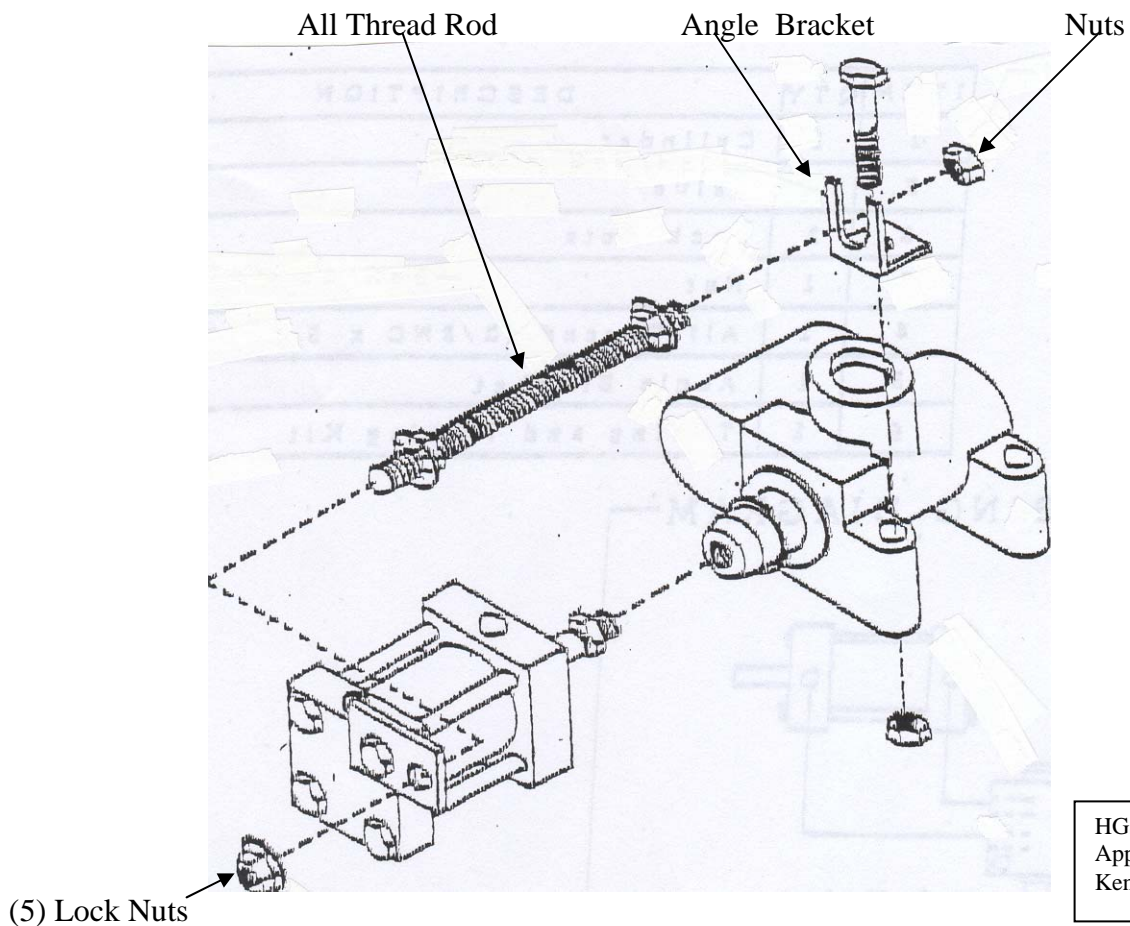


Installation Instruction

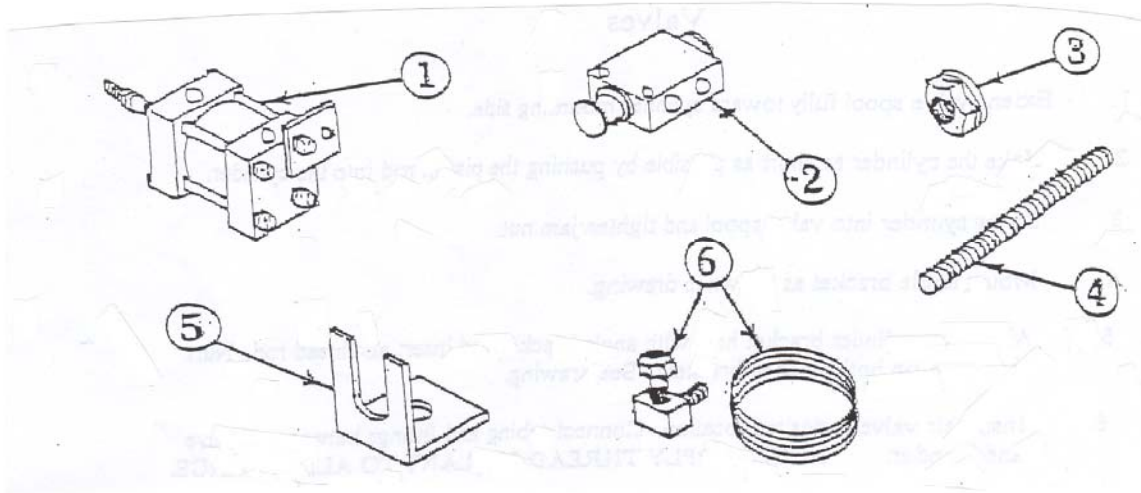
HGS-75 Air Shift Kit for Gresen S-75 and S100 Hydraulic Valves

1. Extend valve spool fully toward cylinder mounting side.
2. Make the cylinder as short as possible by pushing the piston rod into the cylinder.
3. Screw cylinder into valve spool and tighten jam nut.
4. Mount angle bracket as shown in drawing.
5. Align rear cylinder bracket hole with angle bracket and insert all-thread rod. Nuts should be on both sides of brackets. See drawing.
6. Install air valve in desired location. Connect tubing and fittings between air valve and cylinder. **NOTE: APPLY THREAD SEALANT TO ALL FITTINGS.**



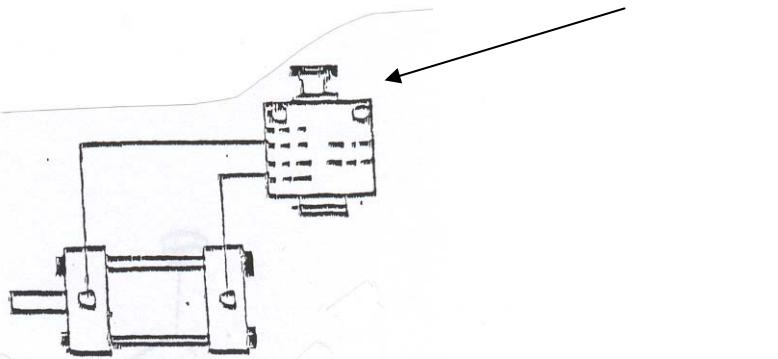
HGS-75 Rev.
Approved 10-19-04
Ken Thompson

BILL OF MATERIAL



Item	Qty	Description	Part
1	1	Cylinder	C-4450
2	1	Valve	V-8
3	3	Lock Nuts	1505
3	3	Nut	1166
4	1	All Thread (3/8 NC X 5-1/4" Long)	2220
5	1	Angle Bracket	1866
6	1	Tubing and Fitting Kit	TF-13-P

PLUMBING DIAGRAM



HGS-75 Rev. Approved 10-19-04 Ken Thompson
--