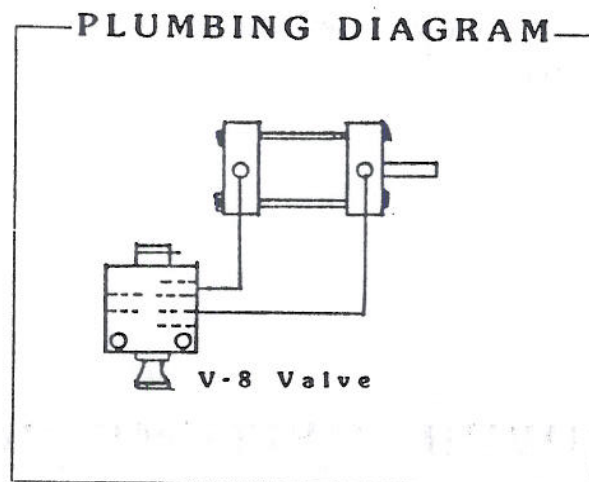




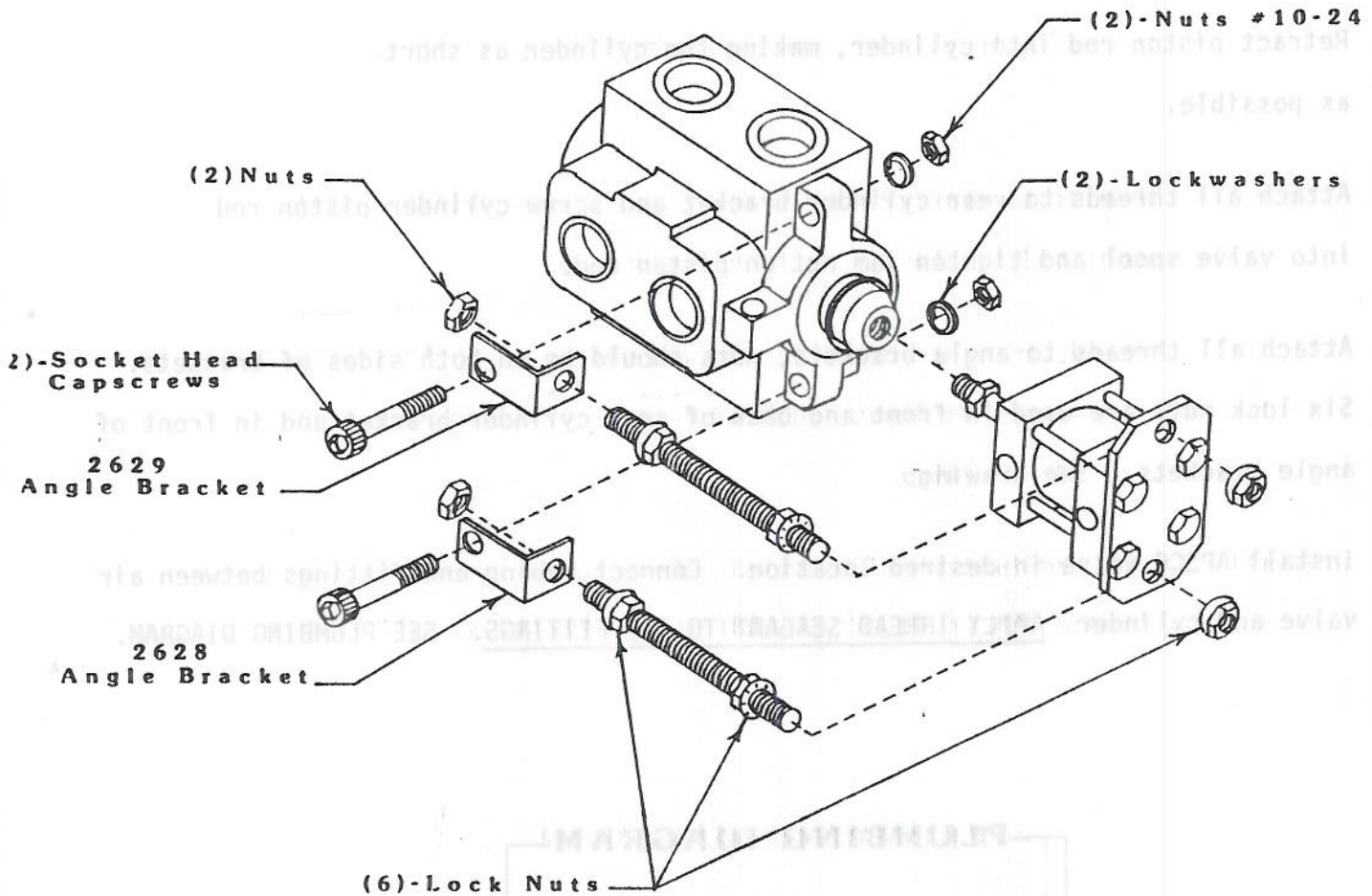
INSTALLATION INSTRUCTIONS

1. Extend valve spool fully toward cylinder mounting side.
2. Attach angle brackets to Gresen valve. To mount angle brackets correctly, see drawing.
3. Retract piston rod into cylinder, making the cylinder as short as possible.
4. Attach all threads to rear cylinder bracket and screw cylinder piston rod into valve spool and tighten jam nut on piston rod.
5. Attach all threads to angle brackets, nuts should be on both sides of brackets. Six lock nuts are used in front and back of rear cylinder bracket and in front of angle brackets. See drawing.
6. Install APSCO valve in desired location. Connect tubing and fittings between air valve and cylinder APPLY THREAD SEALANT TO ALL FITTINGS. SEE PLUMBING DIAGRAM.



APSCO Air Shift Kit HG-75

for
Gresen DS-75 Diverter Valve



AIR POWER SYSTEMS CO., INC.

P.O. BOX 470948 · TULSA, OKLAHOMA 74147 · TELEX 796796-918/622-5600