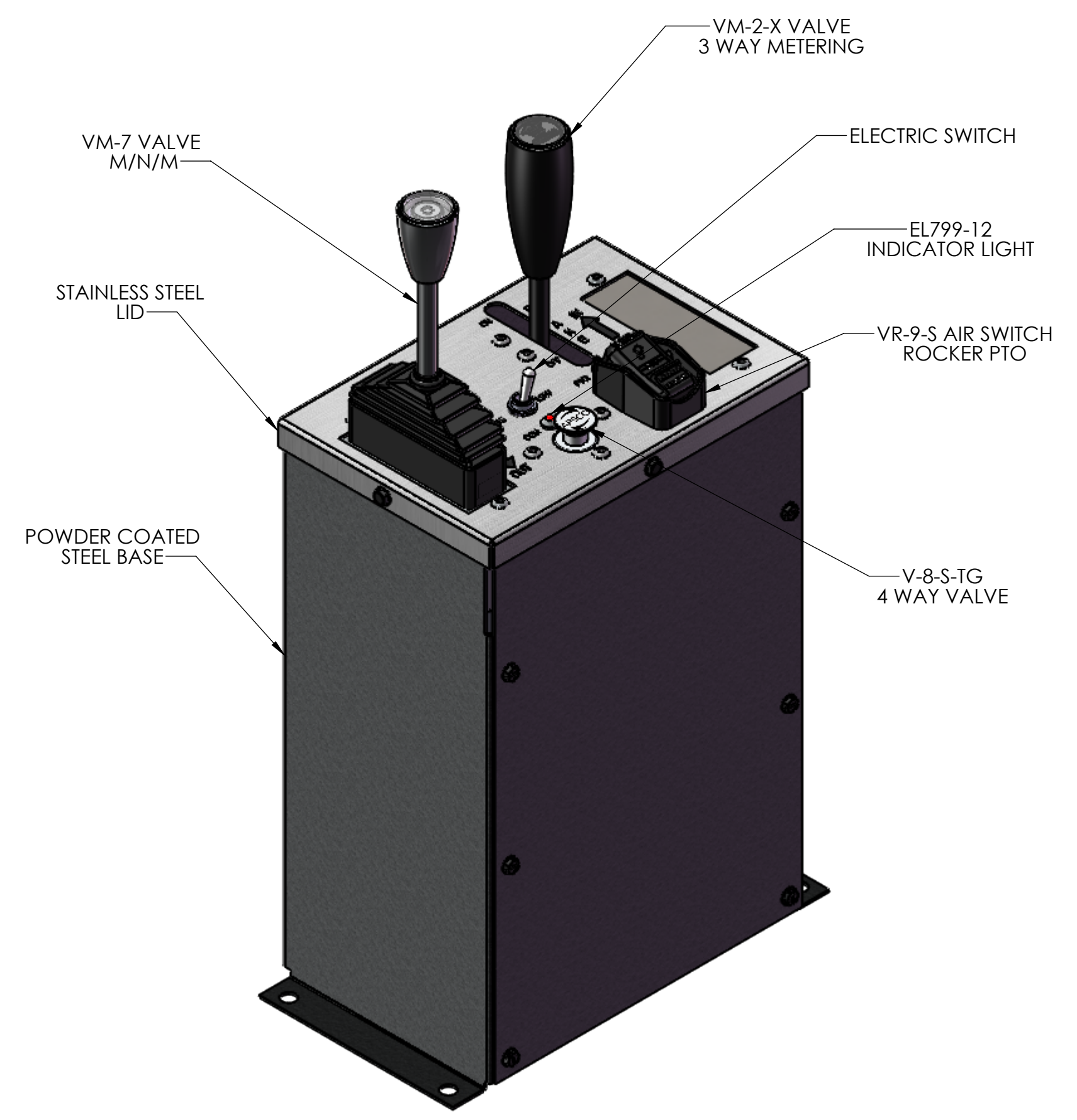
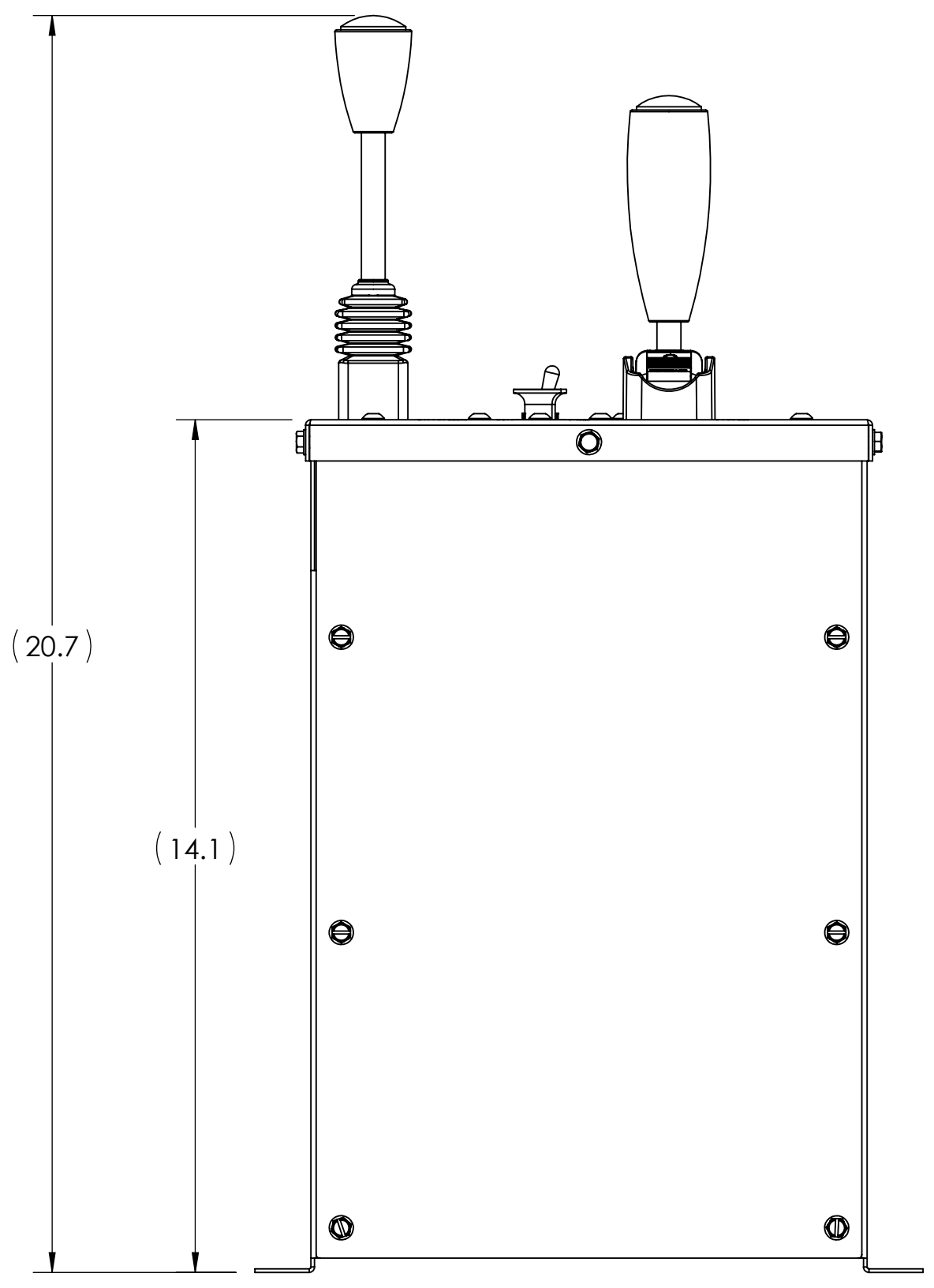
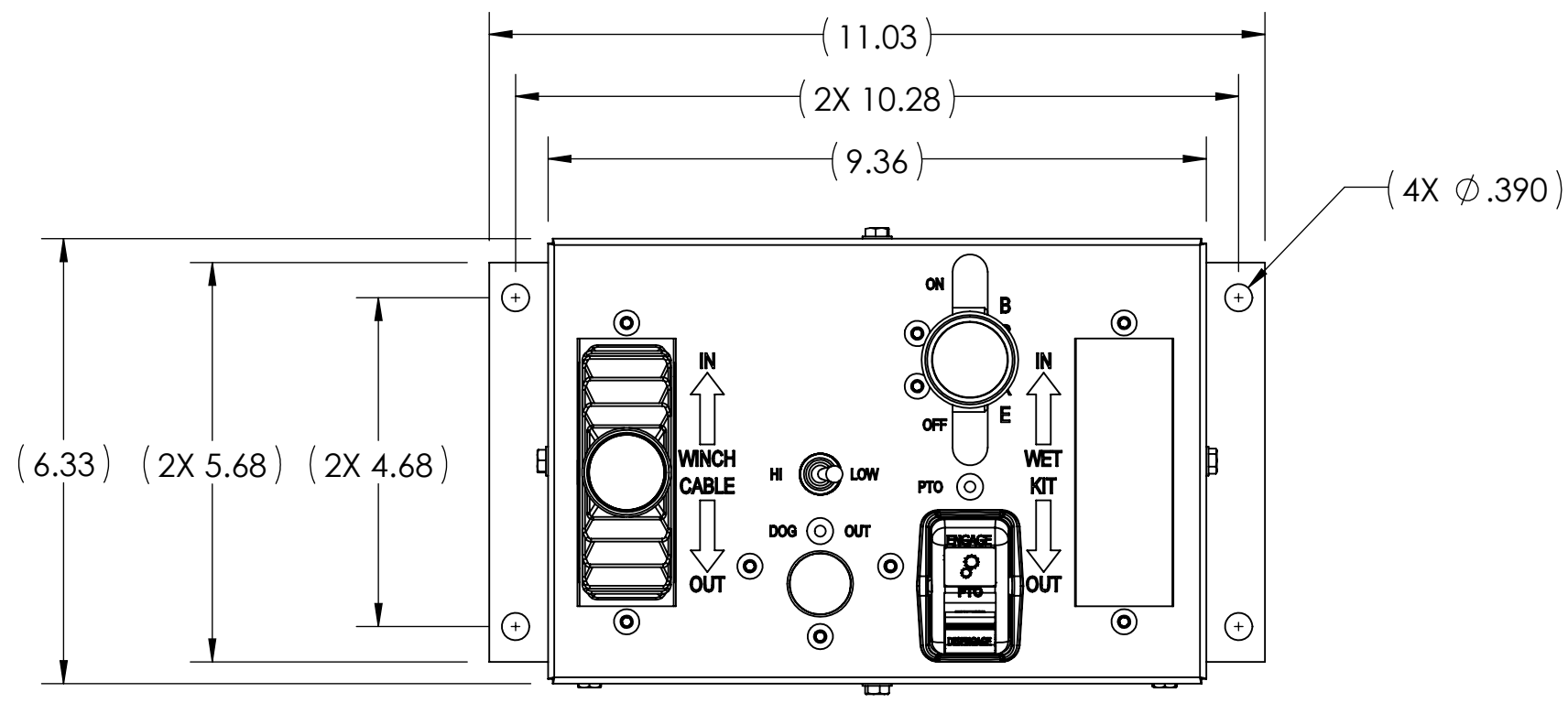


REVISIONS					
ECR	REVISION	DESCRIPTION	CHANGED BY	DATE	APPROVED BY
3515	A	NEW RELEASE	RR	11/7/2017	FH



**PROPRIETARY AND CONFIDENTIAL**  
 THE INFORMATION CONTAINED IN THIS DRAWING IS THE SOLE PROPERTY OF APSCO Inc.. ANY REPRODUCTION IN PART OR AS A WHOLE WITHOUT WRITTEN PERMISSION OF APSCO Inc. IS PROHIBITED.

TYPE OF PROJECTION		MATERIAL
THIRD ANGLE PROJECTION		N/A
DRAWN	DATE	FINISH
RR	11/7/2017	
CHECKED	DATE	
FP	11/7/2017	
APPROVED	DATE	N/A
FH	11/7/2017	
FINAL	DATE	
FH	11/7/2017	

**APSCO**  
 8178 EAST 44TH STREET  
 TULSA, OK 74145  
 (918) 622-5600

TITLE: CONSOLE UNIVERSAL WINCH AUX

DWG. NO. CONV-UNI-20

<b>ASSEMBLY TOLERANCE</b> DO NOT SCALE DRAWING APEN001	SHEET SIZE <b>C</b>	SCALE <b>2:5</b>	REVISION <b>A</b>
--	------------------------	---------------------	----------------------

F/N: CONV-UNI-20 SHT. 1 OF 4