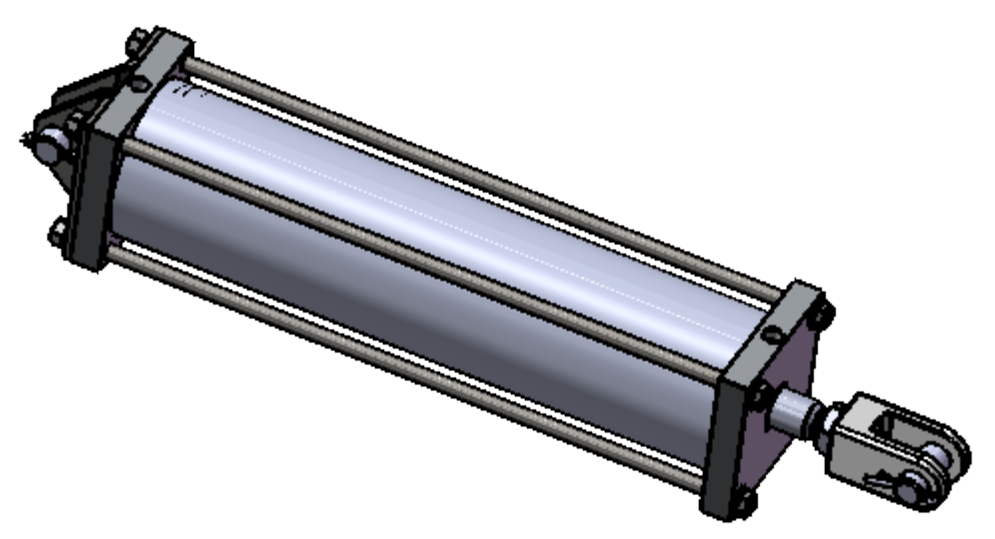
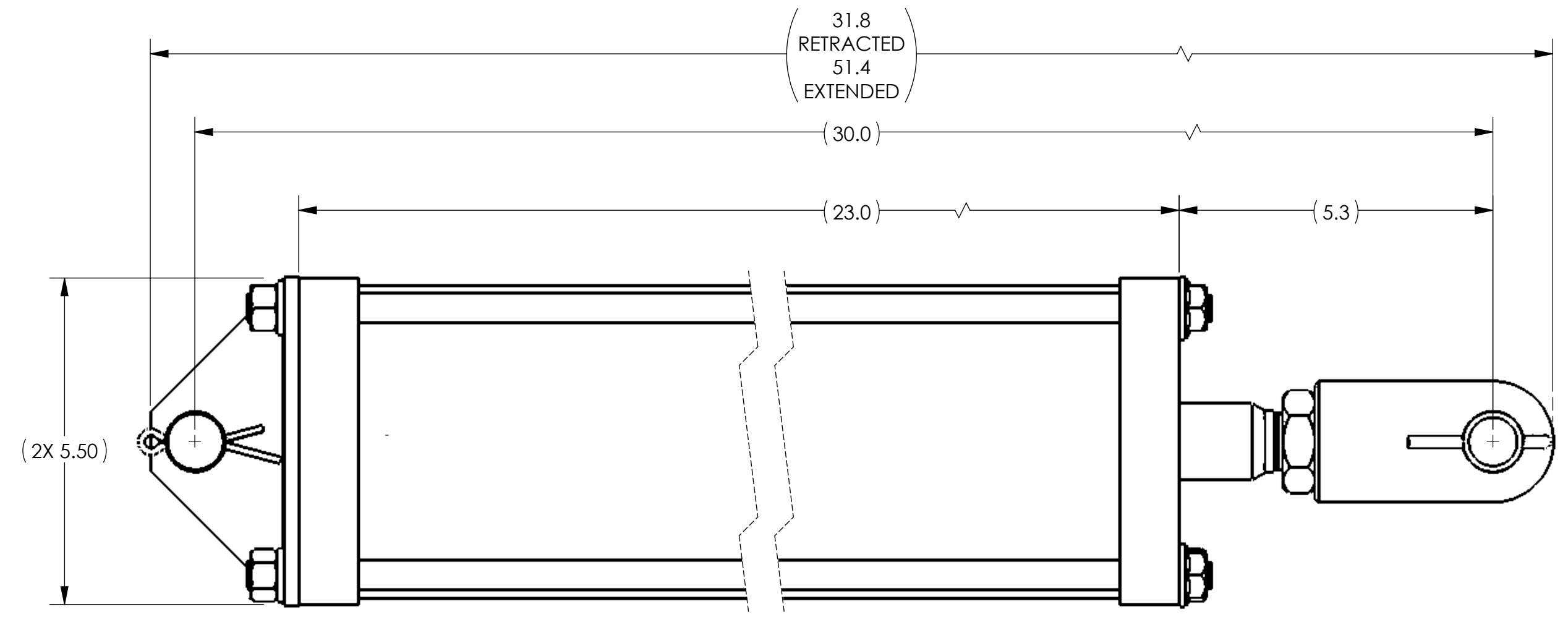
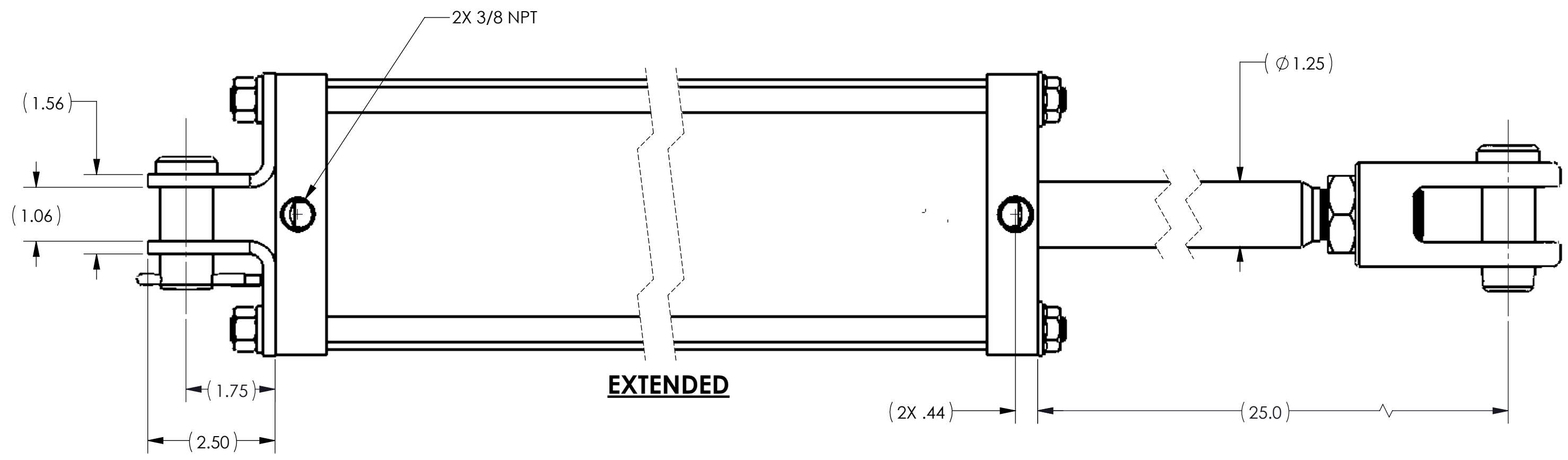
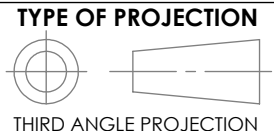


REVISIONS					
ECR	REVISION	DESCRIPTION	CHANGED BY	DATE	APPROVED BY
3401	B	CHANGED 5363 CLEVIS TO 6995 CLEVIS	CB	5/22/2017	FH



PROPRIETARY AND CONFIDENTIAL
 THE INFORMATION CONTAINED IN THIS DRAWING IS THE SOLE PROPERTY OF APSCO Inc.. ANY REPRODUCTION IN PART OR AS A WHOLE WITHOUT WRITTEN PERMISSION OF APSCO Inc. IS PROHIBITED.

TYPE OF PROJECTION		MATERIAL
 THIRD ANGLE PROJECTION		N/A
DRAWN	DATE	FINISH
AW	4/27/2017	
CHECKED	DATE	
FP	4/27/2017	
APPROVED	DATE	N/A
FH	4/27/2017	
FINAL	DATE	
FH	4/27/2017	

APSCO
 8178 EAST 44TH STREET
 TULSA, OK 74145
 (918) 622-5600

TITLE: CYL 5 X 19.7 DA 16 BR PK - 1"
 PIN

DWG. NO. C-8120-PK-1

ASSEMBLY TOLERANCE DO NOT SCALE DRAWING APEN001	SHEET SIZE C	SCALE 1:2	REVISION B
--	------------------------	--------------	----------------------

F/N: C-8120-PK-1-1 SHT. 2 OF 2