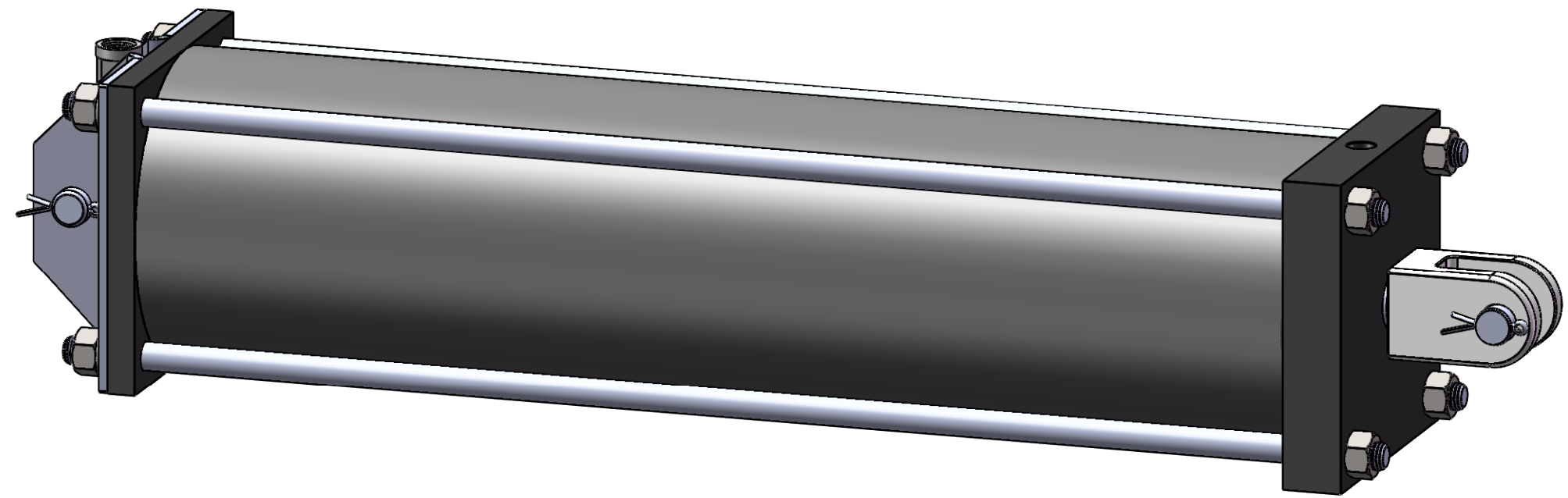
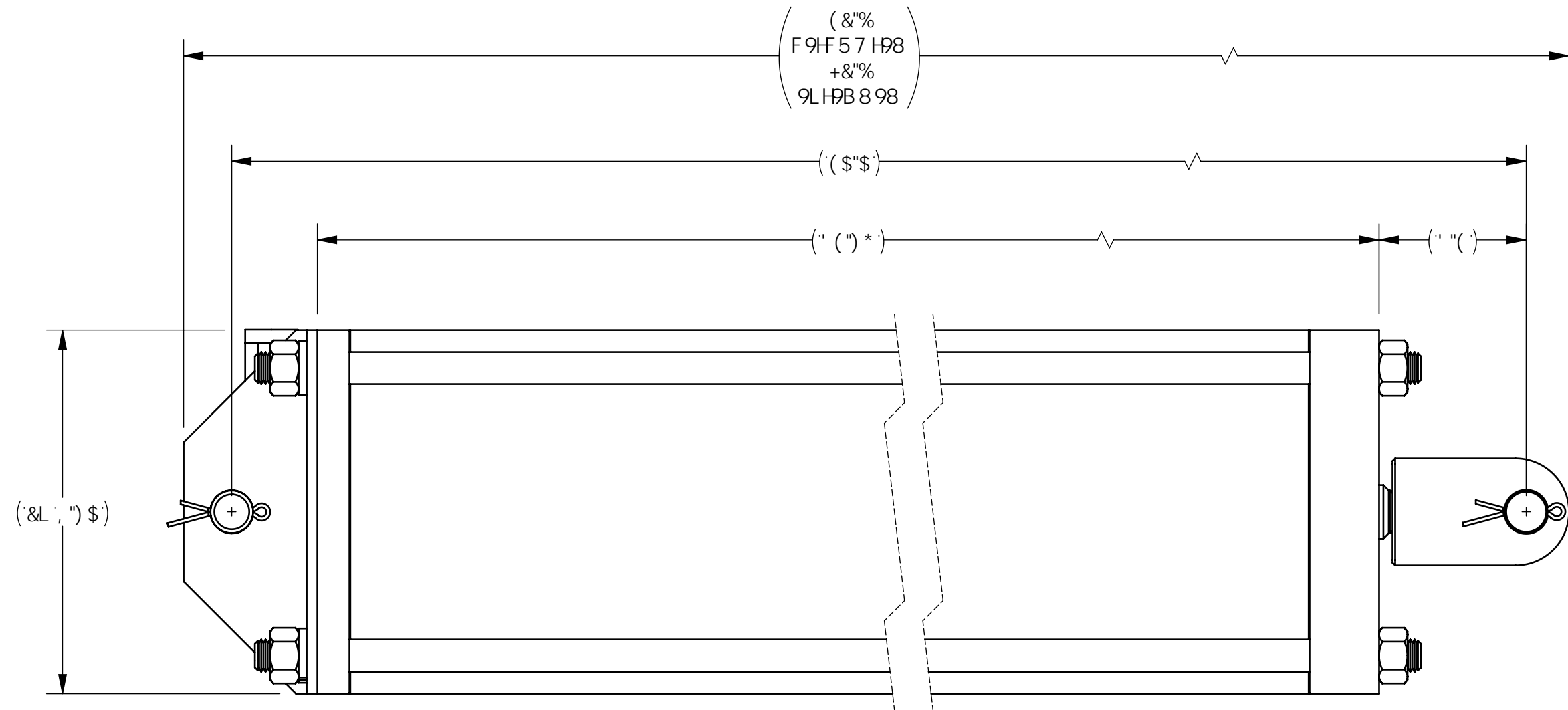
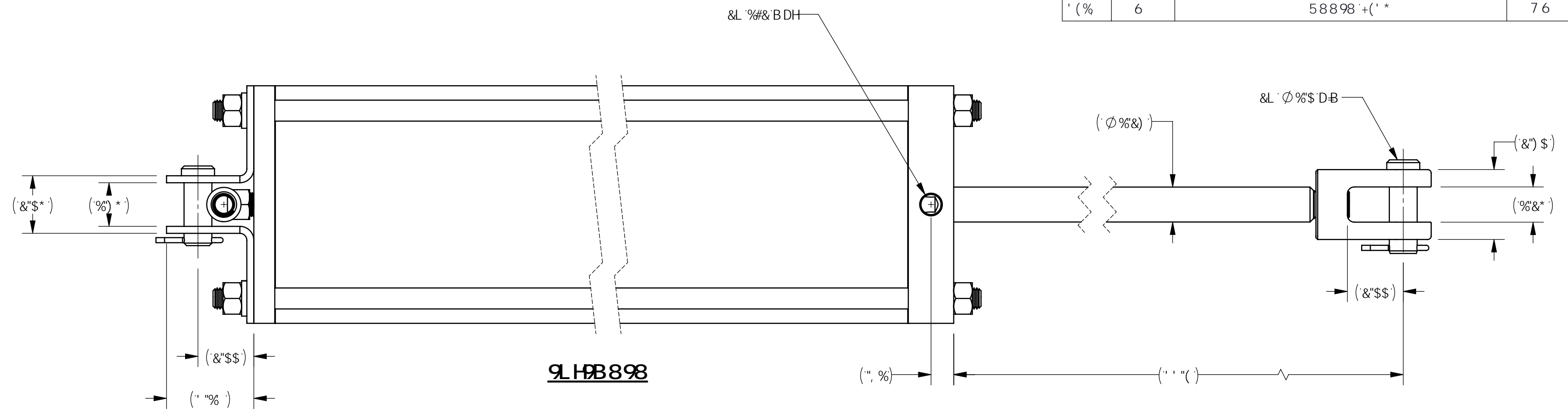


F9J-6C B					
97 F	F9J-6C B	89G7 F-4HC B	7-5B: 98 6M	85HP	5DDFCJ 98 6M
(%)	6	58898 +(*)	76	*#-#&\$%+	:<



5 DG7 C <small>%, '95 GH((H<'GHF99H HI @5ZC?'+(%) ft %L* &@) *\$\$</small>	
H#99 7 M@, 'L" \$'85 %'6F'D? '%7 C A D 8K ; "BC"	
7!-, ' \$!7!D?!%	
5DG9A 6@MHC @F5B79 <small>8C BCHG7 5@98F5K B: 5D9B\$\$\$</small>	G<99HG@9 G7 5 @9 Ô FKI 6
#B: 7!-, ' \$!7!D?!%	G<H&C: &