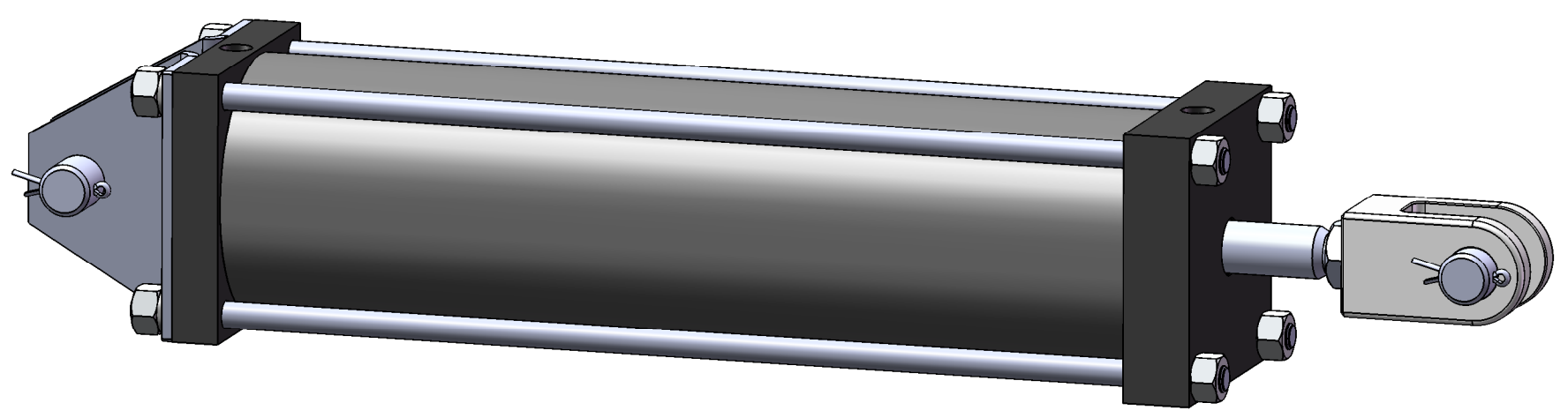
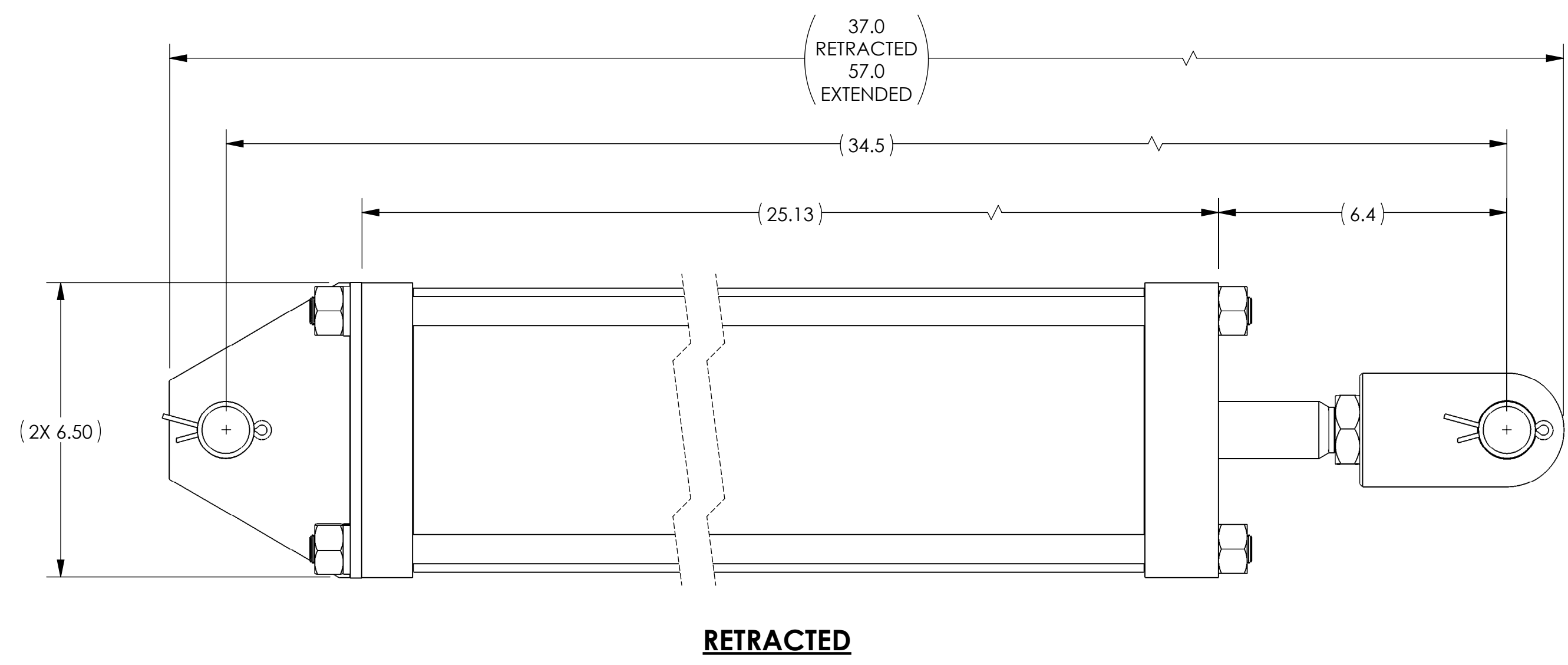
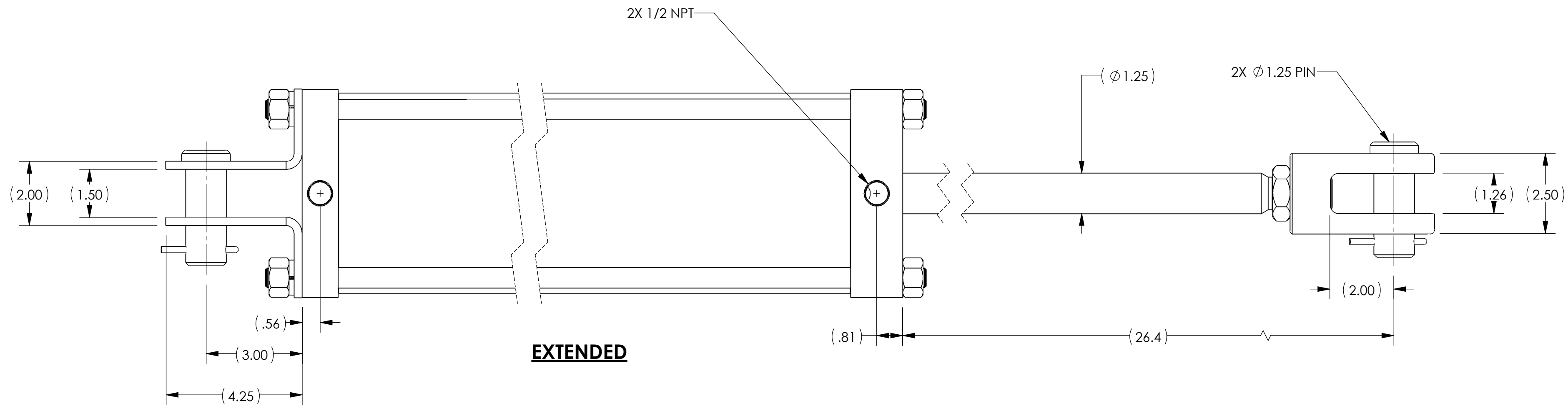


REVISIONS					
ECR	REVISION	DESCRIPTION	CHANGED BY	DATE	APPROVED BY
3278	A	NEW RELEASE	RR	11/21/2016	FH



**PROPRIETARY AND CONFIDENTIAL**  
THE INFORMATION CONTAINED IN THIS DRAWING IS THE SOLE PROPERTY OF APSCO Inc.. ANY REPRODUCTION IN PART OR AS A WHOLE WITHOUT WRITTEN PERMISSION OF APSCO Inc. IS PROHIBITED.

TYPE OF PROJECTION		MATERIAL
THIRD ANGLE PROJECTION		N/A
DRAWN	DATE	FINISH
RR	11/21/2016	
CHECKED	DATE	
DJ	11/21/2016	
APPROVED	DATE	N/A
FH	11/21/2016	
FINAL	DATE	
FH	11/21/2016	

**APSCO**  
8178 EAST 44TH STREET  
TULSA, OK 74145  
(918) 622-5600

TITLE: CYL 6 X 20 DA 16 BR PK COMP

DWG. NO. C-9620-C-PK

<b>ASSEMBLY TOLERANCE</b> DO NOT SCALE DRAWING APEN001	SHEET SIZE <b>C</b>	SCALE <b>2:5</b>	REVISION <b>A</b>
--	------------------------	---------------------	----------------------

F/N: C-9620-C-PK SHT. 2 OF 2