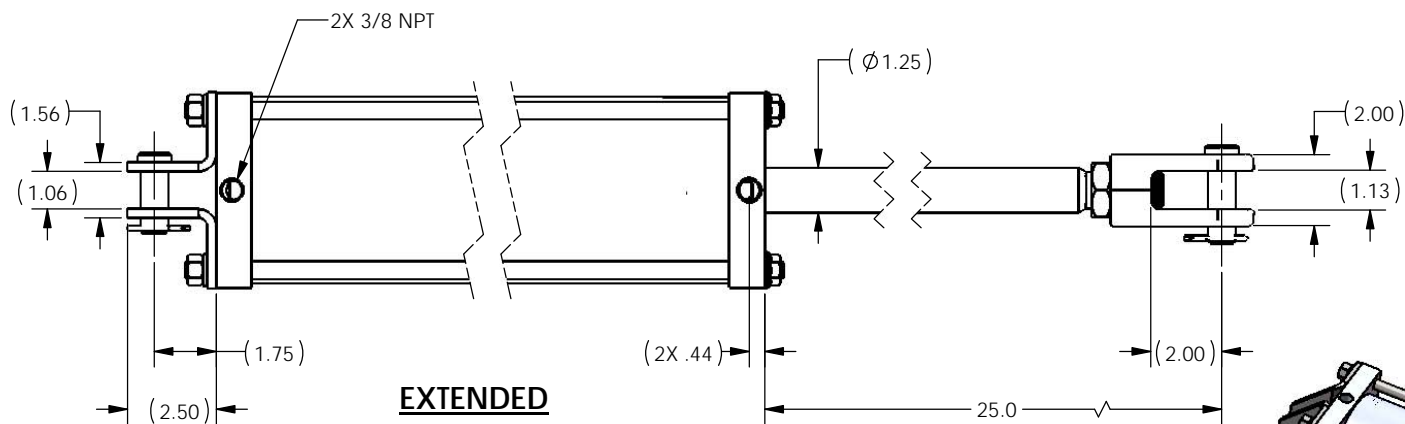
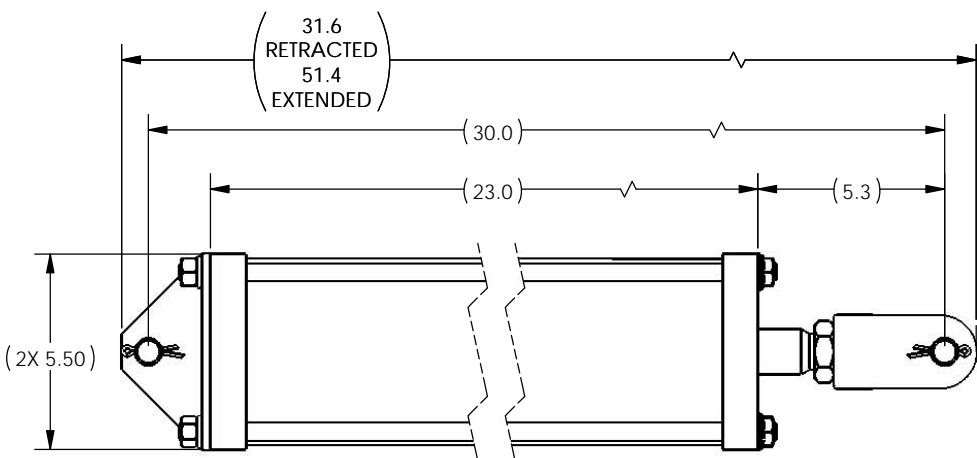


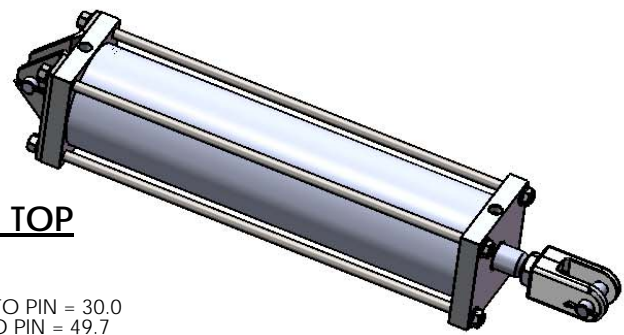
REVISIONS				
ECR	REV.	DESCRIPTION	DATE	CHG BY
E2985	C	See Sheet1	2/2/2016	RR



EXTENDED

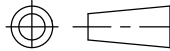


RETRACTED



PORTS ON TOP

BORE = $\varnothing 5.0$
 STROKE = 19.7
 RETRACTED PIN TO PIN = 30.0
 EXTENDED PIN TO PIN = 49.7
 ADJUSTMENT = +.30
 EXTENSION FORCE @ 100 PSI = 1963 LBS
 RETRACT FORCE @ 100 PSI = 1841 LBS

<p>ASSEMBLY DO NOT SCALE DRAWING UNLESS OTHERWISE SPECIFIED DIMENSIONS ARE IN INCHES TOLERANCES ARE:</p> <p>.X = ± 0.06 .XX = ± 0.03 .XXX = ± 0.010</p> <p>ANGLES = $\pm 2^\circ$</p> <p>6.3 SURFACE TEXTURE OR BETTER</p> <p>TYPE OF PROJECTION  THIRD ANGLE PROJECTION SHEET SIZE B</p>	<p>PROPRIETARY AND CONFIDENTIAL THE INFORMATION CONTAINED IN THIS DRAWING IS THE SOLE PROPERTY OF APSCO Inc.. ANY REPRODUCTION IN PART OR AS A WHOLE WITHOUT WRITTEN PERMISSION OF APSCO Inc. IS PROHIBITED.</p>		<p>TITLE: CYL 5 X 20 DA 16 BR PK</p>	
	<p>DRAWN RR</p>		<p>DATE 2/2/2016</p>	
	<p>CHECKED DJ</p>		<p>DATE 2/2/2016</p>	
	<p>APPROVED FH</p>		<p>DATE 2/2/2016</p>	
<p>FINAL FH</p>		<p>DATE 2/2/2016</p>		<p>DWG. NO. C-8120-PK</p>
<p>MATERIAL N/A</p>		<p>FINISH N/A</p>		<p>REV C</p>
<p>F/N: C-8120-PK</p>				