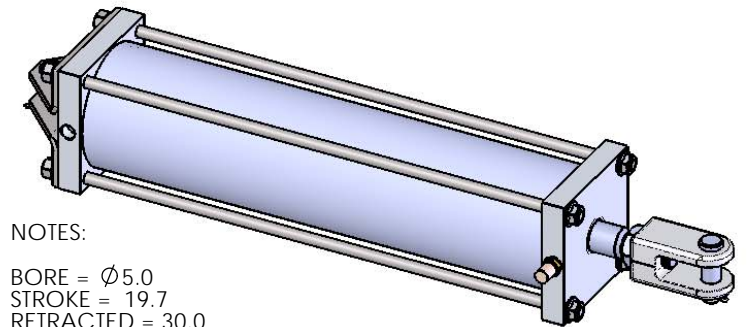
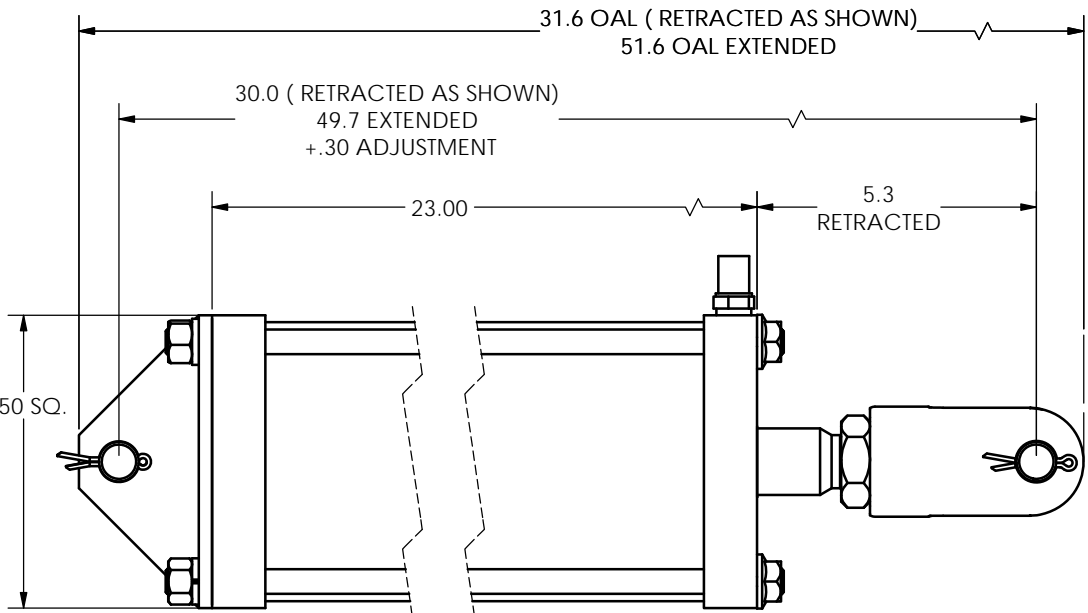
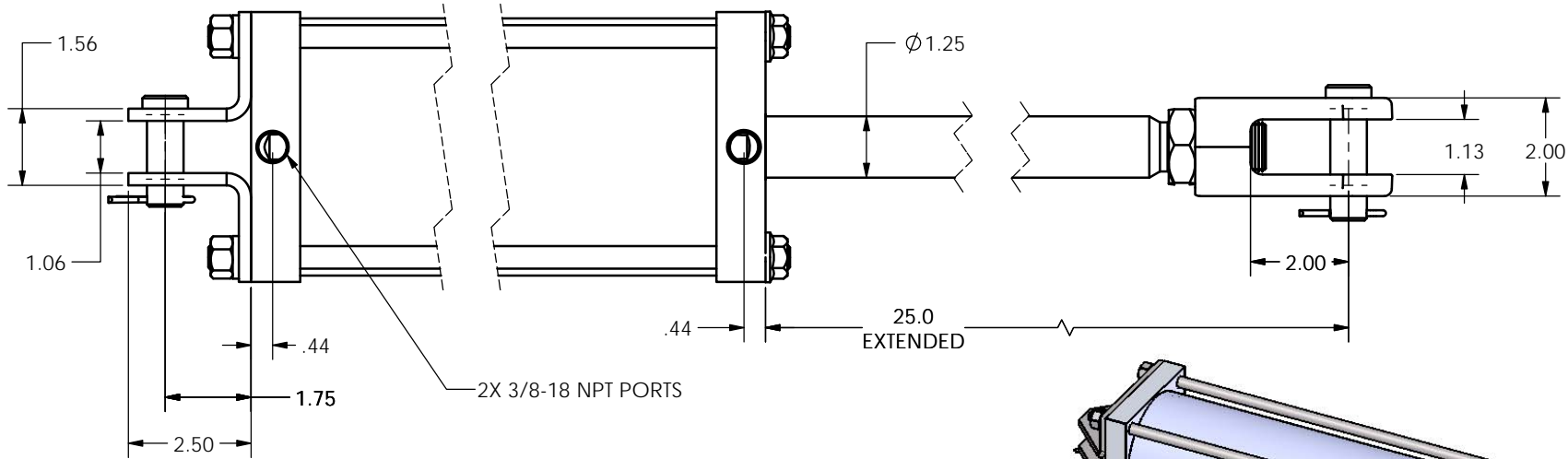
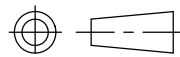



REVISIONS				
ECR	REV.	DESCRIPTION	DATE	APPROVED
E2301	B	See Sheet1	10/03/2013	JUMPER



NOTES:
 BORE = Ø5.0
 STROKE = 19.7
 RETRACTED = 30.0
 EXTENDED = 49.7
 EXTENSION FORCE @ 100PSI= 1963 LBS
 RETRACT FORCE @ 100PSI= 1841 LBS

PORTS ON TOP

TYPE OF PROJECTION  THIRD ANGLE PROJECTION	DO NOT SCALE DRAWING UNLESS OTHERWISE SPECIFIED DIMENSIONS ARE IN INCHES TOLERANCES ARE: DECIMALS X = ±.03 XX = ±.010 XXX = ±.005 FRACTION = ±.015 ANGLES = ±1/2°	 8178 EAST 44TH STREET TULSA, OK 74145	
		TITLE: CYL 5 X 19.7 DA 16 BR PK MUF	
PROPRIETARY AND CONFIDENTIAL THE INFORMATION CONTAINED IN THIS DRAWING IS THE SOLE PROPERTY OF APSCO Inc. ANY REPRODUCTION IN PART OR AS A WHOLE WITHOUT WRITTEN PERMISSION OF APSCO Inc. IS PROHIBITED.	SURFACE TEXTURE OR BETTER MATERIAL: N/A	DWG. NO. C-8120-PK-M	
	FINISH: N/A	SIZE B	DRAWN: KET
F/N: C-8000 SERIES MASTER			REV B CLASS: CYL