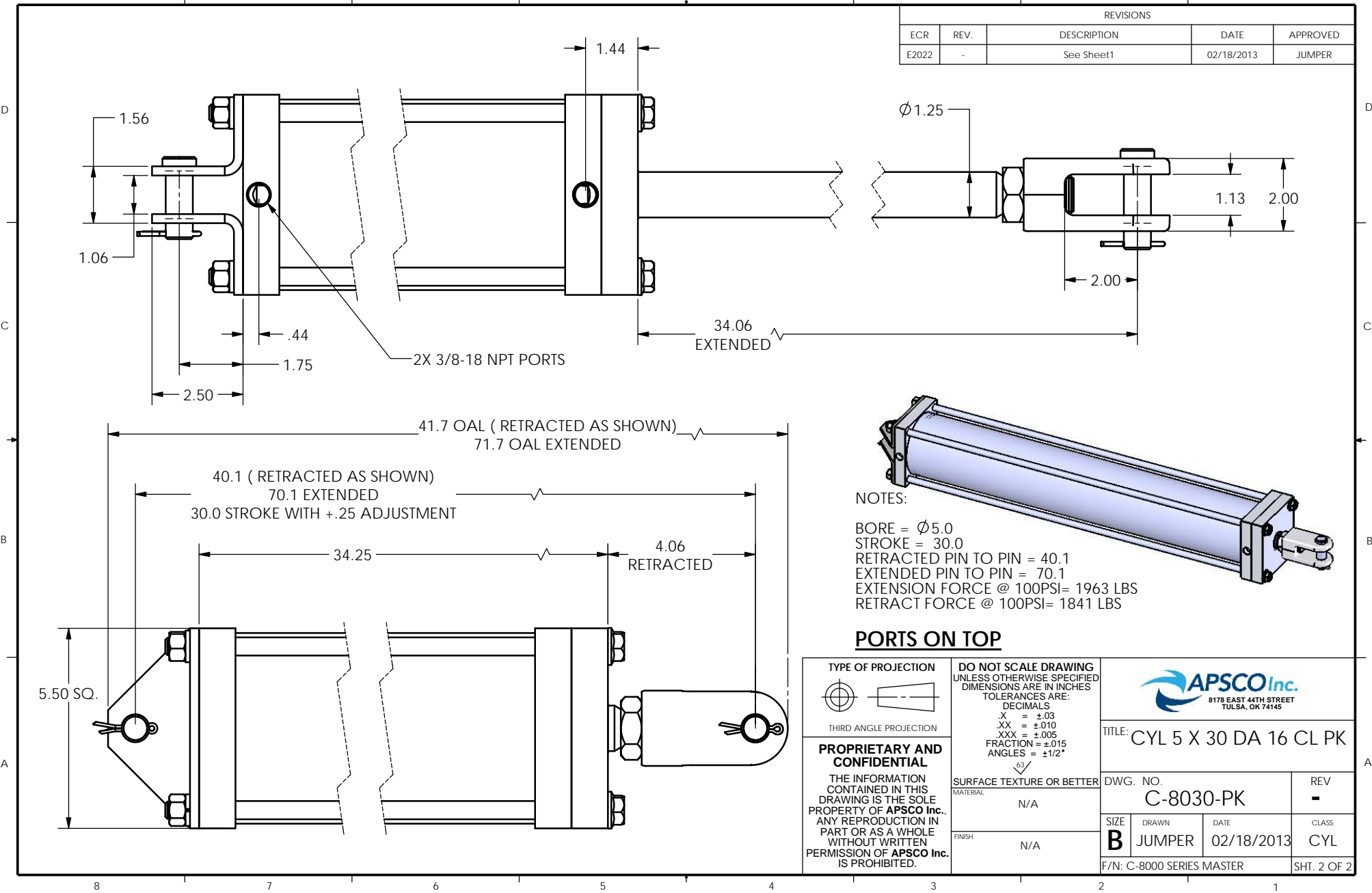


REVISIONS				
ECR	REV.	DESCRIPTION	DATE	APPROVED
E2022	-	See Sheet1	02/18/2013	JUMPER



NOTES:

- BORE = $\varnothing 5.0$
- STROKE = 30.0
- RETRACTED PIN TO PIN = 40.1
- EXTENDED PIN TO PIN = 70.1
- EXTENSION FORCE @ 100PSI= 1963 LBS
- RETRACT FORCE @ 100PSI= 1841 LBS

PORTS ON TOP

<p>TYPE OF PROJECTION</p> <p>THIRD ANGLE PROJECTION</p>	<p>DO NOT SCALE DRAWING UNLESS OTHERWISE SPECIFIED DIMENSIONS ARE IN INCHES</p> <p>TOLERANCES ARE:</p> <p>DECIMALS X = ±.03 XX = ±.010 XXX = ±.005</p> <p>FRACTION = ±.015 ANGLES = ±1/2°</p>	<p>8178 EAST 44TH STREET TULSA, OK 74145</p>	
<p>PROPRIETARY AND CONFIDENTIAL</p> <p>THE INFORMATION CONTAINED IN THIS DRAWING IS THE SOLE PROPERTY OF APSCO Inc. ANY REPRODUCTION IN PART OR AS A WHOLE WITHOUT WRITTEN PERMISSION OF APSCO Inc. IS PROHIBITED.</p>	<p>FINISH N/A</p>	<p>REV -</p>	<p>CLASS CYL</p>
	<p>F/N: C-8000 SERIES MASTER</p>		<p>SHT. 2 OF 2</p>