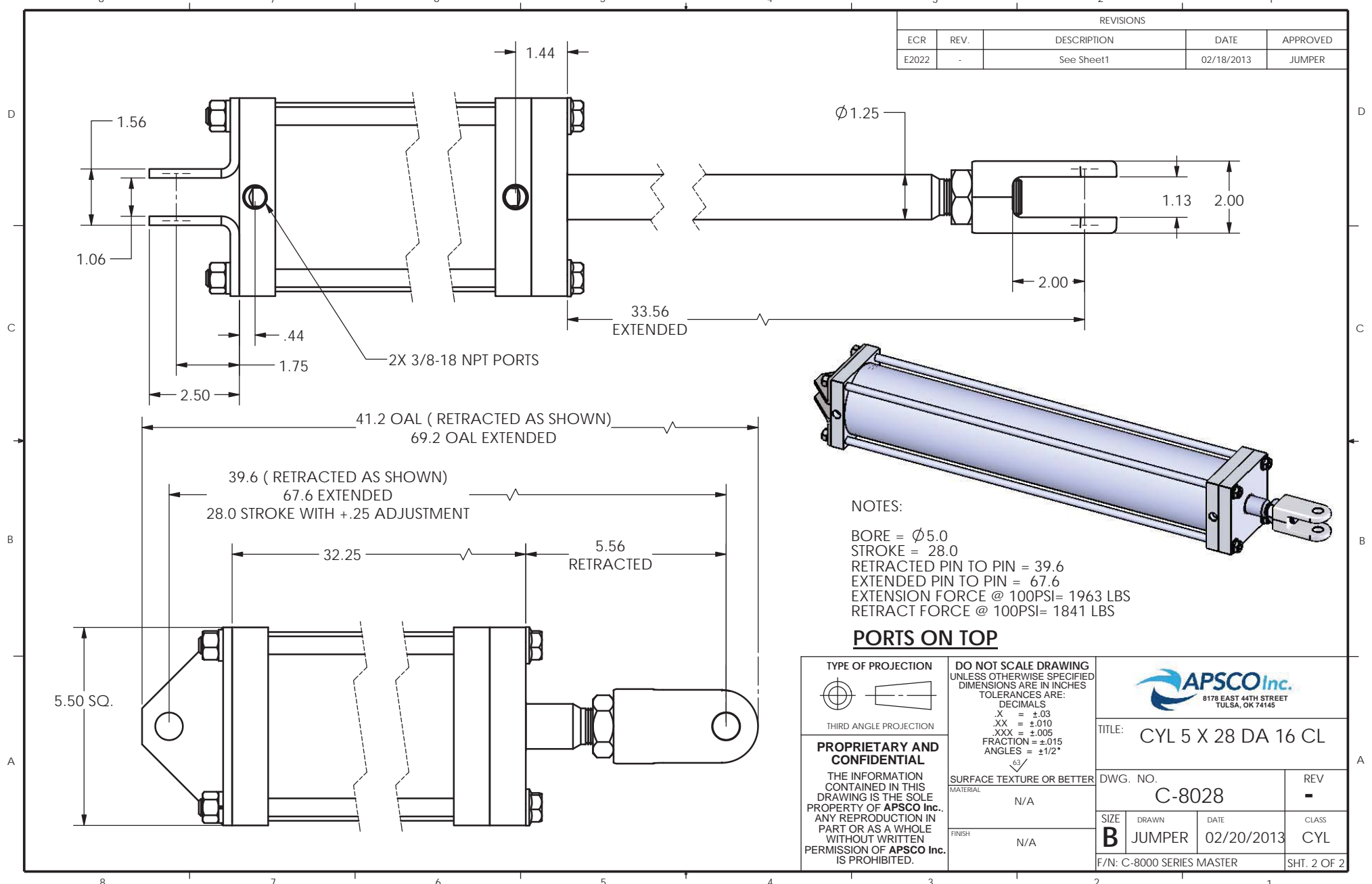
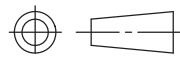



REVISIONS				
ECR	REV.	DESCRIPTION	DATE	APPROVED
E2022	-	See Sheet1	02/18/2013	JUMPER



NOTES:
 BORE = Ø 5.0
 STROKE = 28.0
 RETRACTED PIN TO PIN = 39.6
 EXTENDED PIN TO PIN = 67.6
 EXTENSION FORCE @ 100PSI= 1963 LBS
 RETRACT FORCE @ 100PSI= 1841 LBS

PORTS ON TOP

TYPE OF PROJECTION  THIRD ANGLE PROJECTION	DO NOT SCALE DRAWING UNLESS OTHERWISE SPECIFIED DIMENSIONS ARE IN INCHES TOLERANCES ARE: DECIMALS X = ±.03 .XX = ±.010 .XXX = ±.005 FRACTION = ±.015 ANGLES = ±1/2°	 8178 EAST 44TH STREET TULSA, OK 74145	
		TITLE: CYL 5 X 28 DA 16 CL	
PROPRIETARY AND CONFIDENTIAL THE INFORMATION CONTAINED IN THIS DRAWING IS THE SOLE PROPERTY OF APSCO Inc.. ANY REPRODUCTION IN PART OR AS A WHOLE WITHOUT WRITTEN PERMISSION OF APSCO Inc. IS PROHIBITED.	SURFACE TEXTURE OR BETTER MATERIAL N/A	DWG. NO.	REV
	FINISH N/A	B	C-8028 JUMPER 02/20/2013
F/N: C-8000 SERIES MASTER			SHT. 2 OF 2