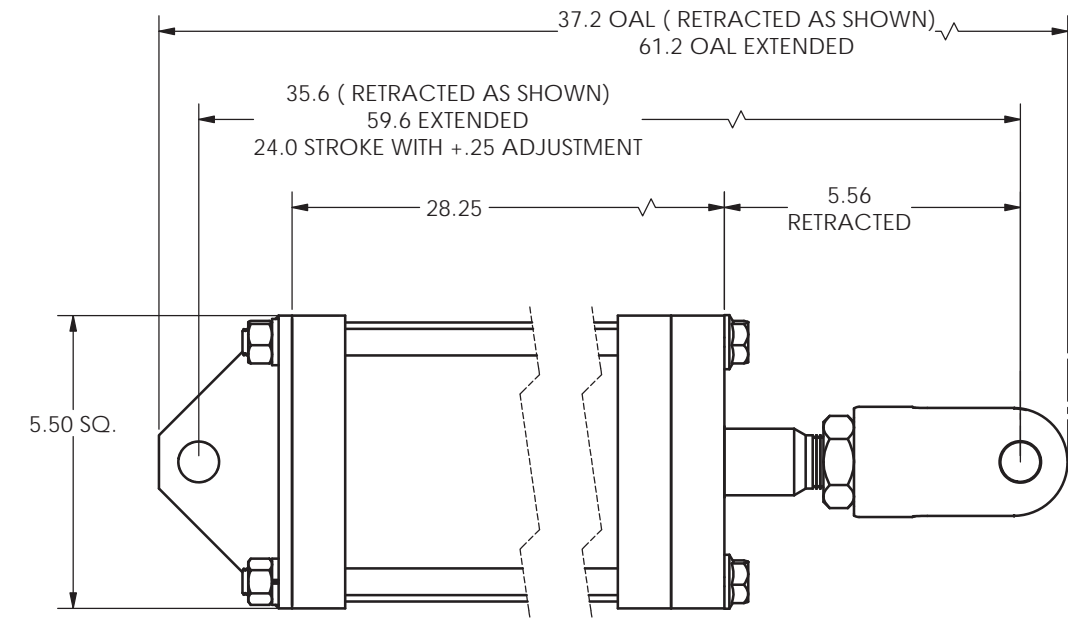
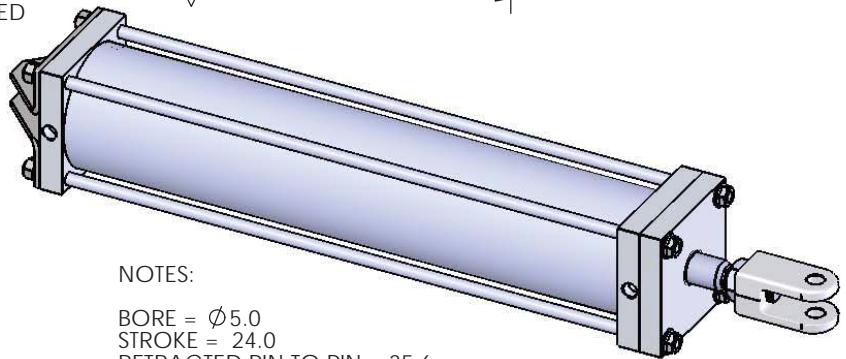
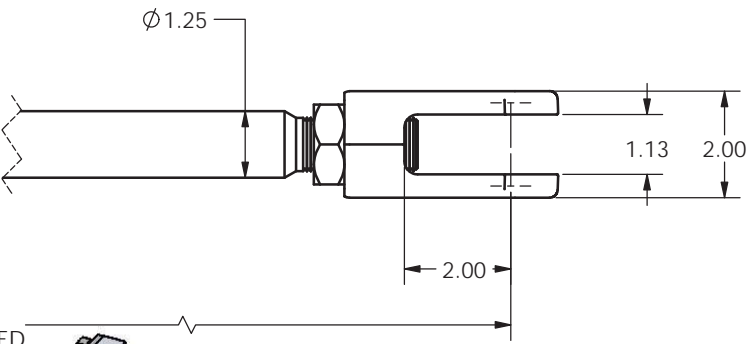
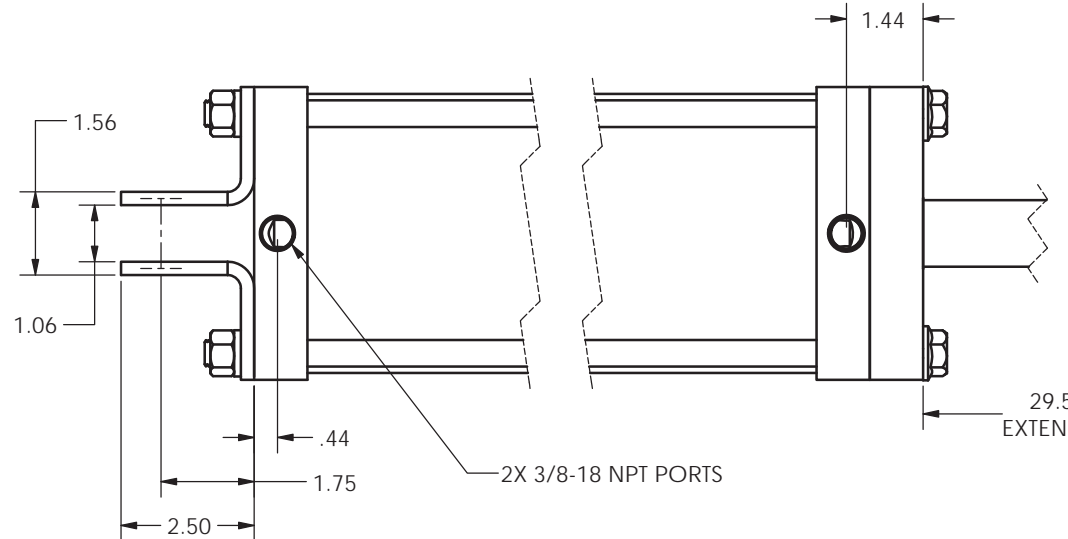
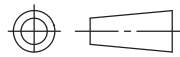



REVISIONS				
ECR	REV.	DESCRIPTION	DATE	APPROVED
E2017	-	See Sheet1	02/18/2013	JUMPER



NOTES:
 BORE = ϕ 5.0
 STROKE = 24.0
 RETRACTED PIN TO PIN = 35.6
 EXTENDED PIN TO PIN = 59.6
 EXTENSION FORCE @ 100PSI= 1963 LBS
 RETRACT FORCE @ 100PSI= 1841 LBS

PORTS ON TOP

TYPE OF PROJECTION  THIRD ANGLE PROJECTION	DO NOT SCALE DRAWING UNLESS OTHERWISE SPECIFIED DIMENSIONS ARE IN INCHES TOLERANCES ARE: DECIMALS X = \pm .03 .XX = \pm .010 .XXX = \pm .005 FRACTION = \pm .015 ANGLES = \pm 1/2°	 8178 EAST 44TH STREET TULSA, OK 74145	
		TITLE: CYL 5 X 24 DA 16 BR	
PROPRIETARY AND CONFIDENTIAL THE INFORMATION CONTAINED IN THIS DRAWING IS THE SOLE PROPERTY OF APSCO Inc.. ANY REPRODUCTION IN PART OR AS A WHOLE WITHOUT WRITTEN PERMISSION OF APSCO Inc. IS PROHIBITED.	SURFACE TEXTURE OR BETTER MATERIAL N/A	DWG. NO. C-8024	
	FINISH N/A	SIZE B	DRAWN JUMPER
F/N: C-8000 SERIES MASTER			CLASS CYL
SHT. 2 OF 2			REV -