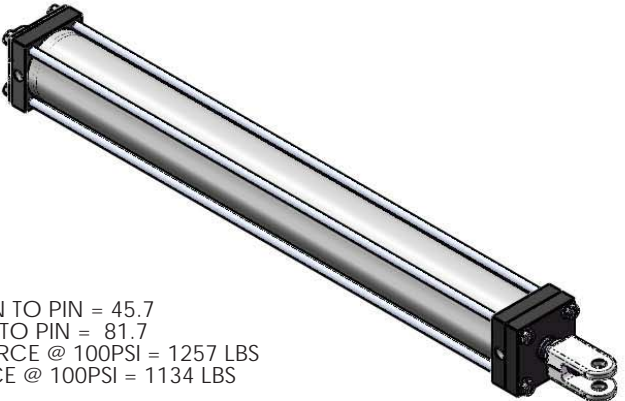
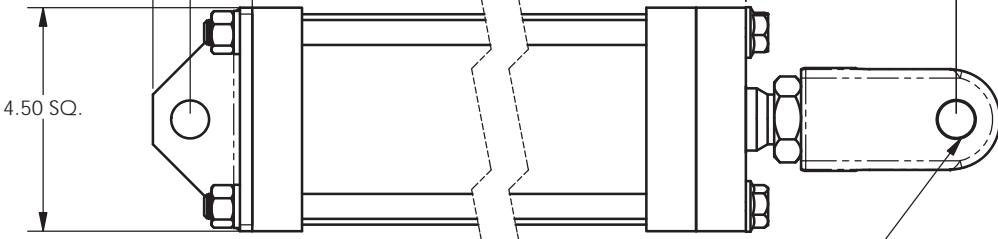
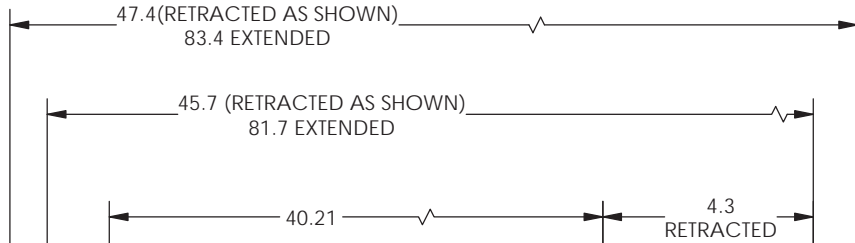
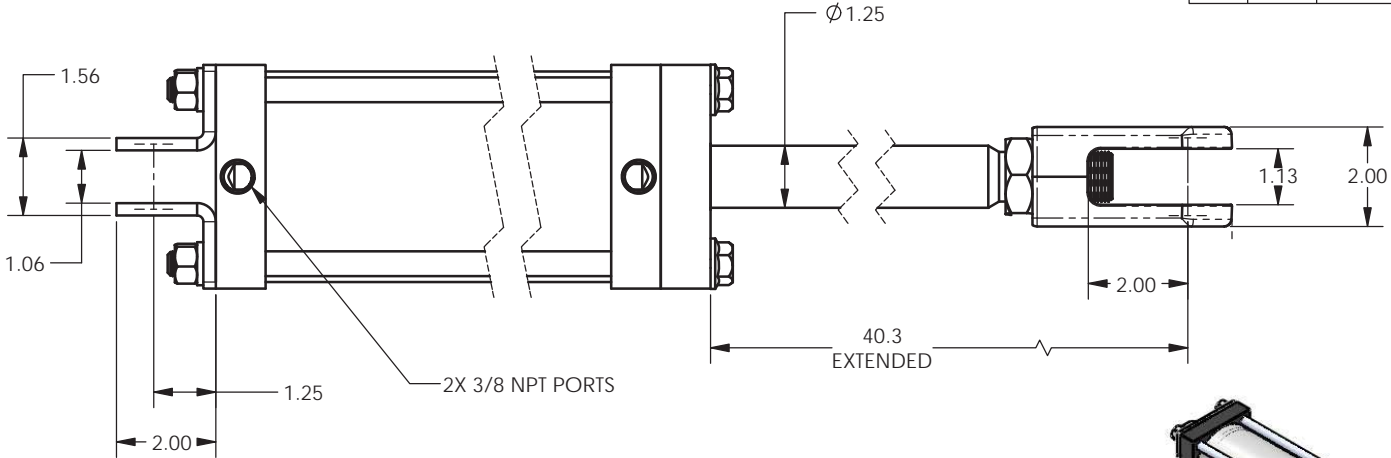


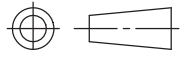

8 7 6 5 4 3 2 1

REVISIONS				
ECR	REV.	DESCRIPTION	DATE	CHG BY
E2139	B	See Sheet1	05/03/2013	JUMPER



NOTES:  
 BORE =  $\phi$  4.0"  
 STROKE = 36  
 RETRACTED PIN TO PIN = 45.7  
 EXTENDED PIN TO PIN = 81.7  
 EXTENSION FORCE @ 100PSI = 1257 LBS  
 RETRACT FORCE @ 100PSI = 1134 LBS

**PORTS ON TOP**

TYPE OF PROJECTION  THIRD ANGLE PROJECTION	DO NOT SCALE DRAWING UNLESS OTHERWISE SPECIFIED DIMENSIONS ARE IN INCHES TOLERANCES ARE: DECIMALS .X = $\pm$ .03 .XX = $\pm$ .010 .XXX = $\pm$ .005 FRACTION = $\pm$ .015 ANGLES = $\pm$ 1/2°	 8178 EAST 44TH STREET TULSA, OK 74145	
PROPRIETARY AND CONFIDENTIAL THE INFORMATION CONTAINED IN THIS DRAWING IS THE SOLE PROPERTY OF APSCO Inc.. ANY REPRODUCTION IN PART OR AS A WHOLE WITHOUT WRITTEN PERMISSION OF APSCO Inc. IS PROHIBITED.	SURFACE TEXTURE OR BETTER MATERIAL N/A FINISH N/A	TITLE: CYL 4 X 36 DA 16 BR DWG. NO. C-7436 REV B CLASS	
F/N: C-7000 SERIES		SIZE B DRAWN JUMPER DATE 03/05/2013	REV B CLASS SHT. 2 OF 2

8 7 6 5 4 3 2 1