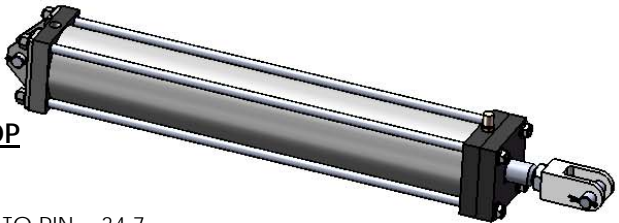
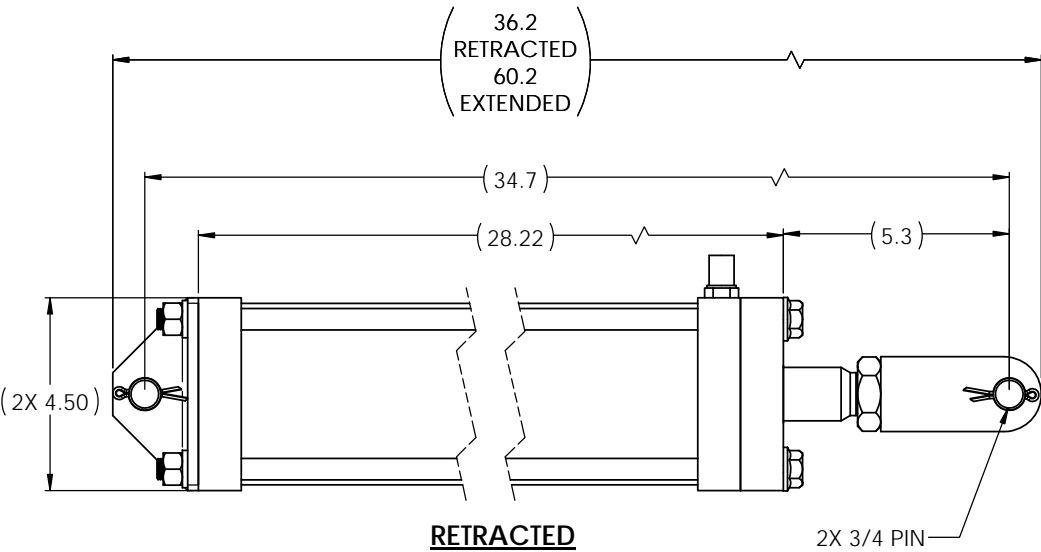
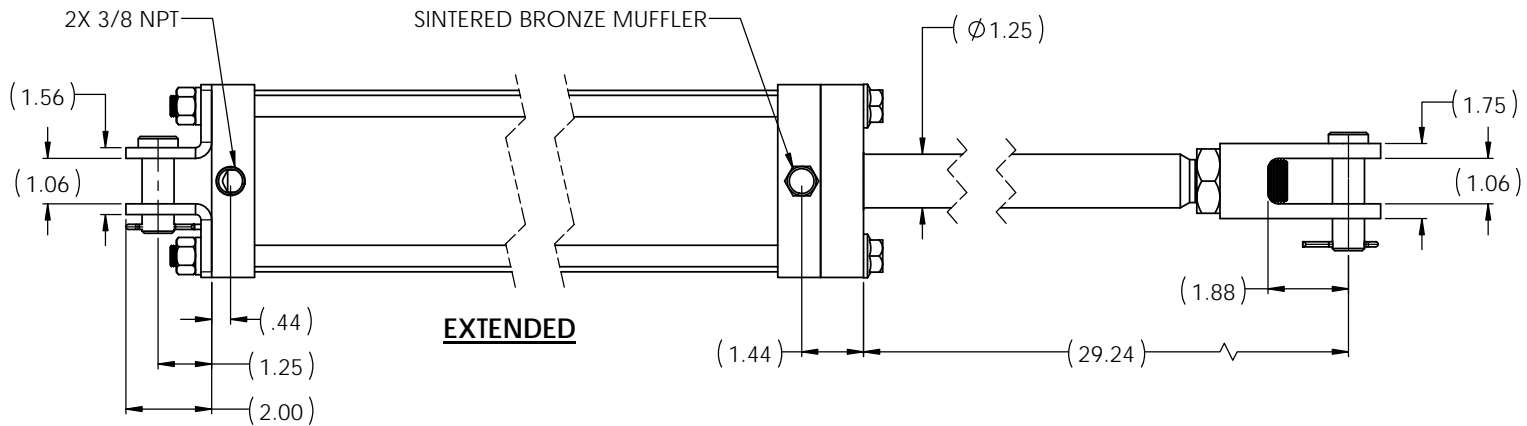
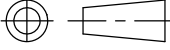



REVISIONS				
ECR	REV.	DESCRIPTION	DATE	CHG BY
E3016	B	See Sheet1	3/11/2016	RR



PORTS ON TOP

BORE = $\phi 4.0"$
 STROKE = 24.0
 RETRACTED PIN TO PIN = 34.7
 EXTENDED PIN TO PIN = 58.7
 EXTENSION FORCE @ 100PSI = 1257 LBS
 RETRACT FORCE @ 100PSI = 1134 LBS

<p>ASSEMBLY DO NOT SCALE DRAWING UNLESS OTHERWISE SPECIFIED DIMENSIONS ARE IN INCHES TOLERANCES ARE:</p> <p>X = ± 0.06 XX = ± 0.03 XXX = ± 0.010</p> <p>ANGLES = $\pm 2^\circ$</p> <p>6.3 SURFACE TEXTURE OR BETTER</p> <p>TYPE OF PROJECTION</p>  <p>THIRD ANGLE PROJECTION</p> <p>SHEET SIZE B</p>	<p>PROPRIETARY AND CONFIDENTIAL THE INFORMATION CONTAINED IN THIS DRAWING IS THE SOLE PROPERTY OF APSCO Inc.. ANY REPRODUCTION IN PART OR AS A WHOLE WITHOUT WRITTEN PERMISSION OF APSCO Inc. IS PROHIBITED.</p> <p>DRAWN RR DATE 3/5/2013</p> <p>CHECKED DJ DATE 3/5/2013</p> <p>APPROVED FH DATE 3/7/2016</p> <p>FINAL FH DATE 3/7/2016</p>	TITLE: CYL 4 X 24 DA 16 BR PK MUF	
		DWG. NO. C-7424-PK-M	
		MATERIAL N/A	FINISH N/A
		 <p>8175 EAST 44TH STREET TULSA, OK 74145</p>	
		REV B	
		F/N: C-7424-PK-M)B	SHT. 2 OF 2