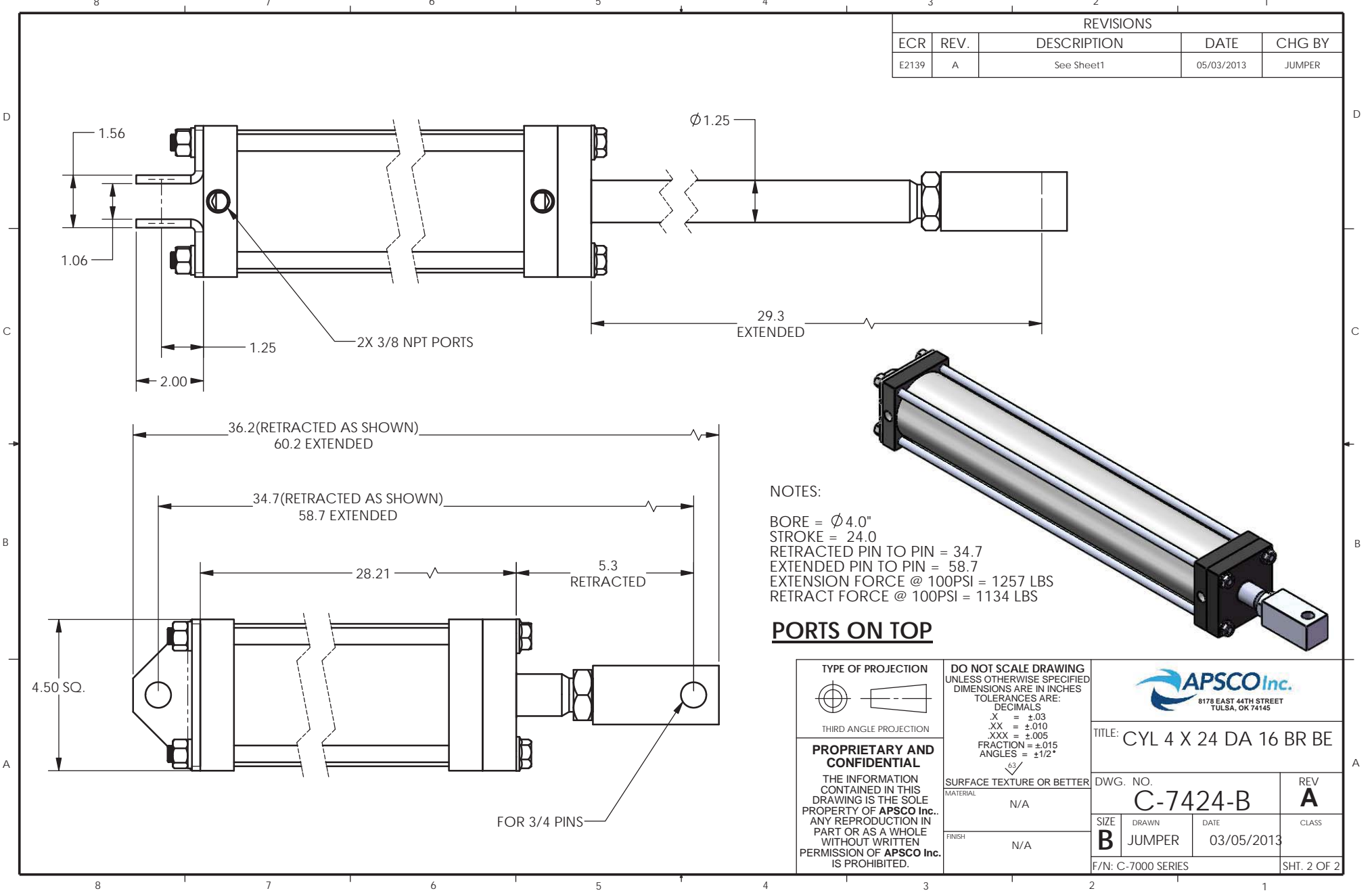
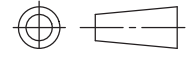



REVISIONS				
ECR	REV.	DESCRIPTION	DATE	CHG BY
E2139	A	See Sheet1	05/03/2013	JUMPER



NOTES:
 BORE = $\phi 4.0"$
 STROKE = 24.0
 RETRACTED PIN TO PIN = 34.7
 EXTENDED PIN TO PIN = 58.7
 EXTENSION FORCE @ 100PSI = 1257 LBS
 RETRACT FORCE @ 100PSI = 1134 LBS

PORTS ON TOP

TYPE OF PROJECTION  THIRD ANGLE PROJECTION	DO NOT SCALE DRAWING UNLESS OTHERWISE SPECIFIED DIMENSIONS ARE IN INCHES TOLERANCES ARE: DECIMALS .X = ± 0.03 .XX = ± 0.010 .XXX = ± 0.005 FRACTION = ± 0.015 ANGLES = $\pm 1/2^\circ$	 8178 EAST 44TH STREET TULSA, OK 74145
PROPRIETARY AND CONFIDENTIAL THE INFORMATION CONTAINED IN THIS DRAWING IS THE SOLE PROPERTY OF APSCO Inc.. ANY REPRODUCTION IN PART OR AS A WHOLE WITHOUT WRITTEN PERMISSION OF APSCO Inc. IS PROHIBITED.	SURFACE TEXTURE OR BETTER MATERIAL N/A FINISH N/A	
TITLE: CYL 4 X 24 DA 16 BR BE		DWG. NO. C-7424-B
SIZE B DRAWN JUMPER DATE 03/05/2013 CLASS		
F/N: C-7000 SERIES		REV A SHT. 2 OF 2