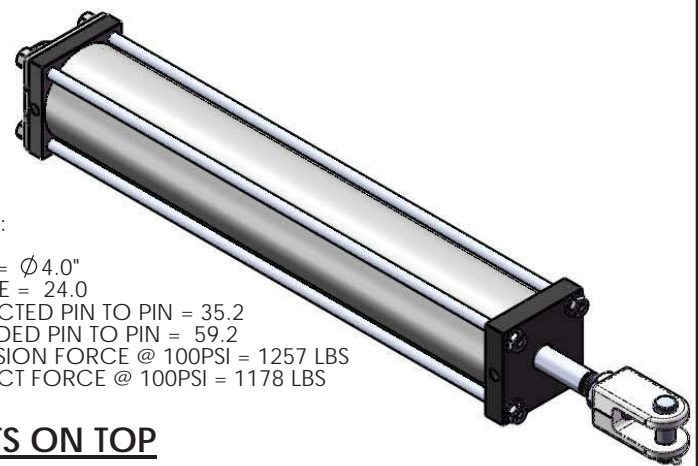
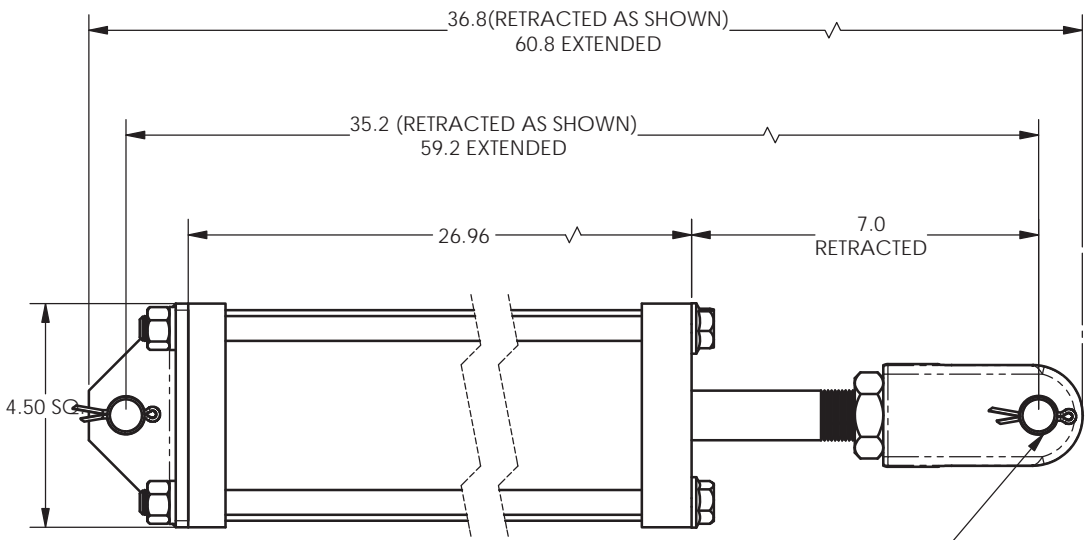
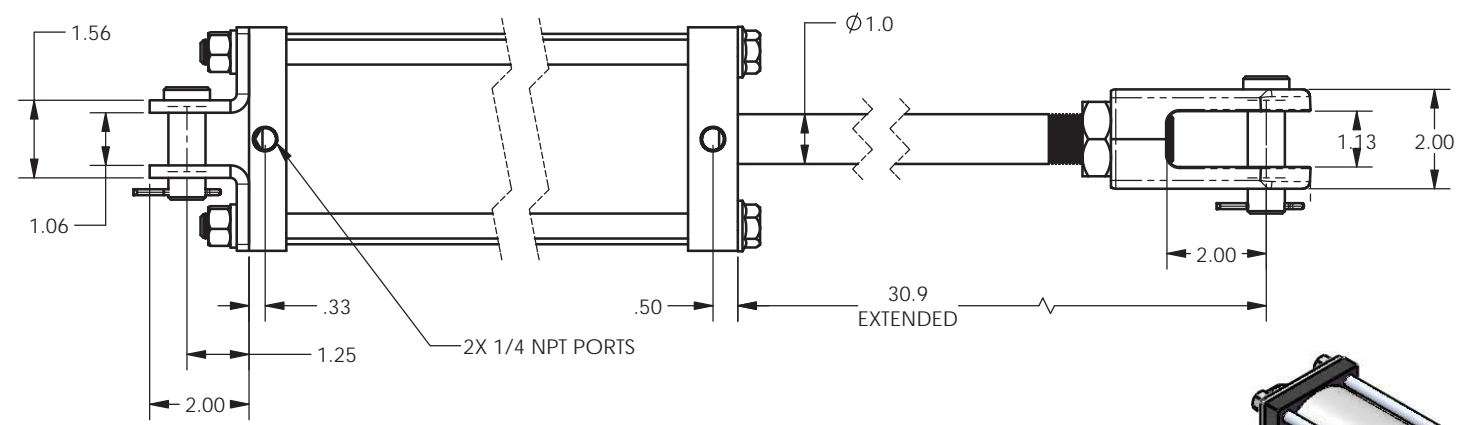


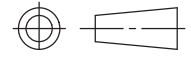

REVISIONS				
ECR	REV.	DESCRIPTION	DATE	CHG BY
E2069	-	See Sheet1	03/13/2013	JUMPER



NOTES:

BORE = $\varnothing 4.0"$
 STROKE = 24.0
 RETRACTED PIN TO PIN = 35.2
 EXTENDED PIN TO PIN = 59.2
 EXTENSION FORCE @ 100PSI = 1257 LBS
 RETRACT FORCE @ 100PSI = 1178 LBS

PORTS ON TOP

TYPE OF PROJECTION  THIRD ANGLE PROJECTION	DO NOT SCALE DRAWING UNLESS OTHERWISE SPECIFIED DIMENSIONS ARE IN INCHES TOLERANCES ARE: DECIMALS .X = $\pm .03$.XX = $\pm .010$.XXX = $\pm .005$ FRACTION = $\pm .015$ ANGLES = $\pm 1/2^\circ$	 8178 EAST 44TH STREET TULSA, OK 74145	
PROPRIETARY AND CONFIDENTIAL THE INFORMATION CONTAINED IN THIS DRAWING IS THE SOLE PROPERTY OF APSCO Inc.. ANY REPRODUCTION IN PART OR AS A WHOLE WITHOUT WRITTEN PERMISSION OF APSCO Inc. IS PROHIBITED.	SURFACE TEXTURE OR BETTER MATERIAL N/A FINISH N/A	DWG. NO. C-7404-PK	REV -
		SIZE B DRAWN JUMPER DATE 03/05/2013 F/N: C-7000 SERIES	CLASS SHT. 2 OF 2