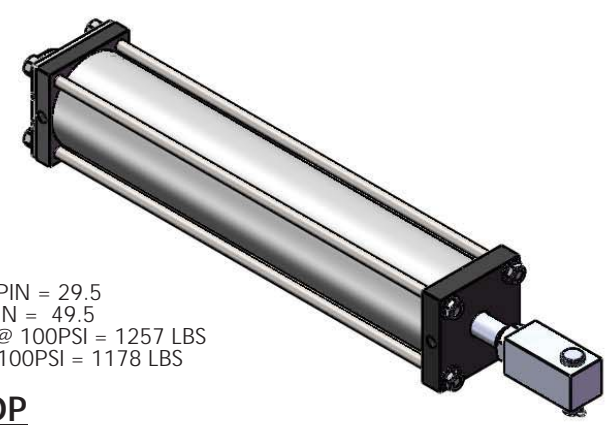
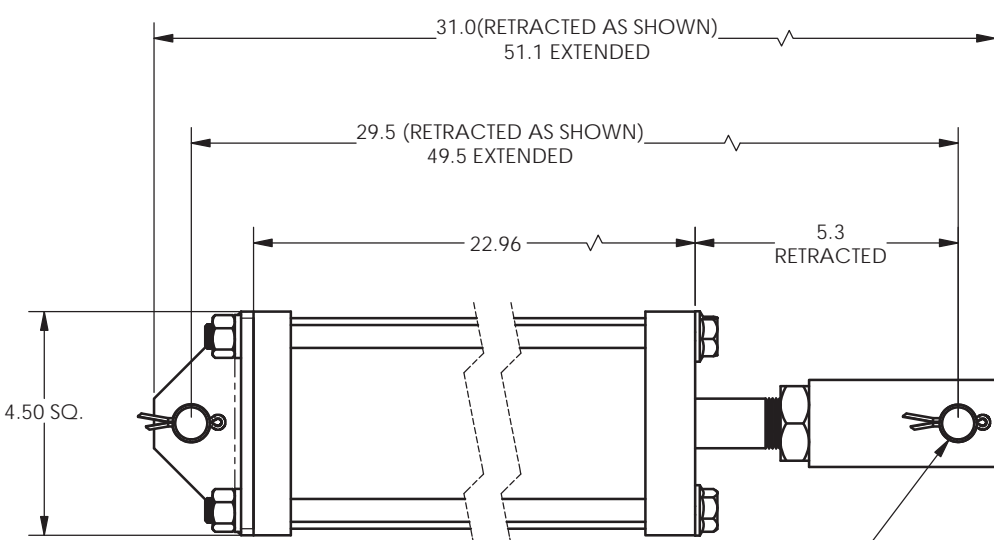
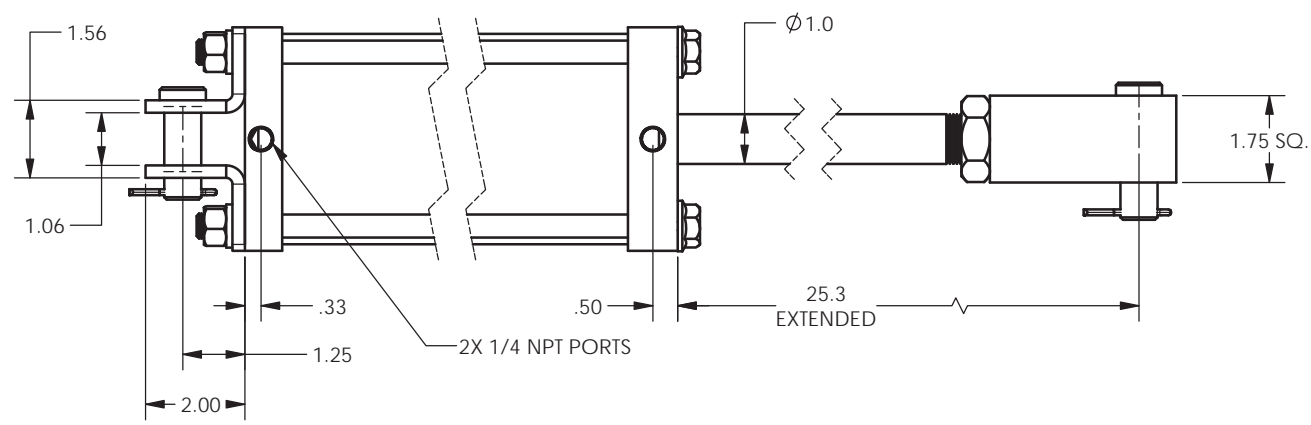
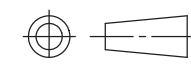



REVISIONS				
ECR	REV.	DESCRIPTION	DATE	CHG BY
E2069	-	See Sheet1	03/13/2013	JUMPER



NOTES:
 BORE = $\varnothing 4.0"$
 STROKE = 20.0
 RETRACTED PIN TO PIN = 29.5
 EXTENDED PIN TO PIN = 49.5
 EXTENSION FORCE @ 100PSI = 1257 LBS
 RETRACT FORCE @ 100PSI = 1178 LBS

PORTS ON TOP

TYPE OF PROJECTION  THIRD ANGLE PROJECTION	DO NOT SCALE DRAWING UNLESS OTHERWISE SPECIFIED DIMENSIONS ARE IN INCHES TOLERANCES ARE: DECIMALS .X = ± 0.03 .XX = ± 0.10 .XXX = ± 0.005 FRACTION = ± 0.015 ANGLES = $\pm 1/2^\circ$	 8178 EAST 44TH STREET TULSA, OK 74145
PROPRIETARY AND CONFIDENTIAL THE INFORMATION CONTAINED IN THIS DRAWING IS THE SOLE PROPERTY OF APSCO Inc.. ANY REPRODUCTION IN PART OR AS A WHOLE WITHOUT WRITTEN PERMISSION OF APSCO Inc. IS PROHIBITED.	SURFACE TEXTURE OR BETTER MATERIAL N/A FINISH N/A	
TITLE: CYL 4 X 20 DA 16 BR PK BE		DWG. NO. C-7402-B-PK
SIZE B DRAWN JUMPER DATE 03/05/2013 CLASS		
F/N: C-7000 SERIES		REV - SHT. 2 OF 2

2X 3/4 PINS