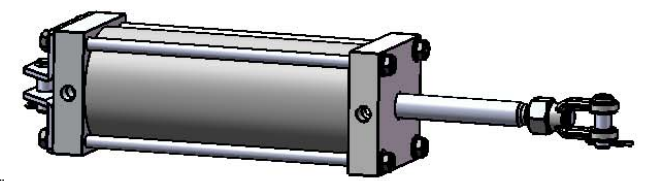
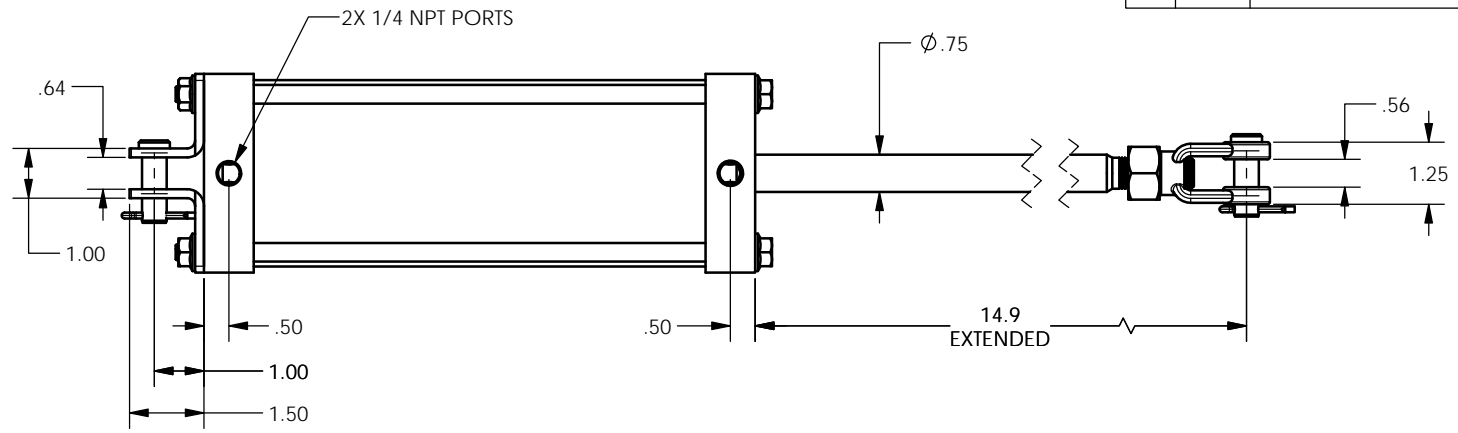
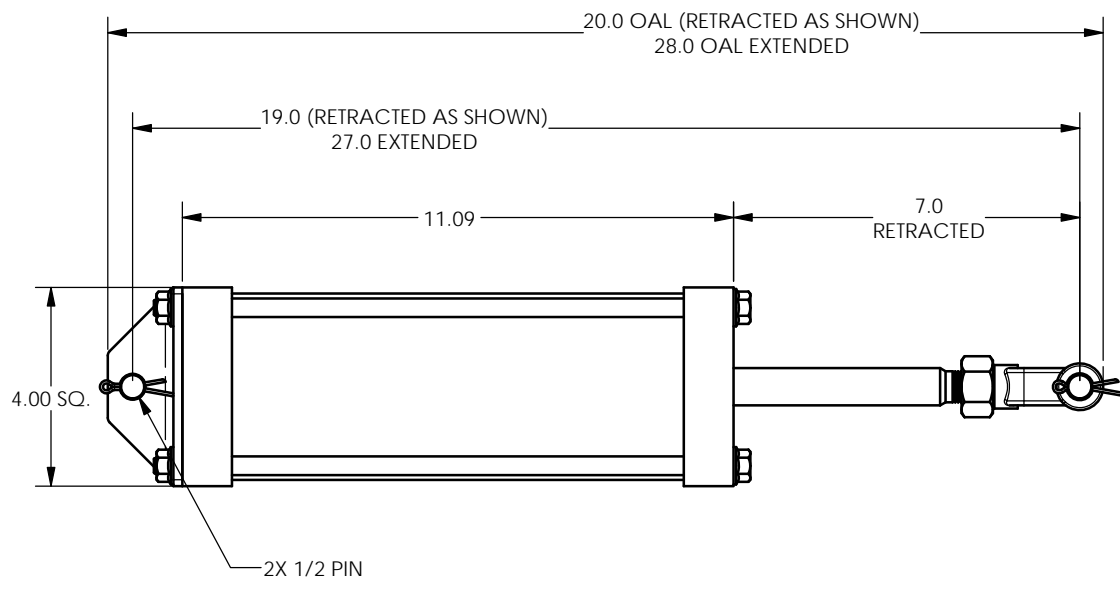


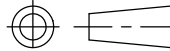
REVISIONS				
ECR	REV.	DESCRIPTION	DATE	CHG BY
E2895	-	See Sheet1	10/2/2015	RR



NOTES:
 BORE = $\phi 3.5"$
 STROKE = 8.0
 RETRACTED PIN TO PIN = 19.0
 EXTENDED PIN TO PIN = 27.0
 EXTENSION FORCE @ 100PSI = 962 LBS
 RETRACT FORCE @ 100PSI = 918 LBS

PORTS ON TOP



ASSEMBLY DO NOT SCALE DRAWING UNLESS OTHERWISE SPECIFIED DIMENSIONS ARE IN INCHES TOLERANCES ARE: .X = ± 0.06 .XX = ± 0.03 .XXX = ± 0.010 ANGLES = $\pm 2^\circ$ SURFACE TEXTURE OR BETTER $\sqrt{6.3}$ TYPE OF PROJECTION  THIRD ANGLE PROJECTION SHEET SIZE B	PROPRIETARY AND CONFIDENTIAL THE INFORMATION CONTAINED IN THIS DRAWING IS THE SOLE PROPERTY OF APSCO Inc.. ANY REPRODUCTION IN PART OR AS A WHOLE WITHOUT WRITTEN PERMISSION OF APSCO Inc. IS PROHIBITED.		TITLE: CYL 3.5 8 DA 10 BR PK	
	DRAWN RR CHECKED DJ APPROVED FH FINAL FH	DATE 10/2/2015 DATE 10/2/2015 DATE 10/2/2015 DATE 10/2/2015	DWG. NO C-6318-PK	
	MATERIAL N/A FINISH N/A		REV -	
	F/N: C-6318-PK		SHT. 2 OF 2	

