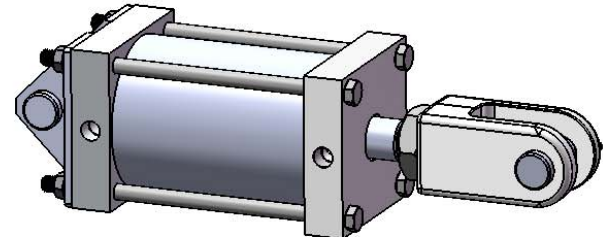
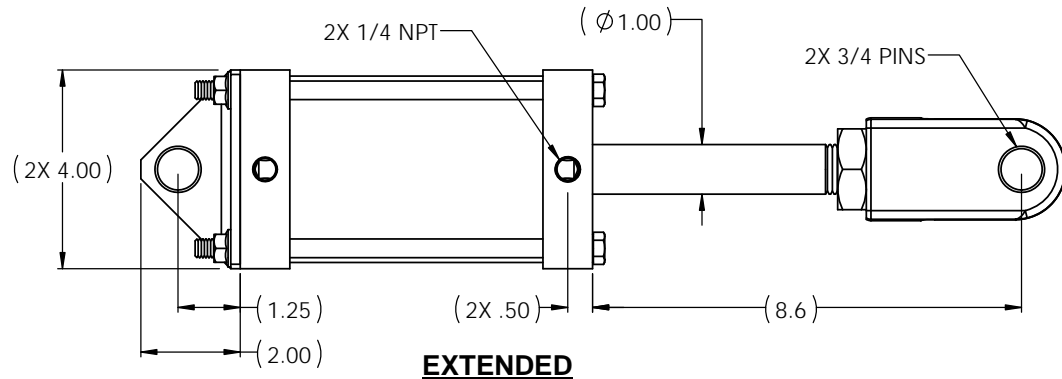


8 7 6 5

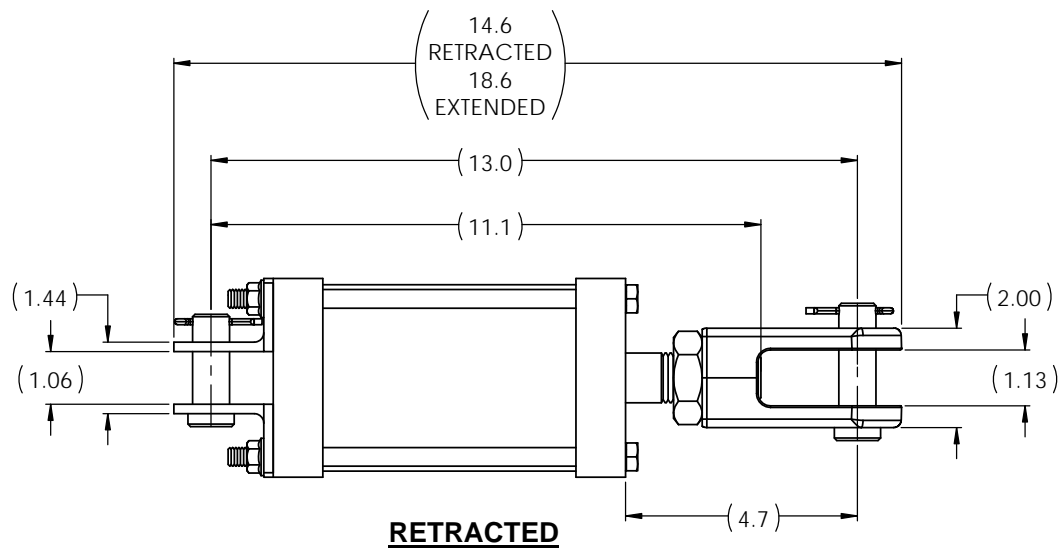
REVISIONS

ECR	REV.	DESCRIPTION	DATE	CHG BY
E3043	-	See Sheet1	4/8/2016	RR



PORTS ON SIDE

BORE = Ø3.5
 STROKE = 4.0
 RETRACTED PIN TO PIN = 13.0
 EXTENDED PIN TO PIN = 17.0
 EXTENSION FORCE @ 100PSI = 962 LBS
 RETRACT FORCE @ 100PSI = 884 LBS



<p>ASSEMBLY DO NOT SCALE DRAWING UNLESS OTHERWISE SPECIFIED DIMENSIONS ARE IN INCHES TOLERANCES ARE: X = ±.06 .XX = ±.03 .XXX = ±.010 ANGLES = ±2° SURFACE TEXTURE OR BETTER 6.3 TYPE OF PROJECTION THIRD ANGLE PROJECTION SHEET SIZE B</p>	<p>PROPRIETARY AND CONFIDENTIAL THE INFORMATION CONTAINED IN THIS DRAWING IS THE SOLE PROPERTY OF APSCO Inc.. ANY REPRODUCTION IN PART OR AS A WHOLE WITHOUT WRITTEN PERMISSION OF APSCO Inc. IS PROHIBITED.</p>	TITLE: CYL 3.5 X 4 DA 16 BR PK	
		DWG. NO. C-6103-PK	
		MATERIAL: N/A	FINISH: N/A
	DRAWN: RR CHECKED: DJ APPROVED: FH FINAL: FH	DATE: 4/8/2016 DATE: 4/8/2016 DATE: 4/8/2016 DATE: 4/8/2016	REV: - F/N: C-6103-PK- SHT. 2 OF 2

8 7 6 5 4 3 2 1