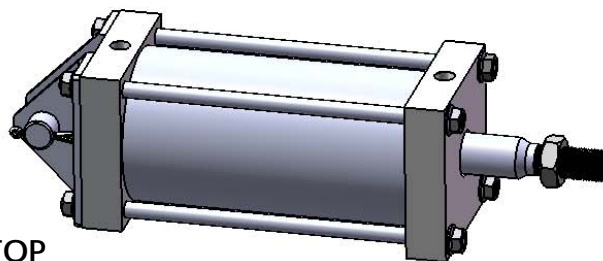
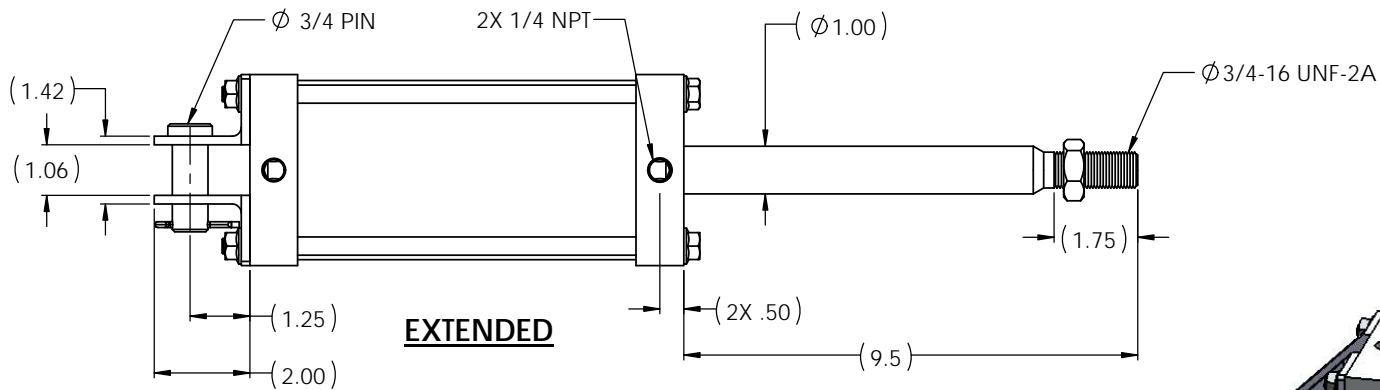
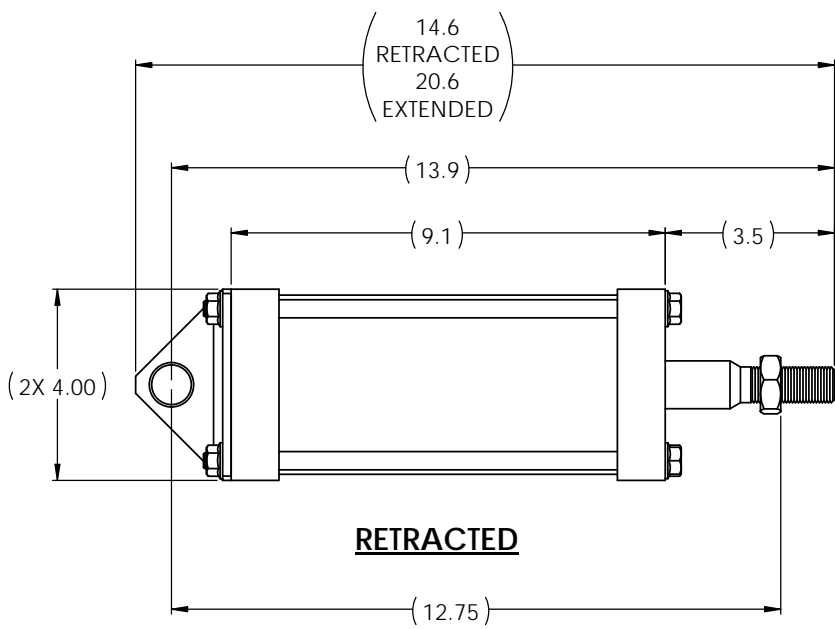


REVISIONS				
ECR	REV.	DESCRIPTION	DATE	CHG BY
E3033	-	See Sheet1	3/31/2016	RR



PORTS ON TOP

BORE = Ø 3.5
 STROKE = 6.0
 RETRACTED PIN TO END OF ROD = 13.9
 EXTENDED PIN TO END OF ROD = 19.9
 EXTENSION FORCE @ 100PSI = 962 LBS
 RETRACT FORCE @ 100PSI = 884 LBS



ASSEMBLY DO NOT SCALE DRAWING UNLESS OTHERWISE SPECIFIED DIMENSIONS ARE IN INCHES TOLERANCES ARE: .X = ±.06 .XX = ±.03 .XXX = ±.010 ANGLES = ±2° SURFACE TEXTURE OR BETTER 6.3 TYPE OF PROJECTION THIRD ANGLE PROJECTION SHEET SIZE B	PROPRIETARY AND CONFIDENTIAL THE INFORMATION CONTAINED IN THIS DRAWING IS THE SOLE PROPERTY OF APSCO Inc.. ANY REPRODUCTION IN PART OR AS A WHOLE WITHOUT WRITTEN PERMISSION OF APSCO Inc. IS PROHIBITED.	TITLE: CYL 3.5 X 6 DA 12 BR P	
	DRAWN RR	DATE 4/20/2016	DWG. NO. C-6102-P
	CHECKED DJ	DATE 4/20/2016	MATERIAL N/A
	APPROVED FH	DATE 4/20/2016	FINISH N/A
FINAL FH	DATE 4/20/2016		
SHEET SIZE B		REV -	
F/N: C-6102-P		SHT. 2 OF 2	