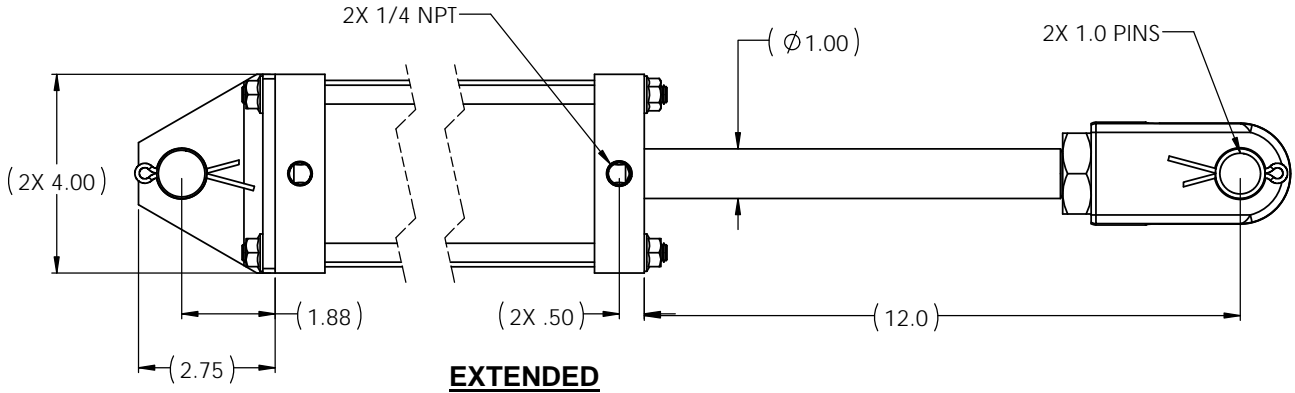
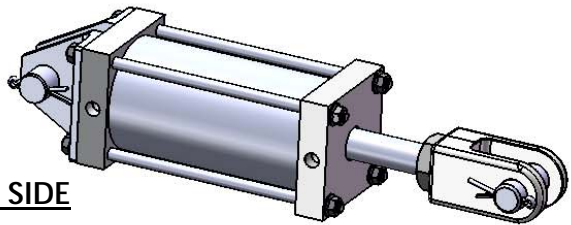


8 7 6 5

REVISIONS				
ECR	REV.	DESCRIPTION	DATE	CHG BY
E3003	-	See Sheet1	2/24/2016	RR

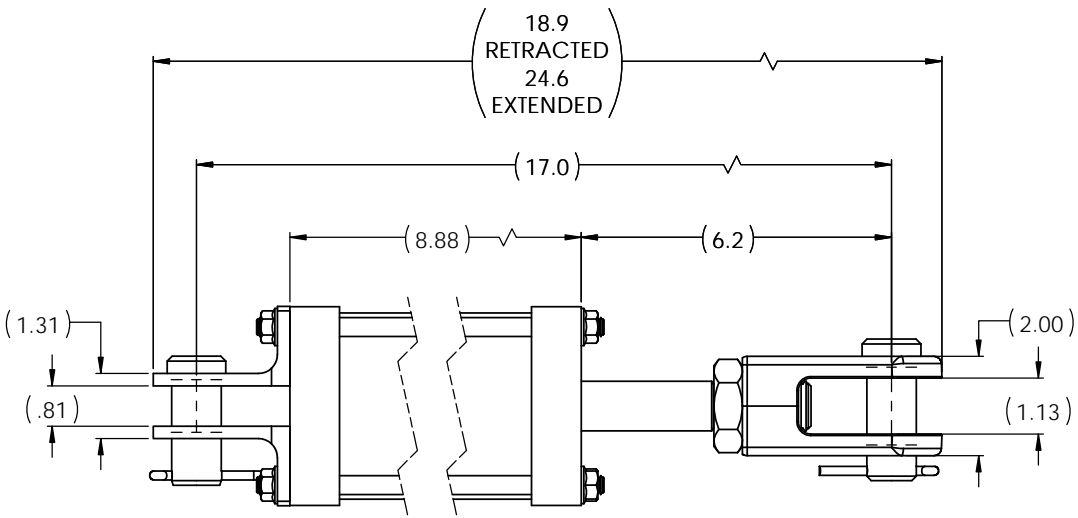


EXTENDED



PORTS ON SIDE

BORE = $\phi 3.5$
 STROKE = 5.8
 RETRACTED PIN TO PIN = 17.0
 EXTENDED PIN TO PIN = 22.7
 EXTENSION FORCE @ 100PSI = 962 LBS
 RETRACT FORCE @ 100PSI = 884 LBS



RETRACTED

<p>ASSEMBLY DO NOT SCALE DRAWING UNLESS OTHERWISE SPECIFIED DIMENSIONS ARE IN INCHES TOLERANCES ARE:</p> <p>.X = ± 06 .XX = ± 03 .XXX = ± 010</p> <p>ANGLES = $\pm 2^\circ$</p> <p>6.3 SURFACE TEXTURE OR BETTER</p> <p>TYPE OF PROJECTION</p> <p>THIRD ANGLE PROJECTION</p> <p>SHEET SIZE B</p>	<p>PROPRIETARY AND CONFIDENTIAL THE INFORMATION CONTAINED IN THIS DRAWING IS THE SOLE PROPERTY OF APSCO Inc. ANY REPRODUCTION IN PART OR AS A WHOLE WITHOUT WRITTEN PERMISSION OF APSCO Inc. IS PROHIBITED.</p>		<p>TITLE: CYL 3.5 X 5.75 DA 16 NS BR PK</p>	
	<p>DRAWN RR DATE 2/16/2016</p>		<p>DWG. NO. C-6097-PK</p>	
	<p>CHECKED DJ DATE 2/16/2016</p>		<p>MATERIAL N/A FINISH N/A</p>	
	<p>APPROVED FH DATE 2/16/2016</p>		<p>REV -</p>	
<p>FINAL FH DATE 02/16/2016</p>		<p>F/N: C-6097-PK</p>		
		<p>SHT. 2 OF 2</p>		

8 7 6 5 4 3 2 1