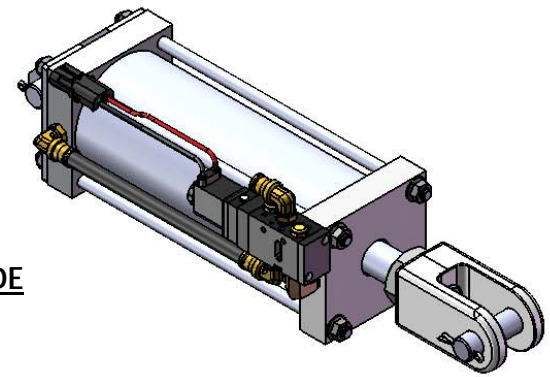
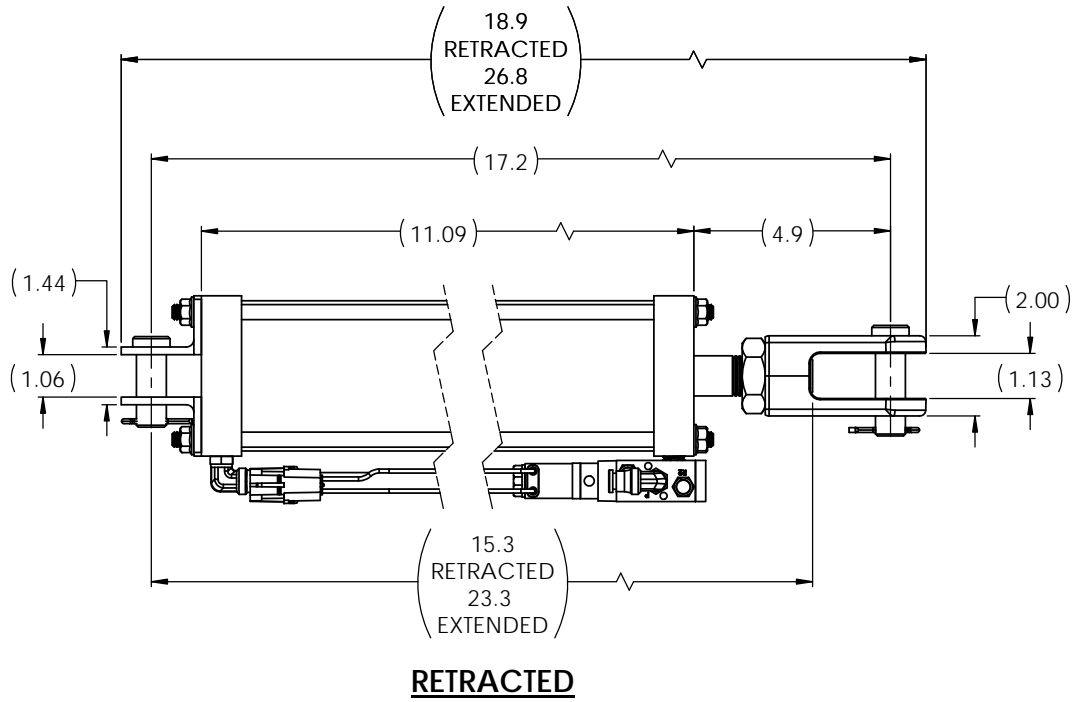
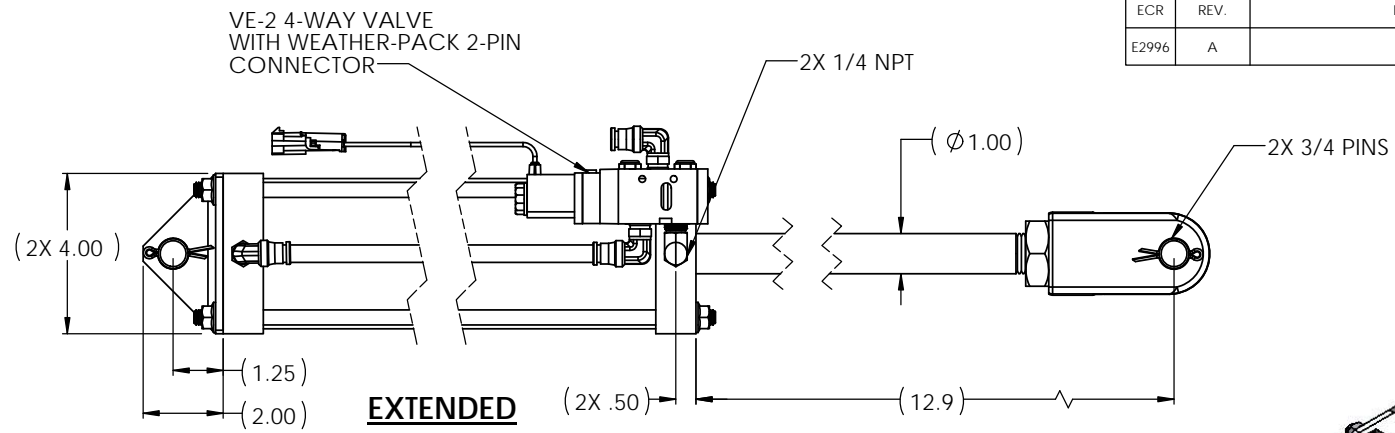
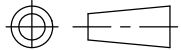



REVISIONS				
ECR	REV.	DESCRIPTION	DATE	CHG BY
E2996	A	See Sheet1	2/12/2016	RR



PORTS ON SIDE

BORE = ϕ 3.5
 STROKE = 8.0
 RETRACTED PIN TO PIN = 17.2
 EXTENDED PIN TO PIN = 25.2
 EXTENSION FORCE @ 100PSI = 962 LBS
 RETRACT FORCE @ 100PSI = 884 LBS

ASSEMBLY DO NOT SCALE DRAWING UNLESS OTHERWISE SPECIFIED DIMENSIONS ARE IN INCHES TOLERANCES ARE: .X = \pm .06 .XX = \pm .03 .XXX = \pm .010 ANGLES = \pm 2° ^{6.3} SURFACE TEXTURE OR BETTER	PROPRIETARY AND CONFIDENTIAL THE INFORMATION CONTAINED IN THIS DRAWING IS THE SOLE PROPERTY OF APSCO Inc.. ANY REPRODUCTION IN PART OR AS A WHOLE WITHOUT WRITTEN PERMISSION OF APSCO Inc. IS PROHIBITED.	TITLE: CYL 3.5 X 8 DA 16NS BR PK	
		DWG. NO. C-6096-E-WP-PK	
TYPE OF PROJECTION  THIRD ANGLE PROJECTION SHEET SIZE B	DRAWN RR	DATE 1/27/2016	MATERIAL N/A
	CHECKED DJ	DATE 1/27/2016	FINISH N/A
	APPROVED FH	DATE 1/27/2016	 8175 EAST 44TH STREET TULSA, OK 74145
	FINAL FH	DATE 1/27/2016	
F/N: C-6096-E- WP-PK)A			SHT. 2 OF 2