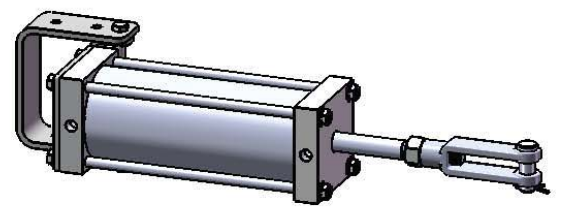
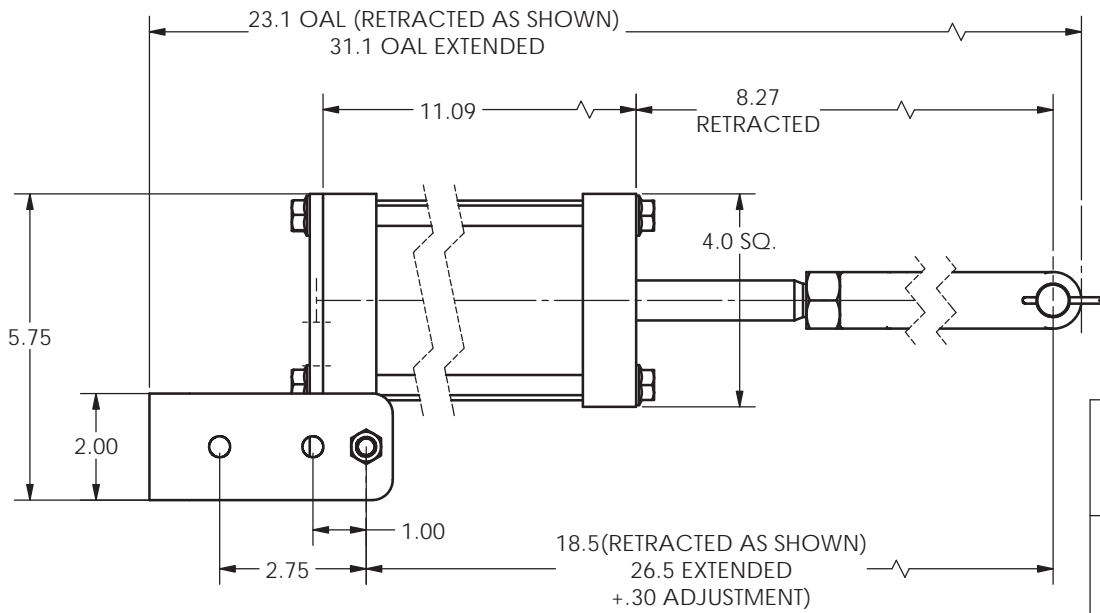
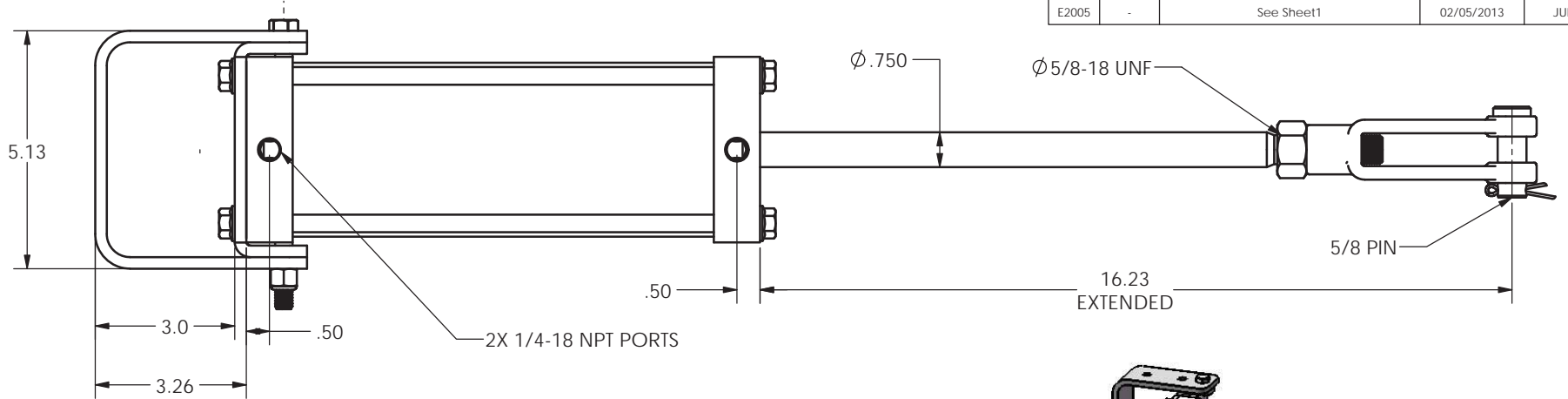
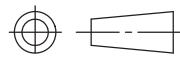



REVISIONS				
ECR	REV.	DESCRIPTION	DATE	APPROVED
E2005	-	See Sheet1	02/05/2013	JUMPER



NOTES:
 BORE = Ø 3.5"
 STROKE = 8.0
 RETRACTED = 18.5
 EXTENDED = 26.5
 EXTENSION FORCE @ 100PSI= 962 LBS
 RETRACT FORCE @ 100PSI= 918 LBS

PORTS ON TOP

TYPE OF PROJECTION  THIRD ANGLE PROJECTION	DO NOT SCALE DRAWING UNLESS OTHERWISE SPECIFIED DIMENSIONS ARE IN INCHES TOLERANCES ARE: DECIMALS X = ±.03 .XX = ±.010 .XXX = ±.005 FRACTION = ±.015 ANGLES = ±1/2°	 8178 EAST 44TH STREET TULSA, OK 74145	
		TITLE: CYL. 3.5X8 DA 10 BR	
PROPRIETARY AND CONFIDENTIAL THE INFORMATION CONTAINED IN THIS DRAWING IS THE SOLE PROPERTY OF APSCO Inc.. ANY REPRODUCTION IN PART OR AS A WHOLE WITHOUT WRITTEN PERMISSION OF APSCO Inc. IS PROHIBITED.	SURFACE TEXTURE OR BETTER MATERIAL: N/A	DWG. NO. C-6092-HM-PK	REV -
	FINISH: N/A	SIZE: B	DRAWN: JUMPER
F/N: C-6000 SERIES MASTER			CLASS: CYL
SHT. 2 OF 2			