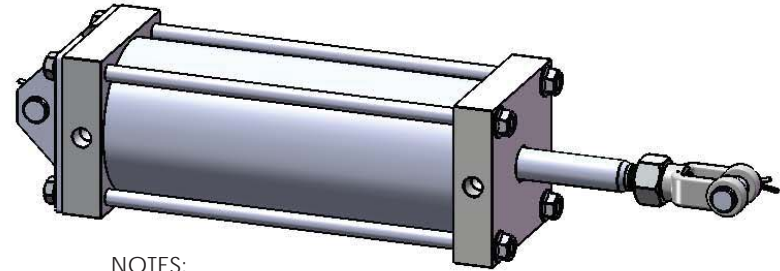
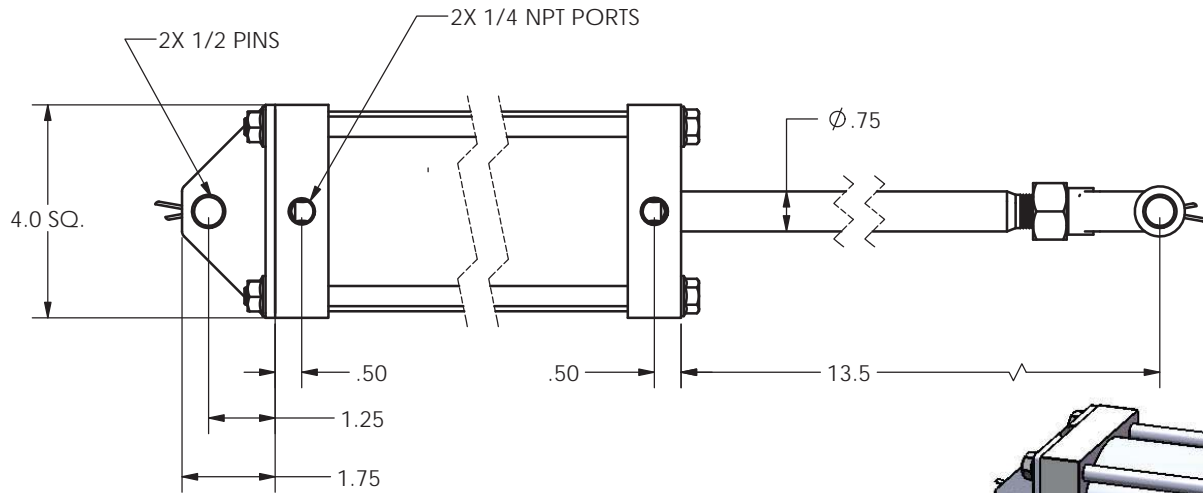


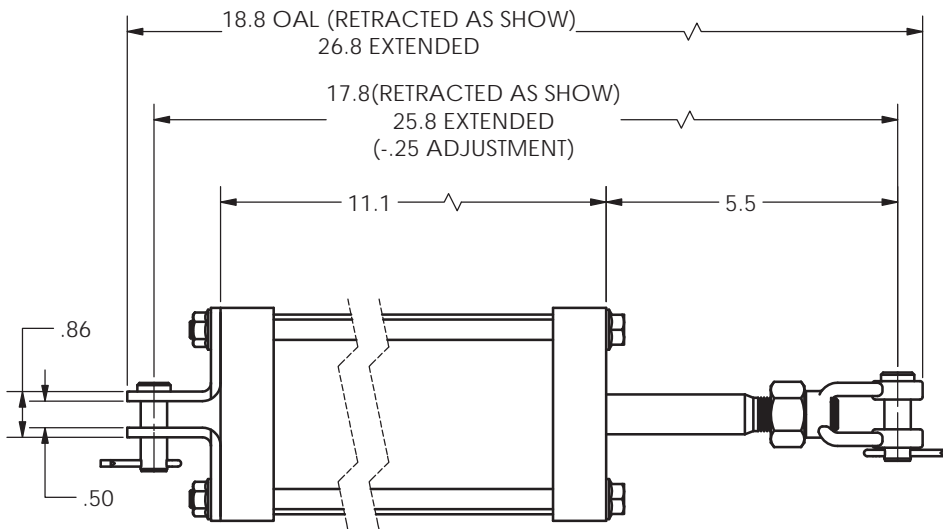
REVISIONS				
ECR	REV.	DESCRIPTION	DATE	APPROVED
E2146	-	See Sheet1	05/16/2013	JUMPER

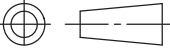



NOTES:

BORE = ϕ 3.5"
 STROKE = 8.0
 RETRACTED = 17.8
 EXTENDED = 25.8
 EXTENSION FORCE @ 100PSI= 962 LBS
 RETRACT FORCE @ 100PSI= 918 LBS

PORTS ON SIDE



TYPE OF PROJECTION  THIRD ANGLE PROJECTION	DO NOT SCALE DRAWING UNLESS OTHERWISE SPECIFIED DIMENSIONS ARE IN INCHES TOLERANCES ARE: DECIMALS X = \pm .03 .XX = \pm .010 .XXX = \pm .005 FRACTION = \pm .015 ANGLES = \pm 1/2°	 8178 EAST 44TH STREET TULSA, OK 74145	
		TITLE: CYL 3.5 X 8 DA 10 BR	
PROPRIETARY AND CONFIDENTIAL THE INFORMATION CONTAINED IN THIS DRAWING IS THE SOLE PROPERTY OF APSCO Inc.. ANY REPRODUCTION IN PART OR AS A WHOLE WITHOUT WRITTEN PERMISSION OF APSCO Inc. IS PROHIBITED.	SURFACE TEXTURE OR BETTER MATERIAL: N/A	DWG. NO. C-6089-PK	REV. -
	FINISH: N/A	SIZE B DRAWN JUMPER DATE 09/01/2011 CLASS CYL	F/N: C-6000 SERIES MASTER SHT. 2 OF 2