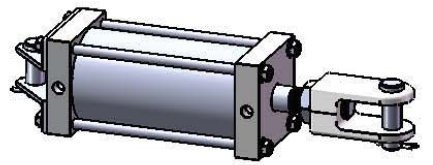
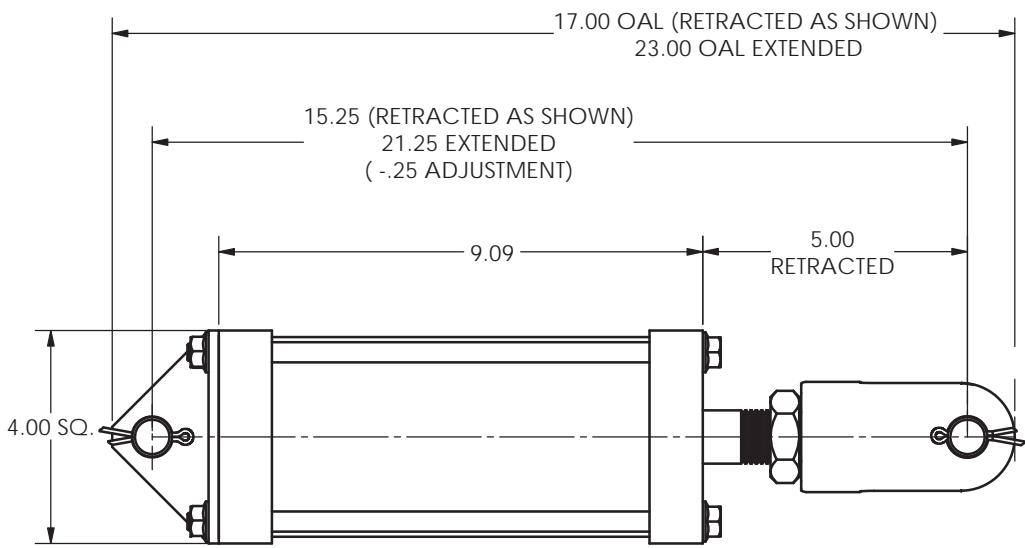
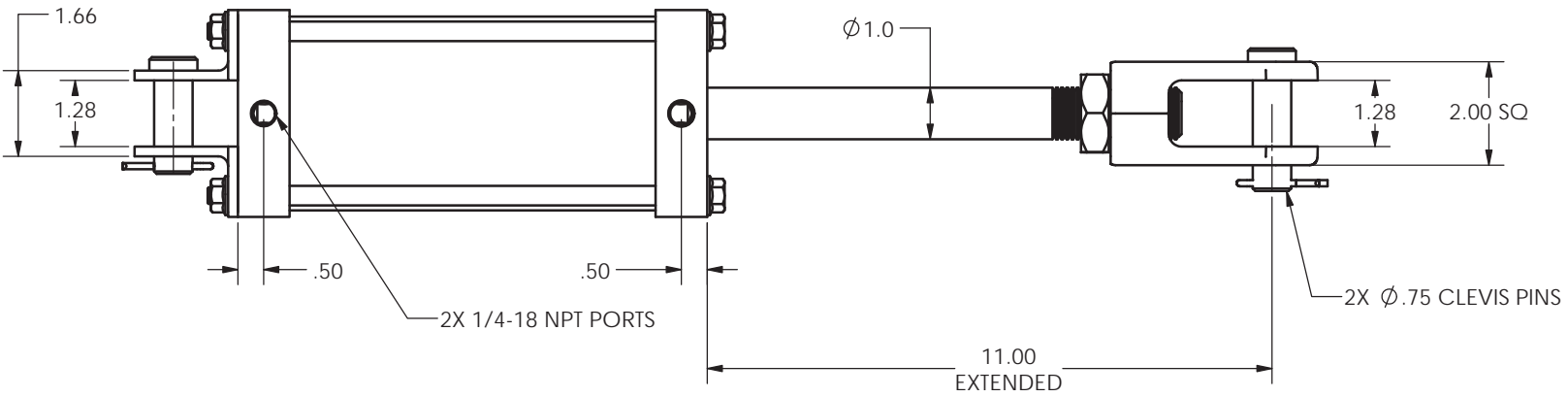
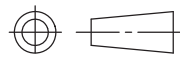



REVISIONS				
ECR	REV.	DESCRIPTION	DATE	APPROVED
E2235	C	See Sheet1	08/08/2013	JUMPER



NOTES:
 BORE = Ø3.5"
 STROKE = 6.0
 RETRACTED = 15.25
 EXTENDED = 21.25
 EXTENSION FORCE @ 100PSI= 962 LBS
 RETRACT FORCE @ 100PSI= 883 LBS

PORTS ON TOP

TYPE OF PROJECTION  THIRD ANGLE PROJECTION	DO NOT SCALE DRAWING UNLESS OTHERWISE SPECIFIED DIMENSIONS ARE IN INCHES TOLERANCES ARE: DECIMALS X = ±.03 .XX = ±.010 .XXX = ±.005 FRACTION = ±.015 ANGLES = ±1/2°	 8178 EAST 44TH STREET TULSA, OK 74145	
		TITLE: CYL. 3.5 X6 DA 16NS BR PIN KIT	
PROPRIETARY AND CONFIDENTIAL THE INFORMATION CONTAINED IN THIS DRAWING IS THE SOLE PROPERTY OF APSCO Inc. ANY REPRODUCTION IN PART OR AS A WHOLE WITHOUT WRITTEN PERMISSION OF APSCO Inc. IS PROHIBITED.	SURFACE TEXTURE OR BETTER MATERIAL N/A	DWG. NO.	REV
	FINISH N/A	B	C-6086-PK JUMPER
F/N: C-6000 SERIES MASTER			DATE 09/01/2011 CLASS SHT. 2 OF 2