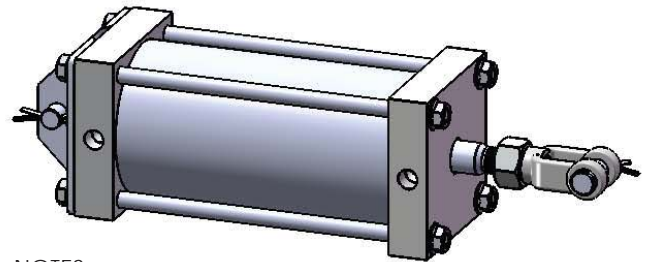
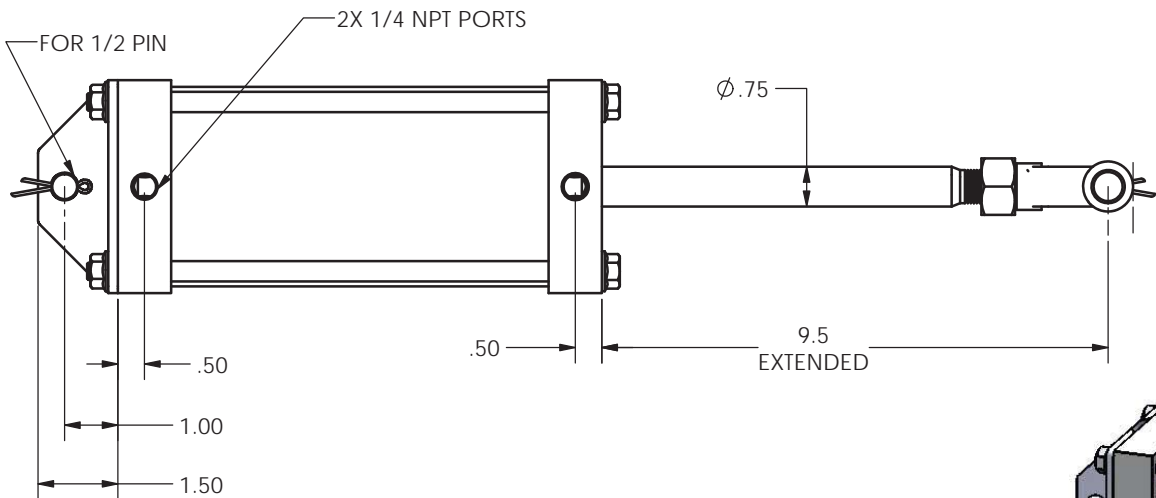


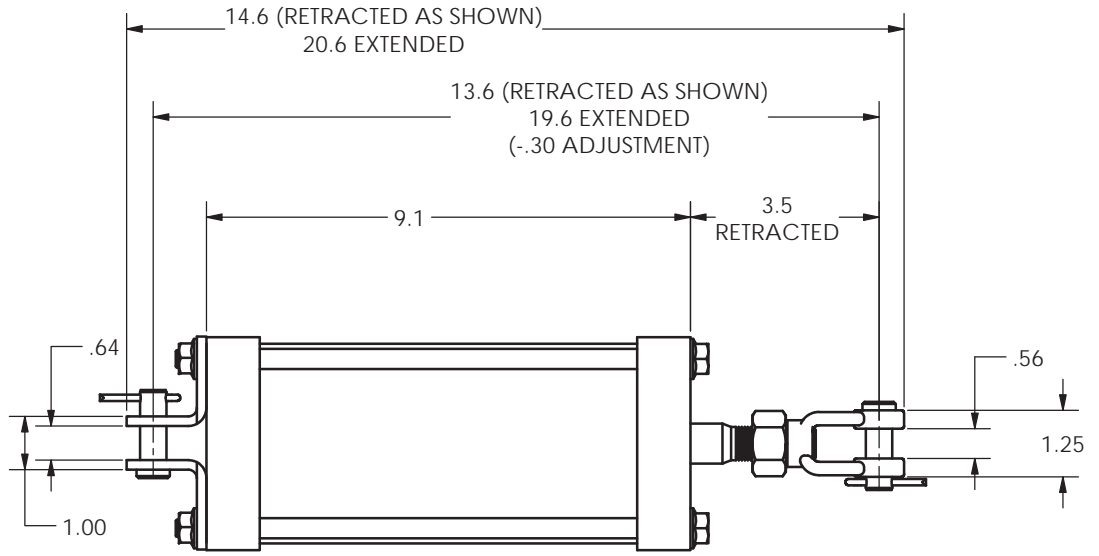
REVISIONS				
ECR	REV.	DESCRIPTION	DATE	CHG BY
E2245	-	See Sheet1	08/21/2013	JUMPER

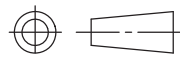


**NOTES:**

BORE = Ø 3.5"  
 STROKE = 6.0  
 RETRACTED = 13.6  
 EXTENDED = 19.6  
 EXTENSION FORCE @ 100PSI= 962 LBS  
 RETRACT FORCE @ 100PSI= 918 LBS

**PORTS ON SIDE**



**TYPE OF PROJECTION**  
  
 THIRD ANGLE PROJECTION

**PROPRIETARY AND CONFIDENTIAL**  
 THE INFORMATION CONTAINED IN THIS DRAWING IS THE SOLE PROPERTY OF APSCO Inc.. ANY REPRODUCTION IN PART OR AS A WHOLE WITHOUT WRITTEN PERMISSION OF APSCO Inc. IS PROHIBITED.

**DO NOT SCALE DRAWING**  
 UNLESS OTHERWISE SPECIFIED DIMENSIONS ARE IN INCHES  
 TOLERANCES ARE:  
 DECIMALS  
 X = ±.03  
 .XX = ±.010  
 .XXX = ±.005  
 FRACTION = ±.015  
 ANGLES = ±1/2°

**SURFACE TEXTURE OR BETTER**  
 MATERIAL N/A  
 FINISH N/A



8178 EAST 44TH STREET  
 TULSA, OK 74145

TITLE: **CYL 3.5 X 6 DA 10 BR PIN KIT**

DWG. NO.	REV		
<b>C-6084-PK</b>	-		
SIZE	DRAWN	DATE	CLASS
<b>B</b>	JUMPER	09/01/2011	CYL

F/N: C-6000 SERIES MASTER SHT. 2 OF 2