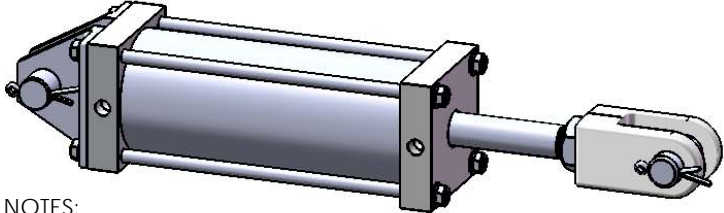
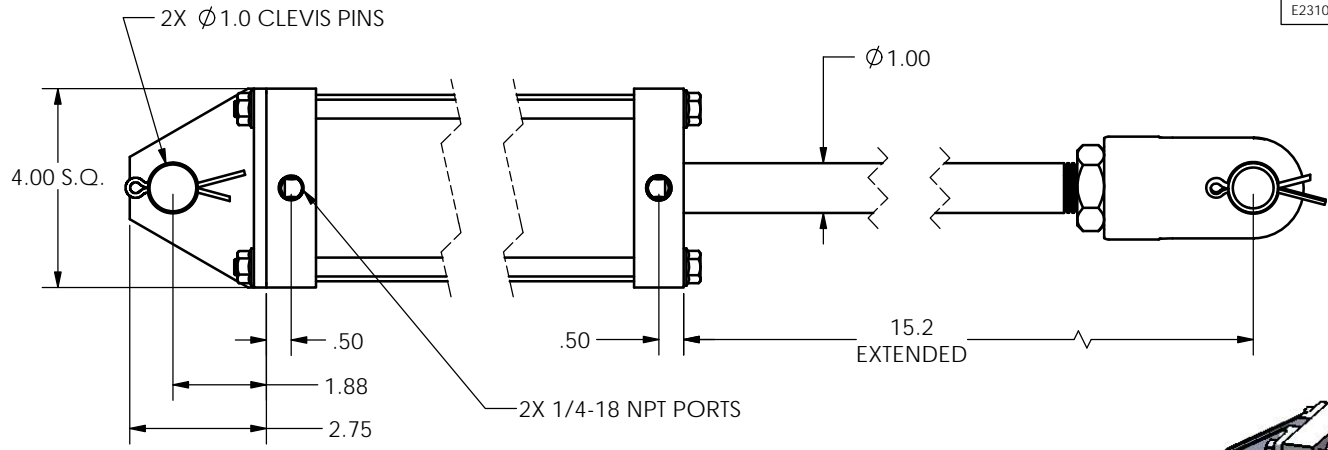


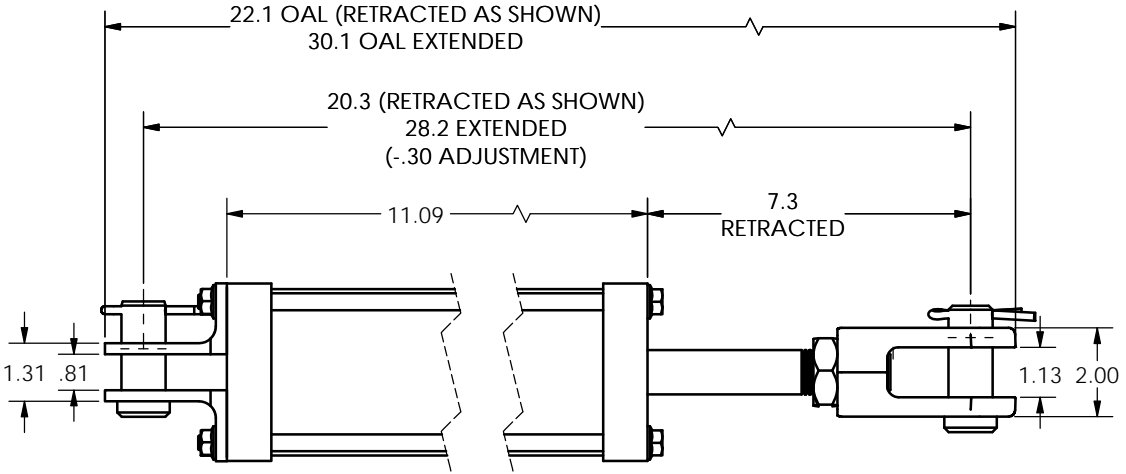
REVISIONS				
ECR	REV.	DESCRIPTION	DATE	APPROVED
E2310	-	See Sheet1	06/23/2014	PEREZ

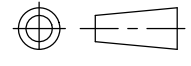



NOTES:

BORE = $\varnothing 3.5"$
 STROKE = 7.9
 RETRACTED PIN TO PIN = 20.3
 EXTENDED PIN TO PIN = 28.2
 EXTENSION FORCE @ 100PSI= 962 LBS
 RETRACT FORCE @ 100PSI= 884 LBS

PORTS ON SIDE



TYPE OF PROJECTION  THIRD ANGLE PROJECTION	DO NOT SCALE DRAWING UNLESS OTHERWISE SPECIFIED DIMENSIONS ARE IN INCHES TOLERANCES ARE: DECIMALS .X = $\pm .03$.XX = $\pm .010$.XXX = $\pm .005$ FRACTION = $\pm .015$ ANGLES = $\pm 1/2^\circ$	 8178 EAST 44TH STREET TULSA, OK 74145			
		PROPRIETARY AND CONFIDENTIAL THE INFORMATION CONTAINED IN THIS DRAWING IS THE SOLE PROPERTY OF APSCO Inc.. ANY REPRODUCTION IN PART OR AS A WHOLE WITHOUT WRITTEN PERMISSION OF APSCO Inc. IS PROHIBITED.	SURFACE TEXTURE OR BETTER MATERIAL N/A FINISH N/A	TITLE: CYL 3.5 X 8 DA 16NS BR PK	DWG. NO. C-6081-PK
		SIZE B	DRAWN PEREZ	DATE 06/23/2014	REV -
		F/N: C-6000 SERIES MASTER		CLASS CYL	SHT. 2 OF 2