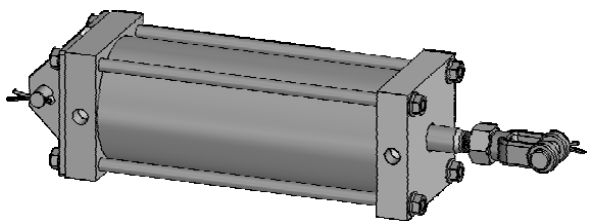
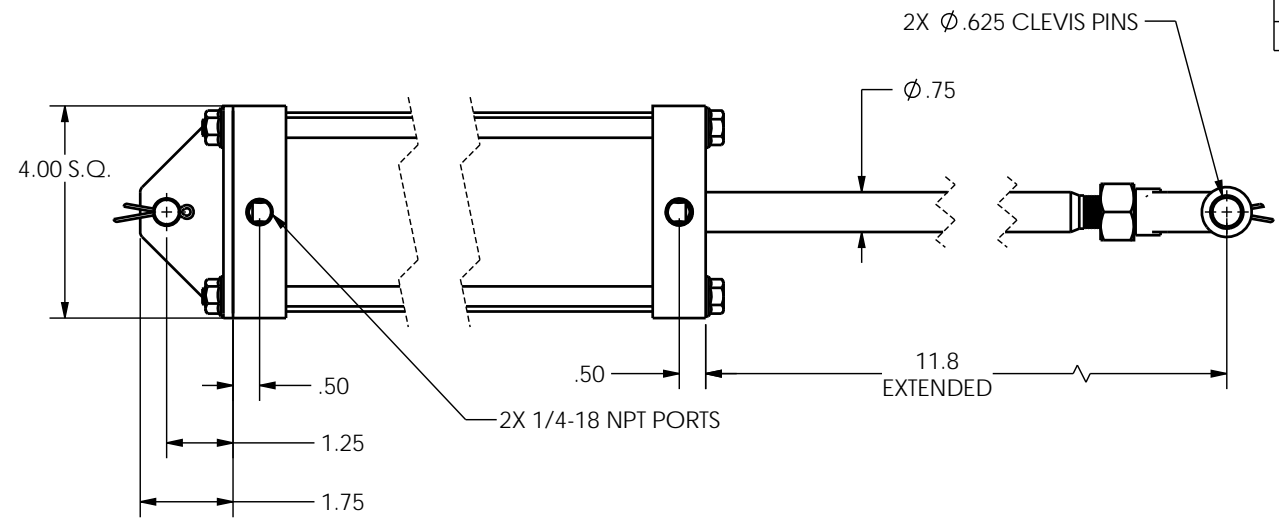


8 7 6 5 4 3 2 1

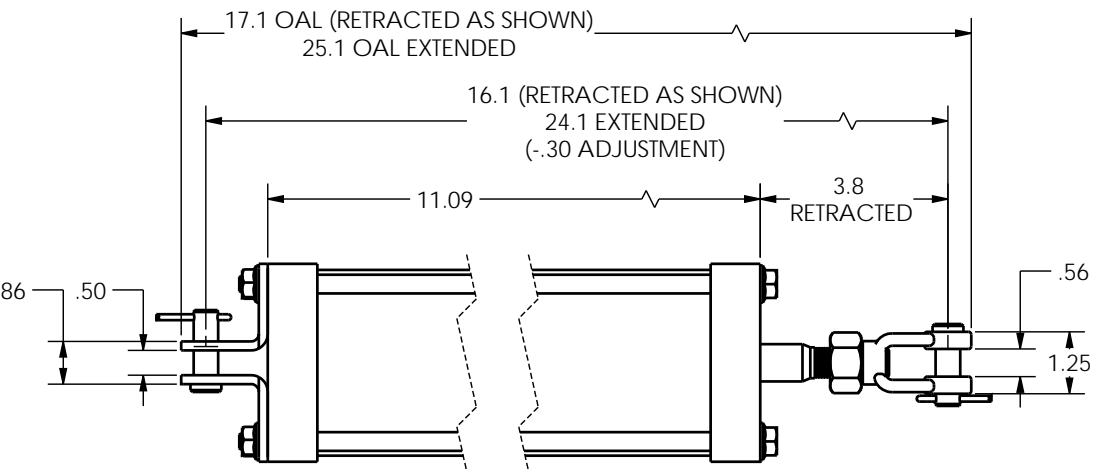
REVISIONS				
ECR	REV.	DESCRIPTION	DATE	APPROVED
E2304	-	See Sheet1	05/28/2014	PEREZ

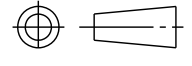



NOTES:

BORE = Ø 3.5"
 STROKE = 8.0
 RETRACTED PIN TO PIN = 16.1
 EXTENDED PIN TO PIN = 24.1
 EXTENSION FORCE @ 100PSI= 962 LBS
 RETRACT FORCE @ 100PSI= 918 LBS

PORTS ON SIDE



TYPE OF PROJECTION  THIRD ANGLE PROJECTION	DO NOT SCALE DRAWING UNLESS OTHERWISE SPECIFIED DIMENSIONS ARE IN INCHES TOLERANCES ARE: DECIMALS .X = ±.03 .XX = ±.010 .XXX = ±.005 FRACTION = ±.015 ANGLES = ±1/2°	 8178 EAST 44TH STREET TULSA, OK 74145	
		TITLE: CYL 3.5 X 8 DA 8 BR PK	
PROPRIETARY AND CONFIDENTIAL THE INFORMATION CONTAINED IN THIS DRAWING IS THE SOLE PROPERTY OF APSCO Inc.. ANY REPRODUCTION IN PART OR AS A WHOLE WITHOUT WRITTEN PERMISSION OF APSCO Inc. IS PROHIBITED.	SURFACE TEXTURE OR BETTER MATERIAL: N/A	DWG. NO. C-6068-PK	REV -
	FINISH: N/A	SIZE B DRAWN: PEREZ DATE: 05/30/2014	CLASS CYL
F/N: C-6000 SERIES MASTER			SHT. 2 OF 2

8 7 6 5 4 3 2 1