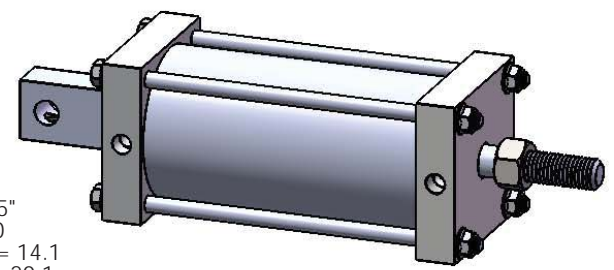
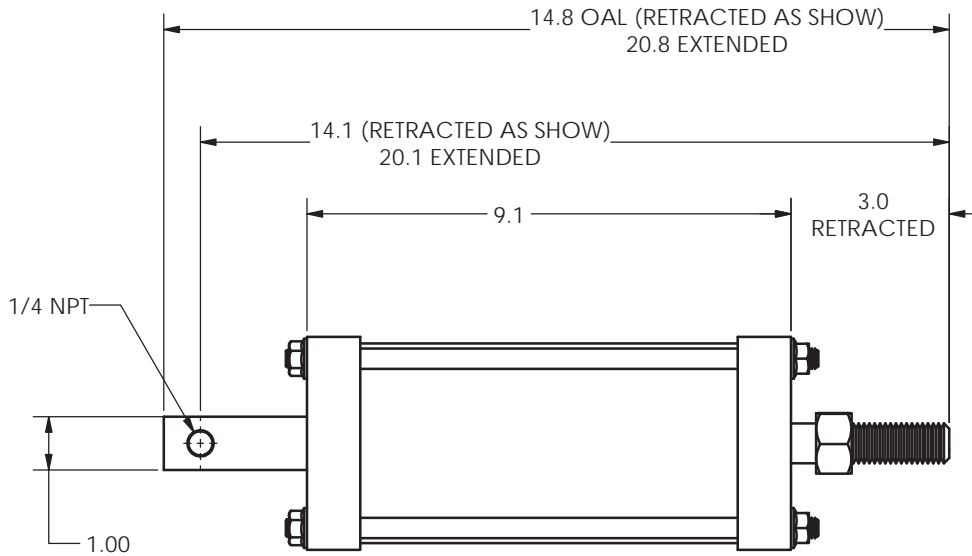
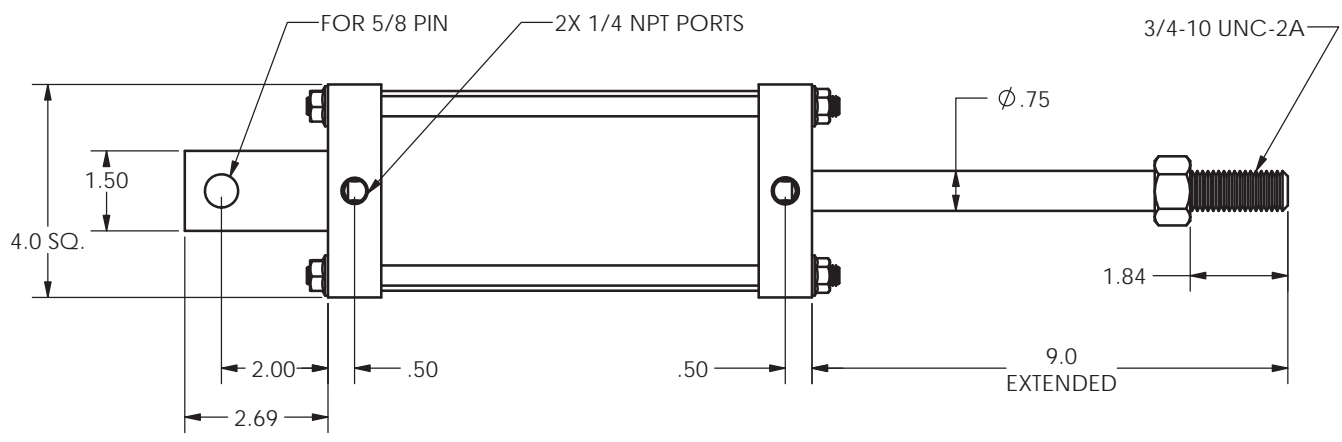


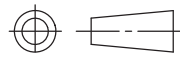

REVISIONS				
ECR	REV.	DESCRIPTION	DATE	APPROVED
E2146	B	See Sheet1	05/16/2013	JUMPER



NOTES:

BORE = $\phi 3.5"$
 STROKE = 6.0
 RETRACTED = 14.1
 EXTENDED = 20.1
 EXTENSION FORCE @ 100PSI= 962 LBS
 RETRACT FORCE @ 100PSI= 918 LBS

PORTS ON SIDE

TYPE OF PROJECTION  THIRD ANGLE PROJECTION	DO NOT SCALE DRAWING UNLESS OTHERWISE SPECIFIED DIMENSIONS ARE IN INCHES TOLERANCES ARE: DECIMALS X = ± 0.03 XX = ± 0.10 XXX = ± 0.005 FRACTION = ± 0.015 ANGLES = $\pm 1/2^\circ$	 8178 EAST 44TH STREET TULSA, OK 74145	
PROPRIETARY AND CONFIDENTIAL THE INFORMATION CONTAINED IN THIS DRAWING IS THE SOLE PROPERTY OF APSCO Inc. ANY REPRODUCTION IN PART OR AS A WHOLE WITHOUT WRITTEN PERMISSION OF APSCO Inc. IS PROHIBITED.	SURFACE TEXTURE OR BETTER MATERIAL N/A	DWG. NO. C-6063	
	FINISH N/A	SIZE B	DRAWN JUMPER
F/N: C-6000 SERIES MASTER			REV B CLASS CYL
			SHT. 2 OF 2